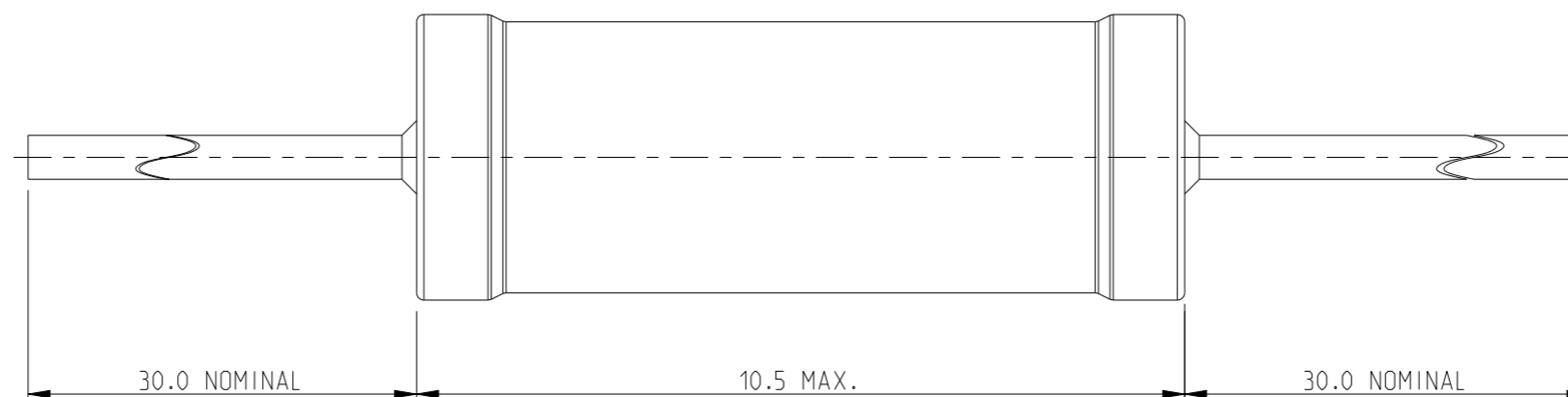
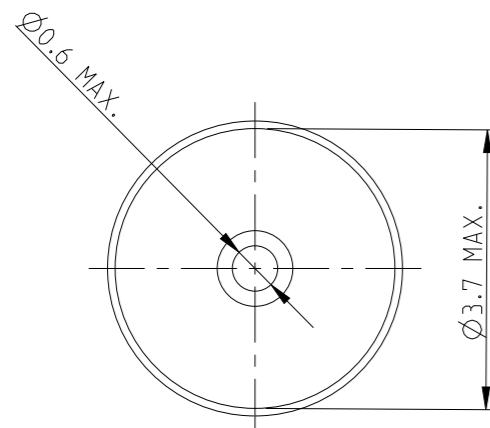
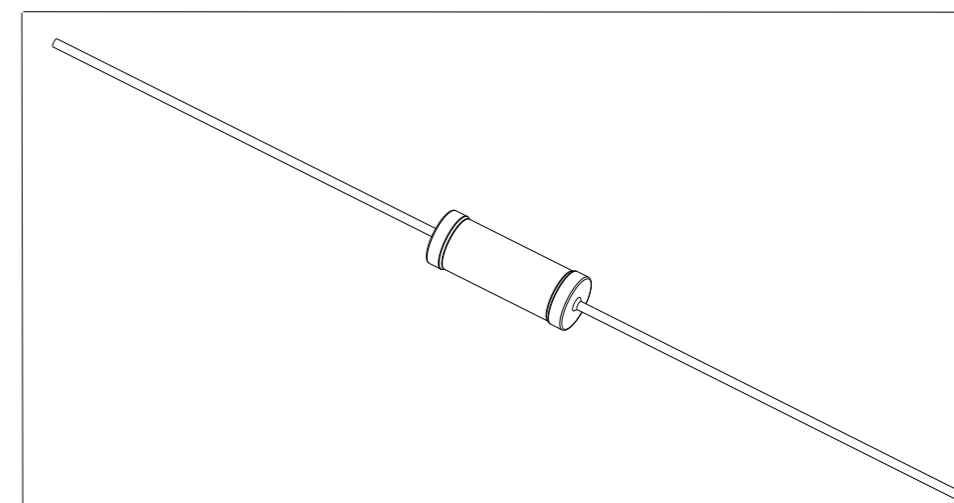


P	LTR	DESCRIPTION	DATE	DWN	APVD
	BA	NEW RELEASE	10JUNE2010	PT	St.P
	BA1	DIMENSION UPDATE AND SCHEDULE ADDED	03MAY2023	DM	AP

FOR FURTHER INFORMATION SEE DATA SHEET FOR SERIES HOLCO, AXIAL LEADED PRECISION RESISTORS



RoHS Compliant



THIS DRAWING IS A CONTROLLED DOCUMENT.

DIMENSIONS:	TOLERANCES UNLESS OTHERWISE SPECIFIED:
mm	
	0 PLC ±0.2
	1 PLC ±0.1
	2 PLC ±-
	3 PLC ±-
	4 PLC ±-
	ANGLES ±5°
MATERIAL	FINISH
-	-
-	-

DWN	10JUNE2010
CHK	10JUNE2010
APVD	10JUNE2010
PRODUCT SPEC	-
APPLICATION SPEC	-
WEIGHT	-
CUSTOMER DRAWING	

TE Connectivity		NAME	
		AXIAL LEADED PRECISION RESISTORS - TYPE H4 SERIES	
SIZE	CAGE CODE	DRAWING NO	RESTRICTED TO
A3	00779	C=1879623	-
SCALE		SHEET	REV
10:1		1 OF 3	BA1

REVISIONS


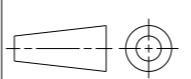
P	LTR	DESCRIPTION	DATE	DWN	APVD
	-	SEE SHEET 1	-	-	-

SCHEDULE

TCPN	CATALOGUE NUMBER	PART DESCRIPTION	PART STATUS
1879623-1	H4560RABA	H4 560R 0.05% 10PPM	PRODUCTION
1879623-2	H4680RABA	H4 680R 0.05% 10PPM	PRODUCTION
1879623-3	H415KAYA	H4 15K 0.05% 15PPM	PRODUCTION
1879623-4	H4680KAYA	H4 680K 0.05% 15PPM	PRODUCTION
1879623-5	H46K98AYA	H4 6K98 0.05% 15PPM	PRODUCTION
1879623-6	H410KBAA	H4 10K 0.1% 5PPM	PRODUCTION
1879623-7	H4150KBAA	H4 150K 0.1% 5PPM	PRODUCTION
1879623-8	H41K3BAA	H4 1K3 0.1% 5PPM	PRODUCTION
1879623-9	H4330RBAA	H4 330R 0.1% 5PPM	PRODUCTION
1-1879623-0	H439KBAA	H4 39K 0.1% 5PPM	PRODUCTION
1-1879623-1	H45K0BAA	H4 5K0 0.1% 5PPM	PRODUCTION
1-1879623-2	H420RBBA	H4 20R 0.1% 10PPM	PRODUCTION
1-1879623-3	H4250RBDA	H4 250R 0.1% 25PPM	PRODUCTION
1-1879623-4	H4500KBDA	H4 500K 0.1% 25PPM	PRODUCTION
1-1879623-5	H450KBDA	H4 50K 0.1% 25PPM	PRODUCTION
1-1879623-6	H41K2BYA	H4 1K2 0.1% 15PPM	PRODUCTION
1-1879623-7	H4500KBYA	H4 500K 0.1% 15PPM	PRODUCTION
1-1879623-8	H450RBYA	H4 50R 0.1% 15PPM	PRODUCTION
1-1879623-9	H462RBYA	H4 62R 0.1% 15PPM	PRODUCTION
2-1879623-0	H4680RBYA	H4 680R 0.1% 15PPM	PRODUCTION
2-1879623-1	H4820RBYA	H4 820R 0.1% 15PPM	PRODUCTION
2-1879623-2	H4470KDCA	H4 470K 0.5% 50PPM	PRODUCTION
2-1879623-3	H44K7DCA	H4 4K7 0.5% 50PPM	PRODUCTION
2-1879623-4	H4250RDDA	H4 250R 0.5% 25PPM	PRODUCTION
2-1879623-5	H4120KDZA	H4 120K 0.5% 100PPM	PRODUCTION
2-1879623-6	H4180KDZA	H4 180K 0.5% 100PPM	PRODUCTION
2-1879623-7	H41K5DZA	H4 1K5 0.5% 100PPM	PRODUCTION
2-1879623-8	H4200KDZA	H4 200K 0.5% 100PPM	PRODUCTION
2-1879623-9	H4220RDZA	H4 220R 0.5% 100PPM	PRODUCTION
3-1879623-0	H427KDZA	H4 27K 0.5% 100PPM	PRODUCTION

SCHEDULE

TCPN	CATALOGUE NUMBER	PART DESCRIPTION	PART STATUS
3-1879623-1	H42K0DZA	H4 2K0 0.5% 100PPM	PRODUCTION
3-1879623-2	H433KDZA	H4 33K 0.5% 100PPM	PRODUCTION
3-1879623-3	H43K9DZA	H4 3K9 0.5% 100PPM	PRODUCTION
3-1879623-4	H4430RDZA	H4 430R 0.5% 100PPM	PRODUCTION
3-1879623-5	H4470RDZA	H4 470R 0.5% 100PPM	PRODUCTION
3-1879623-6	H447KDZA	H4 47K 0.5% 100PPM	PRODUCTION
3-1879623-7	H44K7DZA	H4 4K7 0.5% 100PPM	PRODUCTION
3-1879623-8	H4100RDZA	H4 100R 0.5% 100PPM	PRODUCTION
3-1879623-9	H4120RDZA	H4 120R 0.5% 100PPM	PRODUCTION
4-1879623-0	H4150RDZA	H4 150R 0.5% 100PPM	PRODUCTION
4-1879623-1	H4180RDZA	H4 180R 0.5% 100PPM	PRODUCTION
4-1879623-2	H4360RDZA	H4 360R 0.5% 100PPM	PRODUCTION
4-1879623-3	H4680RDZA	H4 860R 0.5% 100PPM	PRODUCTION
4-1879623-4	H41K0DZA	H4 1K0 0.5% 100PPM	PRODUCTION
4-1879623-5	H41K2DZA	H4 1K2 0.5% 100PPM	PRODUCTION
4-1879623-6	H42K2DZA	H4 2K2 0.5% 100PPM	PRODUCTION
4-1879623-7	H42K7DZA	H4 2K7 0.5% 100PPM	PRODUCTION
4-1879623-8	H46K2DZA	H4 6K2 0.5% 100PPM	PRODUCTION
4-1879623-9	H410KDZA	H4 10K 0.5% 100PPM	PRODUCTION
5-1879623-0	H4240KAYA	H4 240K 0.05% 15PPM	PRODUCTION
5-1879623-1	H422KAYA	H4 22K 0.05% 15PPM	PRODUCTION
5-1879623-2	H416K2DCA	H4 16K2 0.5% 50PPM	PRODUCTION
5-1879623-3	H422K1BBA	H4 22K1 0.1% 10PPM	PRODUCTION
5-1879623-4	H4121RDZA	H4 121R 0.5% 100PPM	PRODUCTION
5-1879623-5	H4124RDZA	H4 124R 0.5% 100PPM	PRODUCTION
5-1879623-6	H4432RDZA	H4 432R 0.5% 100PPM	PRODUCTION
5-1879623-7	H41K3DZA	H4 1K3 0.5% 100PPM	PRODUCTION
5-1879623-8	H42K21DZA	H4 2K21 0.5% 100PPM	PRODUCTION
5-1879623-9	H42K37DZA	H4 2K37 0.5% 100PPM	PRODUCTION
6-1879623-0	H44K75DZA	H4 4K75 0.5% 100PPM	PRODUCTION

THIS DRAWING IS A CONTROLLED DOCUMENT.		DWN PARUSURAM.T 10 JUNE 2010	 TE Connectivity NAME <b>AXIAL LEADED PRECISION RESISTORS - TYPE H4 SERIES</b>				
DIMENSIONS: mm		CHK ALLAN.P 10 JUNE 2010					
TOLERANCES UNLESS OTHERWISE SPECIFIED:		APVD STEPHEN.P 10 JUNE 2010					
		PRODUCT SPEC -					
MATERIAL -		FINISH -	APPLICATION SPEC -	SIZE A3	CAGE CODE 00779	DRAWING NO C-1879623	RESTRICTED TO -
CUSTOMER DRAWING			SCALE 10:1	SHEET 2 OF 3	REV BA1		

REVISIONS

P	LTR	DESCRIPTION	DATE	DWN	APVD
-		SEE SHEET 1	-	-	-

SCHEDULE

TCPN	CATALOGUE NUMBER	PART DESCRIPTION	PART STATUS
6-1879623-1	H46K81DZA	H4 6K81 0.5% 100PPM	PRODUCTION
6-1879623-2	H47K32DZA	H4 7K32 0.5% 100PPM	PRODUCTION
6-1879623-3	H413KDZA	H4 13K 0.5% 100PPM	PRODUCTION
6-1879623-4	H413K7DZA	H4 13K7 0.5% 100PPM	PRODUCTION
6-1879623-5	H414K3DZA	H4 14K3 0.5% 100PPM	PRODUCTION
6-1879623-6	H415KDZA	H4 15K 0.5% 100PPM	PRODUCTION
6-1879623-7	H418K2DZA	H4 18K2 0.5% 100PPM	PRODUCTION
6-1879623-8	H422K1DZA	H4 22K1 0.5% 100PPM	PRODUCTION
6-1879623-9	H430K1DZA	H4 30K1 0.5% 100PPM	PRODUCTION
7-1879623-0	H439K2DZA	H4 39K2 0.5% 100PPM	PRODUCTION
7-1879623-1	H475KDZA	H4 75K 0.5% 100PPM	PRODUCTION
7-1879623-2	H48K2DZA	H4 8K2 0.5% 100PPM	PRODUCTION
7-1879623-3	H422KDZA	H4 22K 0.5% 100PPM	PRODUCTION
7-1879623-4	H4125RADA	H4 125R 0.05% 25PPM	PRODUCTION
7-1879623-5	H4500KCAA	H4 500K 0.25% 5PPM	PRODUCTION

THIS DRAWING IS A CONTROLLED DOCUMENT.

DWN	10 JUNE 2010
PARUSURAM.T	
CHK	10 JUNE 2010
ALLAN.P	
APVD	10 JUNE 2010
STEPHEN.P	
PRODUCT SPEC	
APPLICATION SPEC	
WEIGHT	

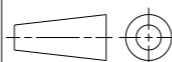


TE Connectivity

NAME  
AXIAL LEADED PRECISION RESISTORS -  
TYPE H4 SERIES

DIMENSIONS:  
mm

TOLERANCES UNLESS  
OTHERWISE SPECIFIED:



0 PLC	±0.2
1 PLC	±0.1
2 PLC	±-
3 PLC	±-
4 PLC	±-
ANGLES	±5°

MATERIAL

FINISH

WEIGHT

SIZE	CAGE CODE	DRAWING NO	RESTRICTED TO
------	-----------	------------	---------------

A3 00779 ©-1879623

CUSTOMER DRAWING

SCALE 10:1 SHEET 3 OF 3 REV BA1