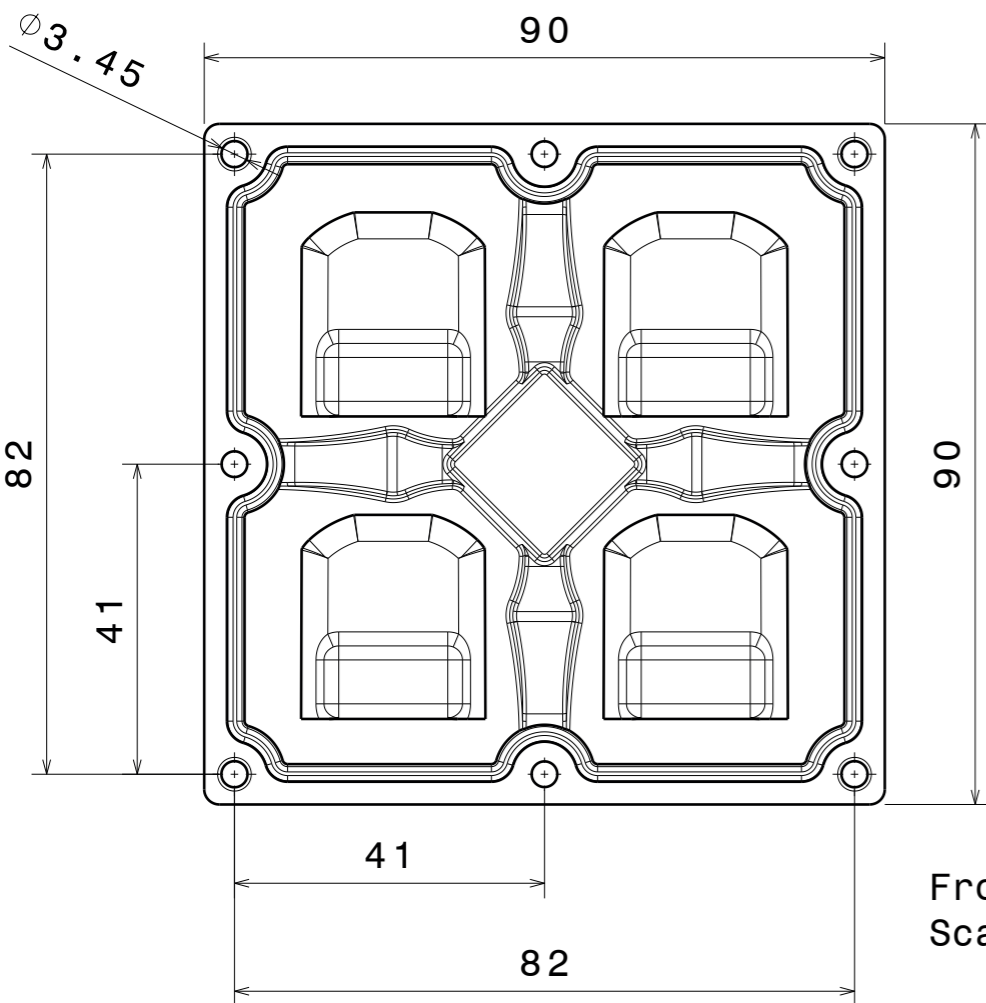


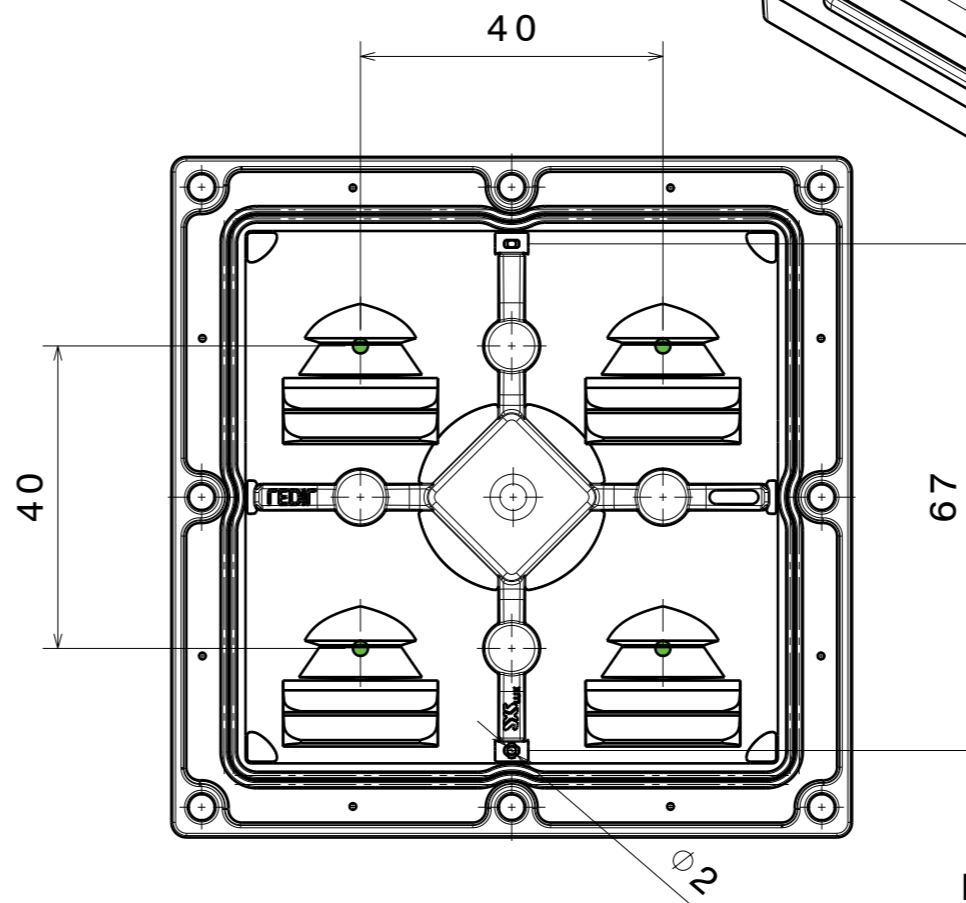
Bottom view
Scale: 1:1

13.95



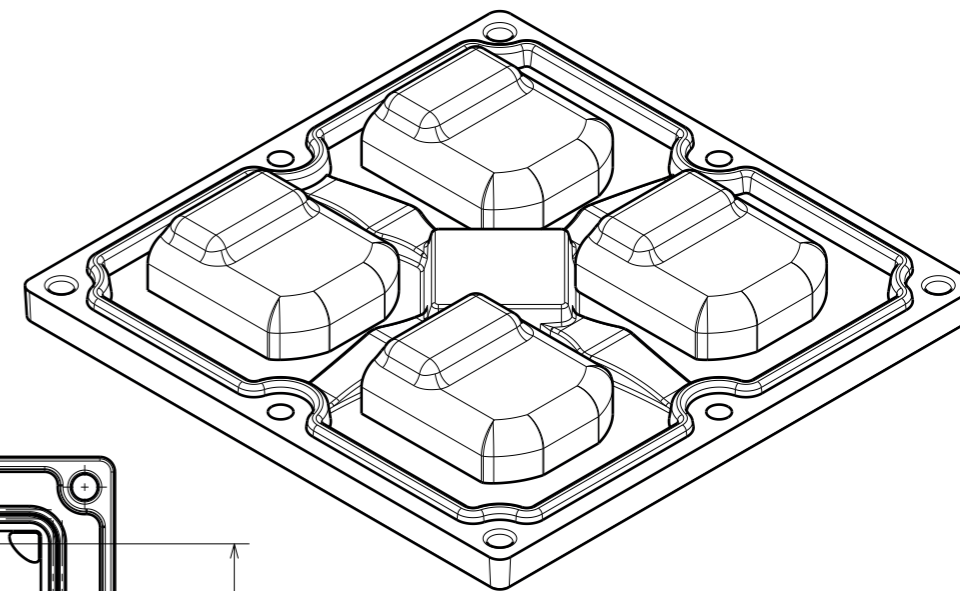
Front view
Scale: 1:1

90
82
41
41
82



Rear view
Scale: 1:1

40
40
67



Isometric view
Scale: 1:1

| INDEX | PART NO | DESCRIPTION | MATERIAL | COLOUR |
|-------|---------|---------------------|----------|--------|
| 1 | C15748 | STRADA-2X2MX-8-T4-B | PMMA | |
| | C15757 | STRADA-2X2MX-8-SEAL | Silicone | |

Plastic moulding general tolerances according to DIN 16901-130 and applies if not otherwise shown in the drawing.
Silicone moulding general tolerances according to ISO 3302-1 Class M3 and applies if not otherwise shown in the drawing.

LEDiL Ledil Oy
Salorankatu 10
FIN 24240 SALO
Finland

THIRD ANGLE PROJECTION:

DRAWING TITLE
CS15750_STRADA-2X2MX-8-T4-B

This drawing is the property of LEDiL Oy. It may not be reproduced, copied or communicated without a written agreement with LEDiL Oy.

SIZE PART NUMBER
A3 CS15750

SCALE 1:1 WEIGHT 43,7 g SHEET 1/1