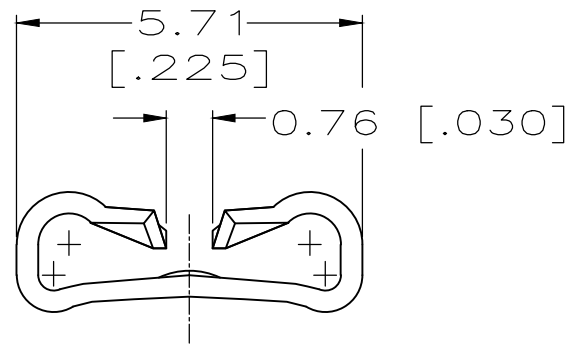
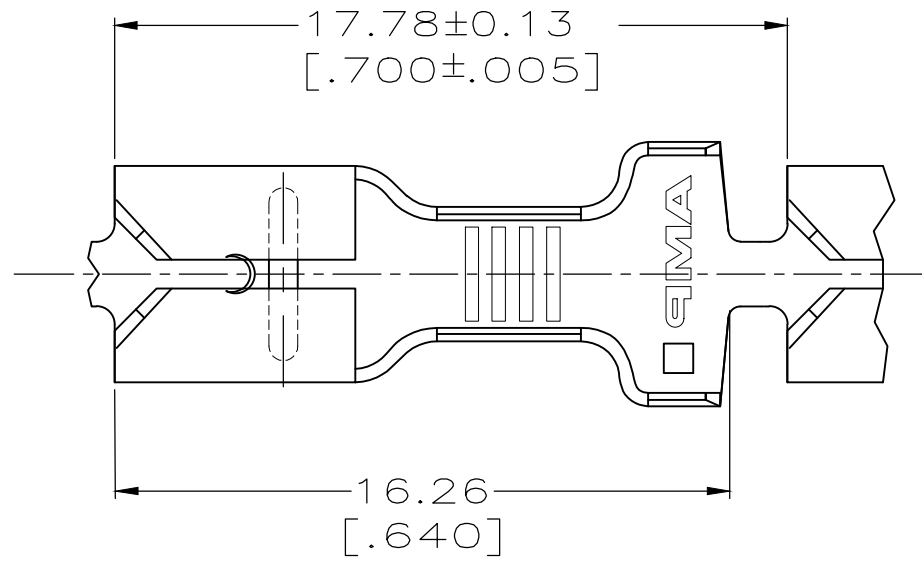


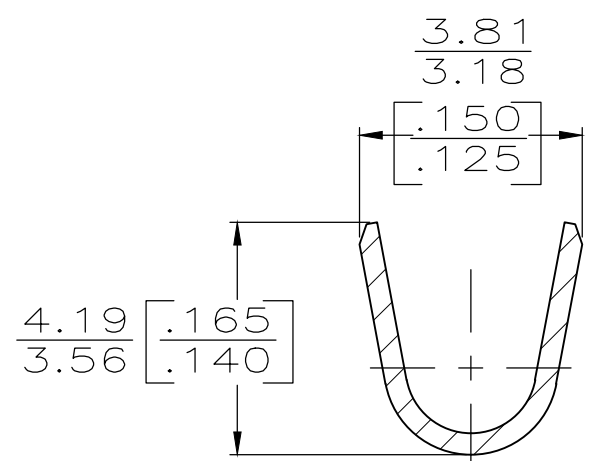
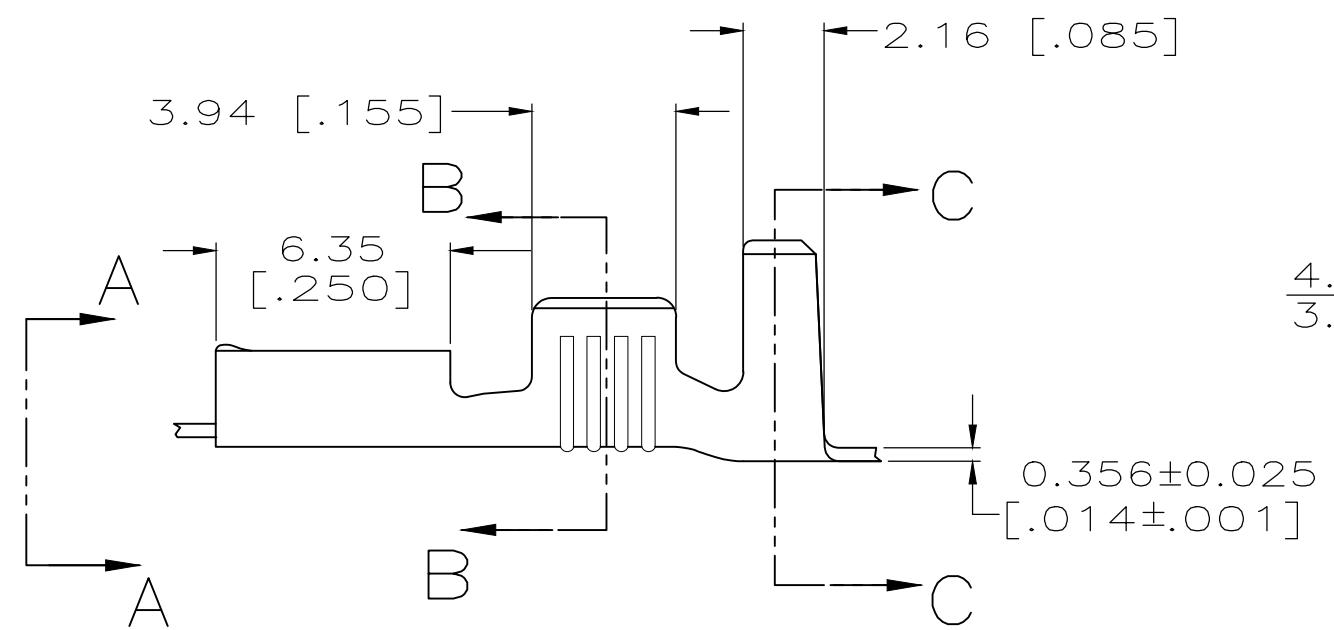
THIS DRAWING IS UNPUBLISHED. RELEASED FOR PUBLICATION
 © COPYRIGHT - By - ALL RIGHTS RESERVED.

LOC	DIST	REVISIONS			
P	LTR	DESCRIPTION	DATE	DWN	APVD
AF	50	E	REVISED PER ECR-12-013518	24NOV12	KH PD
		E1	REVISED PER ECR-20-002506	24FEB2020	MK TD

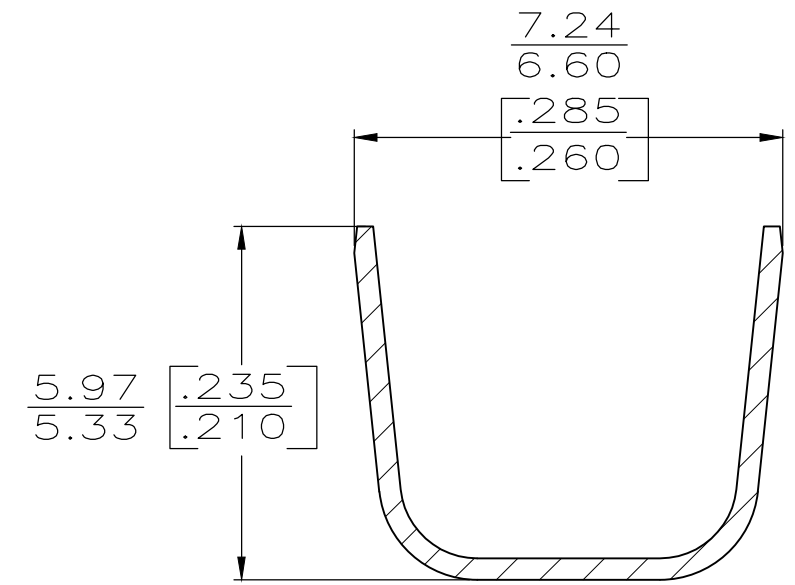
- 1 CONTINUOUS STRIP ON REELS.
 - 2 MATING TAB THK TO BE 0.635 ± 0.025 [.025 ± .001]
 - 3 WIRE SIZE IS [#18-#14]AWG, OR TWO [#16'S].
 - 4 INSULATION RANGE IS 4.57-5.84 TWO AT 2.79 MAX, [.180-.230] OR TWO AT [.110 MAX].
- 5 OBSOLETE PARTS: OBSOLETE CIS STREAMLINING PER D.RENAUD/D.SINISI



VIEW A-A
SCALE 8:1



SECTION B-B
SCALE 8:1



SECTION C-C
SCALE 8:1

5 OBSOLETE	TIN	63832-2
	-	63832-1
	FINISH	PART NUMBER

THIS DRAWING IS A CONTROLLED DOCUMENT.		DWN	JR RUTH	3/17/95	STE TE Connectivity		
DIMENSIONS: mm [INCHES]		CHK	MS FEHER	3/17/95			
TOLERANCES UNLESS OTHERWISE SPECIFIED:		APVD	P DESANTIS	3/17/95	NAME		
0 PLC ± -		PRODUCT SPEC		RECEPTACLE, FASTON,™			
1 PLC ± -		APPLICATION SPEC		4.75 [.187] SERIES			
2 PLC ± 0.25 [.010]		114-2036		SIZE	CAGE CODE	DRAWING NO	RESTRICTED TO
3 PLC ± -		WEIGHT -		A3	00779	C-63832	-
4 PLC ± -		MATERIAL		CUSTOMER DRAWING			SCALE
ANGLES ± -		BRASS		5:1			SHEET
FINISH		SEE TABLE		1 OF 1			REV
				E1			