

1

2

3

4

5

6

7

A

B

C

D

E

F

A

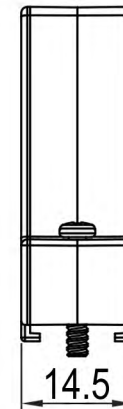
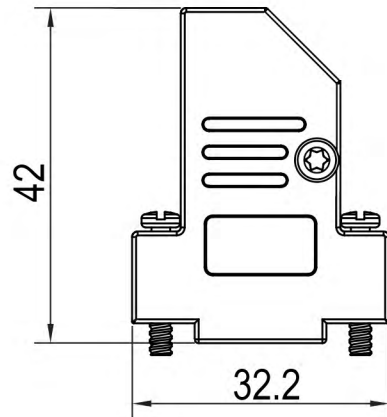
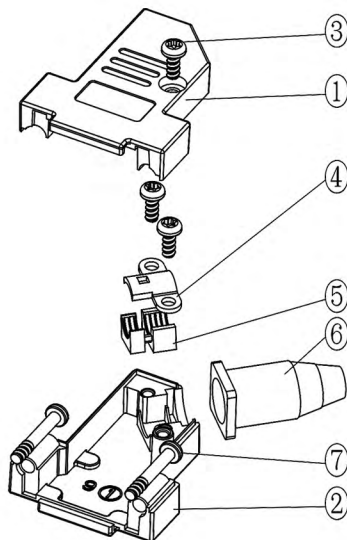
B

C

D

E

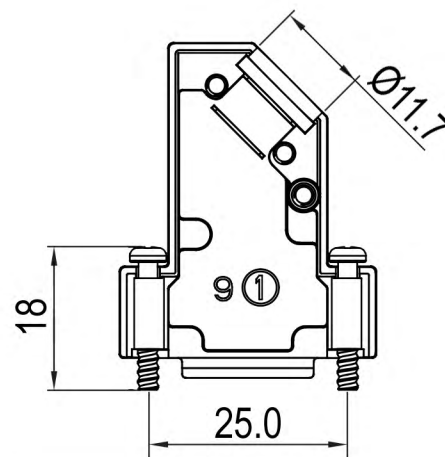
F



TECHNICAL SPECIFICATIONS

Material: Zinc
 Plating: Nickel
 Operating Temperature: -25°C to +90°C
 Jackscrews: UNC 4-40

No. of contacts: 09-15-25-37



Item	QTY	Part description
1	1	Upper Cover
2	1	Lower Cover
3	3	TX M2.5x6 Screw
4	1	Cable Clamp
5	1	Plastic Insert
6	1	Rubber Grommet
7	2	Jackscrew UNC4-40x18

RoHS compliant
 Unit: mm

Scale	Free				Date	Name	Customer-No.	
TOLERANCE					Drawn	17.08.2017	S.Bölling	
0~6	±0.10				Approved	17.08.2017	S.Bölling	
6~30	±0.20							
30~120	±0.30							
120~400	±0.50							
DIM	Tol							
Angle	±1°	Ⓞ	Drawn	17.08.2017				S.Bölling
Angle	Tol	Id.	Modification	Date				Name

Customer-No.
 ASSMANN WSW-No.
ACOV-SUB-09MB33

Drawing-No.
ASS_5274_CO rev00
 Replace Sheet 1/4

1

2

3

4

5

6

7

1

2

3

4

5

6

7

A

A

B

B

C

C

D

D

E

E

F

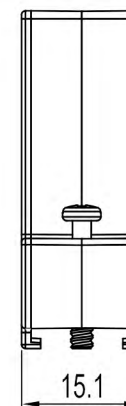
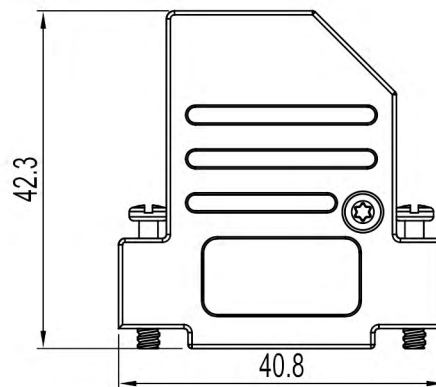
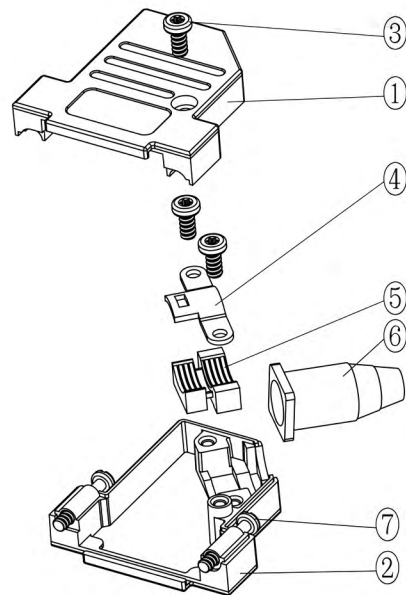
F

G

G

H

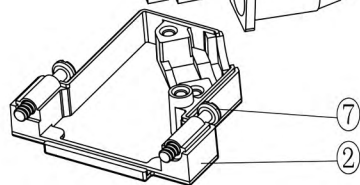
H



TECHNICAL SPECIFICATIONS

Material: Zinc
 Plating: Nickel
 Operating Temperature: -25°C to +90°C
 Jackscrews: UNC 4-40

No. of contacts: 09-15-25-37



Item	QTY	Part description
1	1	Upper Cover
2	1	Lower Cover
3	3	TX M2.5x6 Screw
4	1	Cable Clamp
5	1	Plastic Insert
6	1	Rubber Grommet
7	2	Jackscrew UNC4-40x18

RoHS compliant
 Unit: mm

Scale	Free				Date	Name	Customer-No.	
TOLERANCE					Drawn	17.08.2017	S.Bölling	
0~6	±0.10				Approved	17.08.2017	S.Bölling	
6~30	±0.20							
30~120	±0.30							
120~400	±0.50							
DIM	Tol							
Angle	±1°	Ⓢ	Drawn	17.08.2017				S.Bölling
Angle	Tol	Id.	Modification	Date				Name

ASSMANN WSW-No.
ACOV-SUB-15MB33

Drawing-No.
ASS_5274_CO rev00
 Replace Sheet 2/4

1

2

3

4

5

6

7

SV4382

1

2

3

4

5

6

7

A

B

C

D

E

F

A

B

C

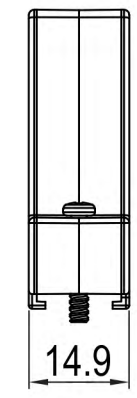
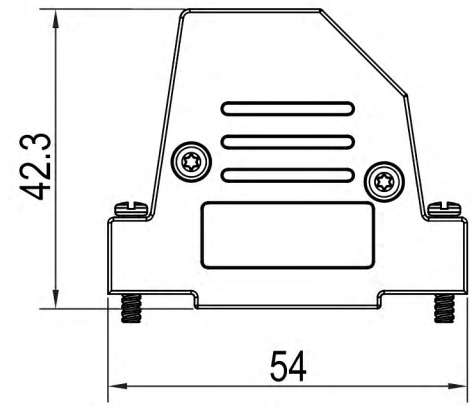
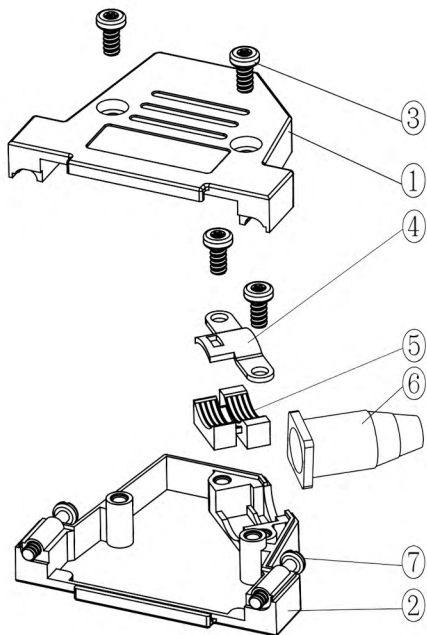
D

E

F

G

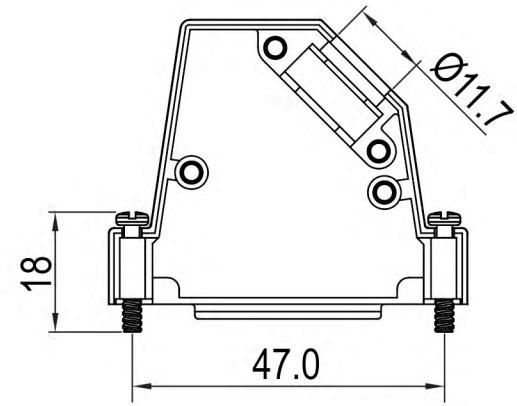
H



TECHNICAL SPECIFICATIONS

Material: Zinc
 Plating: Nickel
 Operating Temperature: -25°C to +90°C
 Jackscrews: UNC 4-40

No. of contacts: 09-15-25-37



Item	QTY	Part description
1	1	Upper Cover
2	1	Lower Cover
3	4	TX M2.5x6 Screw
4	1	Cable Clamp
5	1	Plastic Insert
6	1	Rubber Grommet
7	2	Jackscrew UNC4-40x18

RoHS compliant

Unit: mm

Scale	Free				Date	Name	Customer-No.	
TOLERANCE					Drawn	17.08.2017	S.Bölling	
0~6	±0.10				Approved	17.08.2017	S.Bölling	
6~30	±0.20							
30~120	±0.30							
120~400	±0.50							
DIM	Tol							
Angle	±1°	©	Drawn	17.08.2017				S.Bölling
Angle	Tol	Id.	Modification	Date				Name

Customer-No.
 ASSMANN WSW-No.
ACOV-SUB-25MB33

Drawing-No.
ASS_5274_CO rev00
 Replace
 Sheet 3/4

1

2

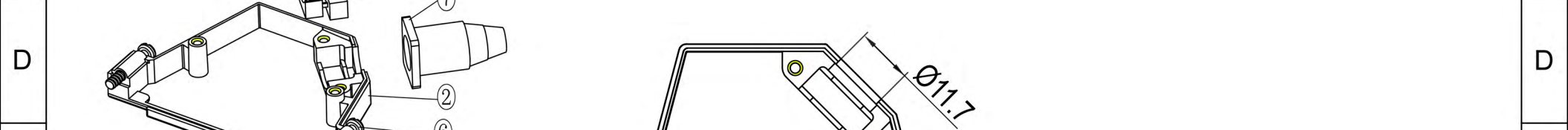
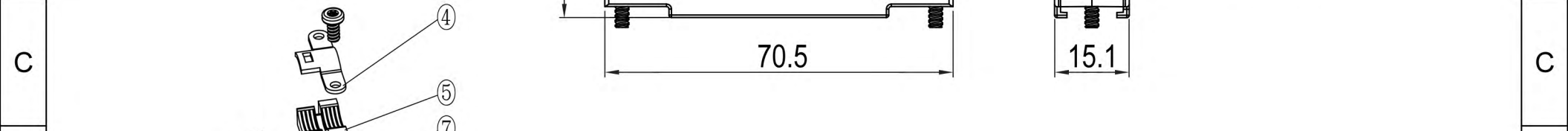
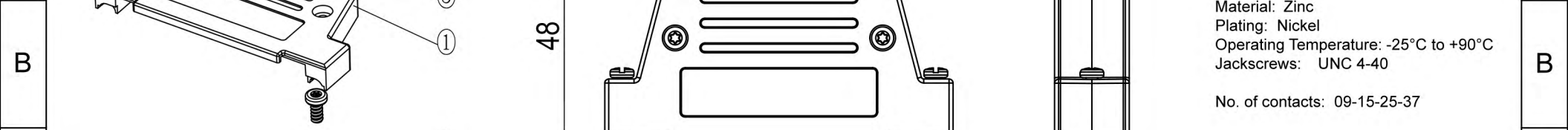
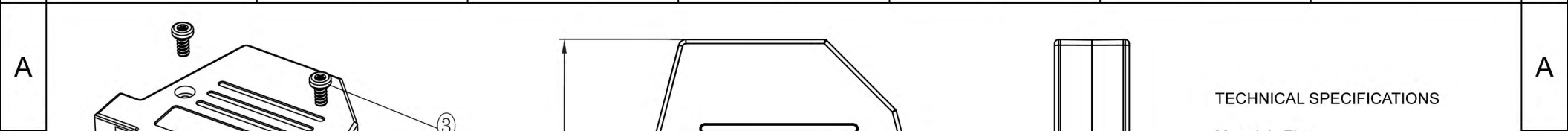
3

4

5

6

7



TECHNICAL SPECIFICATIONS
 Material: Zinc
 Plating: Nickel
 Operating Temperature: -25°C to +90°C
 Jackscrews: UNC 4-40
 No. of contacts: 09-15-25-37

Item	QTY	Part description
1	1	Upper Cover
2	1	Lower Cover
3	4	TX M2.5x6 Screw
4	1	Cable Clamp
5	1	Plastic Insert
6	2	Jackscrew UNC4-40x18
7	1	Rubber Grommet

RoHS compliant
 Unit: mm

Scale	Free				Date	Name	Customer-No.
TOLERANCE					Drawn	17.08.2017	S.Bölling
0~6	±0.10				Approved	17.08.2017	S.Bölling
6~30	±0.20						
30~120	±0.30						
120~400	±0.50						
DIM	Tol						
Angle	±1°	©	Drawn	17.08.2017	S.Bölling		
Angle	Tol	Id.	Modification	Date	Name		

ASSMANN WSW-No.
ACOV-SUB-37MB33

Drawing-No.
ASS_5274_CO rev00
 Sheet 4/4

