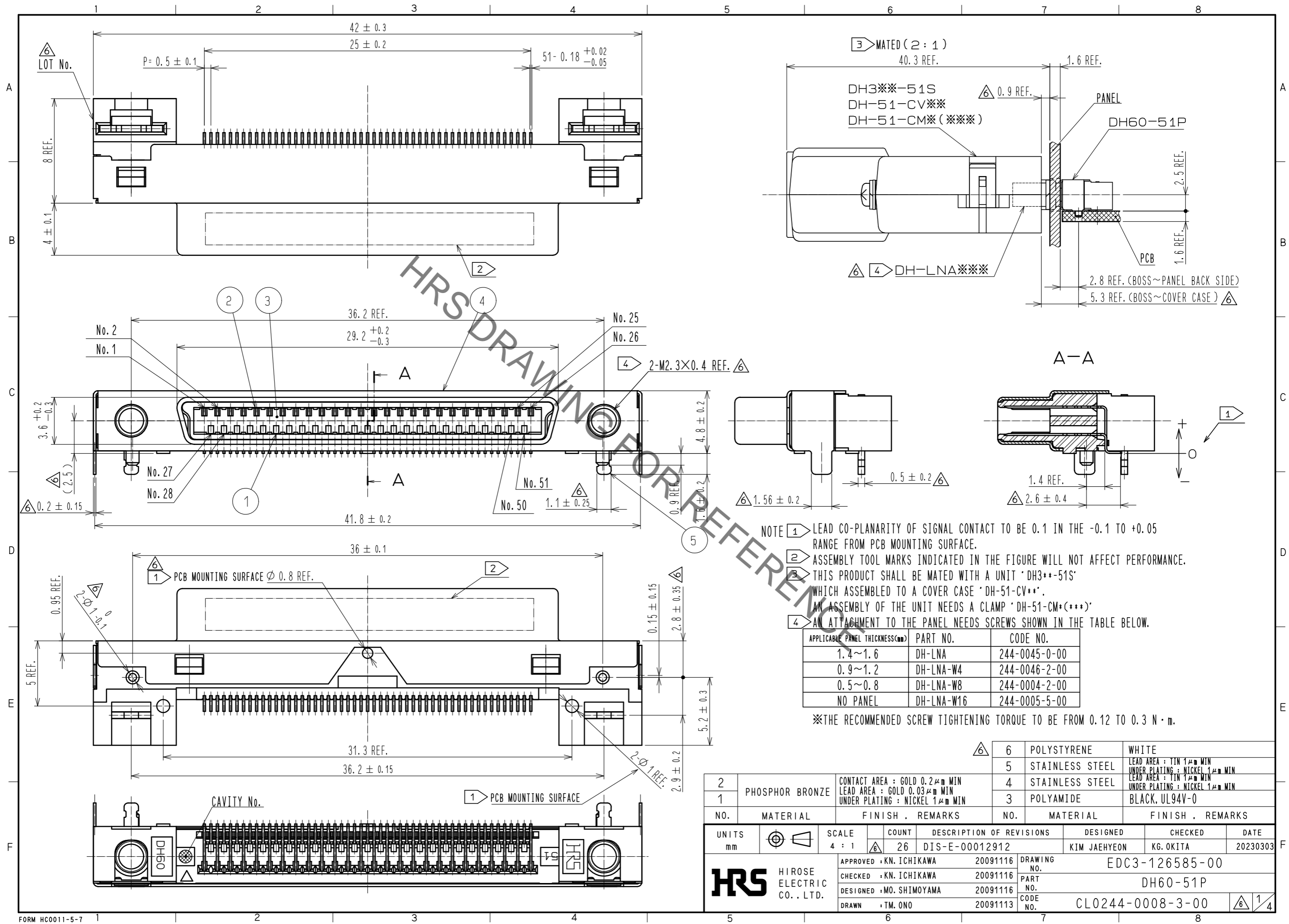


Apr.1.2023 Copyright 2023 HIROSE ELECTRIC CO., LTD. All Rights Reserved.
 In case of consideration for using Automotive equipment / device which demand high reliability, kindly contact our sales window correspondents.



NOTE ① LEAD CO-PLANARITY OF SIGNAL CONTACT TO BE 0.1 IN THE -0.1 TO +0.05 RANGE FROM PCB MOUNTING SURFACE.
 ② ASSEMBLY TOOL MARKS INDICATED IN THE FIGURE WILL NOT AFFECT PERFORMANCE.
 ③ THIS PRODUCT SHALL BE MATED WITH A UNIT 'DH3**-51S' WHICH ASSEMBLED TO A COVER CASE 'DH-51-CV**'. AN ASSEMBLY OF THE UNIT NEEDS A CLAMP 'DH-51-CM*(***)'.
 ④ AN ATTACHMENT TO THE PANEL NEEDS SCREWS SHOWN IN THE TABLE BELOW.

APPLICABLE PANEL THICKNESS(mm)	PART NO.	CODE NO.
1.4~1.6	DH-LNA	244-0045-0-00
0.9~1.2	DH-LNA-W4	244-0046-2-00
0.5~0.8	DH-LNA-W8	244-0004-2-00
NO PANEL	DH-LNA-W16	244-0005-5-00

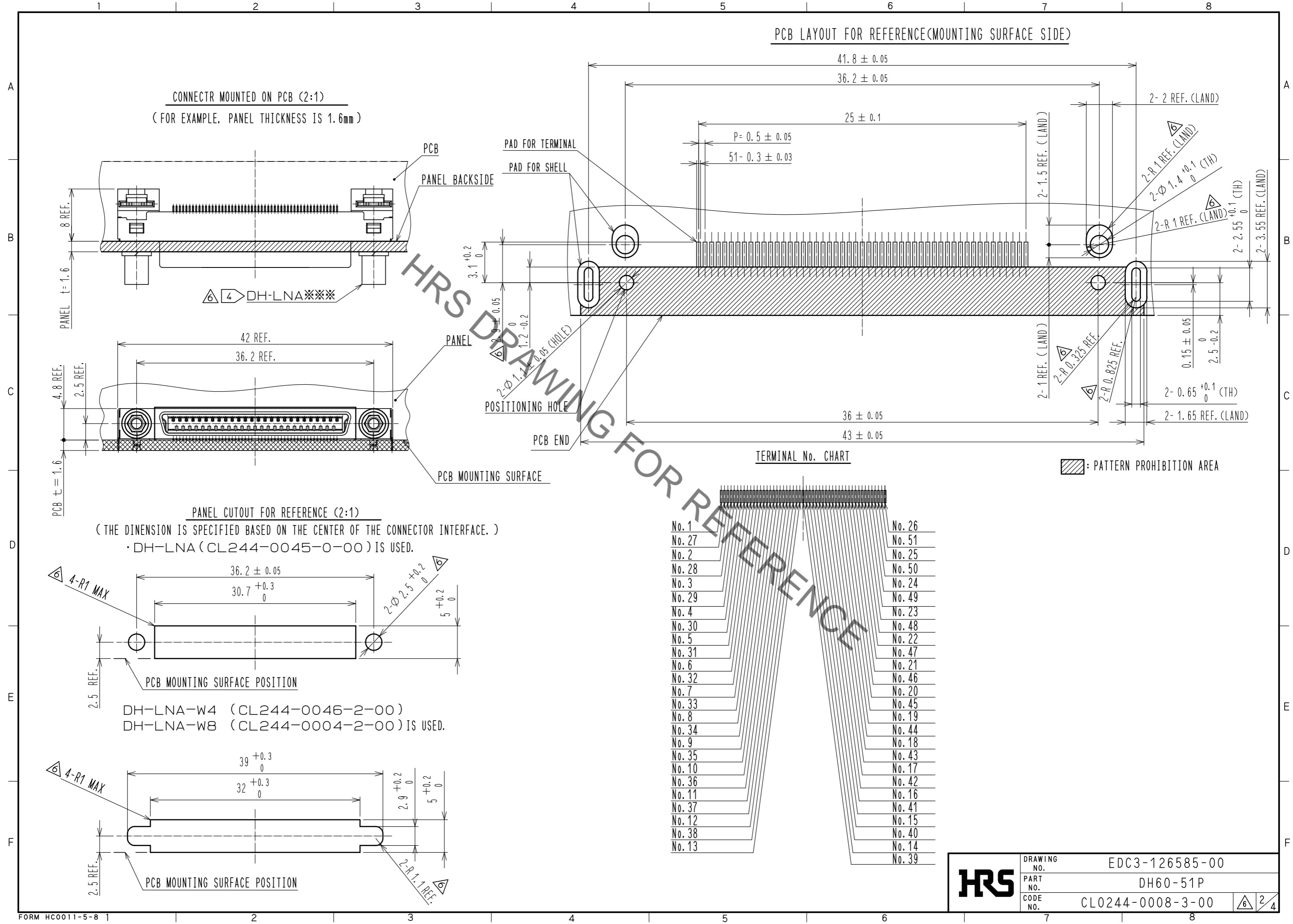
※THE RECOMMENDED SCREW TIGHTENING TORQUE TO BE FROM 0.12 TO 0.3 N · m.

NO.	MATERIAL	FINISH .	REMARKS	NO.	MATERIAL	FINISH .	REMARKS
2	PHOSPHOR BRONZE		CONTACT AREA : GOLD 0.2μm MIN LEAD AREA : GOLD 0.03μm MIN UNDER PLATING : NICKEL 1μm MIN	6	POLYSTYRENE		WHITE
1				5	STAINLESS STEEL		LEAD AREA : TIN 1μm MIN UNDER PLATING : NICKEL 1μm MIN
				4	STAINLESS STEEL		LEAD AREA : TIN 1μm MIN UNDER PLATING : NICKEL 1μm MIN
				3	POLYAMIDE		BLACK, UL94V-0

UNITS	SCALE	COUNT	DESCRIPTION OF REVISIONS	DESIGNED	CHECKED	DATE
mm	4 : 1	26	DIS-E-00012912	KIM JAEHYEON	KG. OKITA	20230303

APPROVED	CHECKED	DESIGNED	DRAWN	DATE	DRAWING NO.	PART NO.	CODE NO.
KN. ICHIKAWA	KN. ICHIKAWA	MO. SHIMOYAMA	TM. ONO	20091116	EDC3-126585-00	DH60-51P	CL0244-0008-3-00

Apr.1.2023 Copyright 2023 HIROSE ELECTRIC CO., LTD. All Rights Reserved.
 In case of consideration for using Automotive equipment / device which demand high reliability, kindly contact our sales window correspondents.

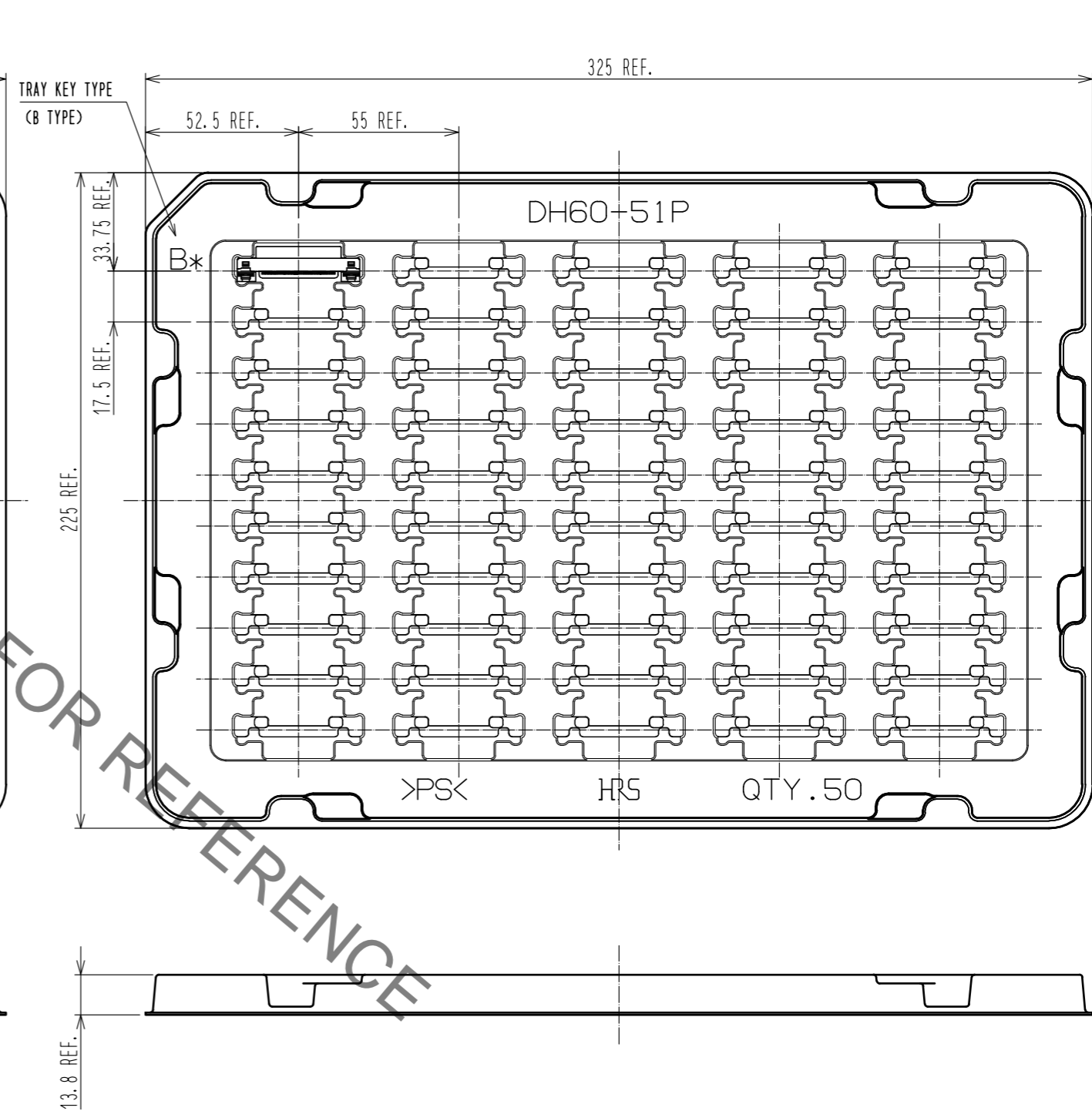
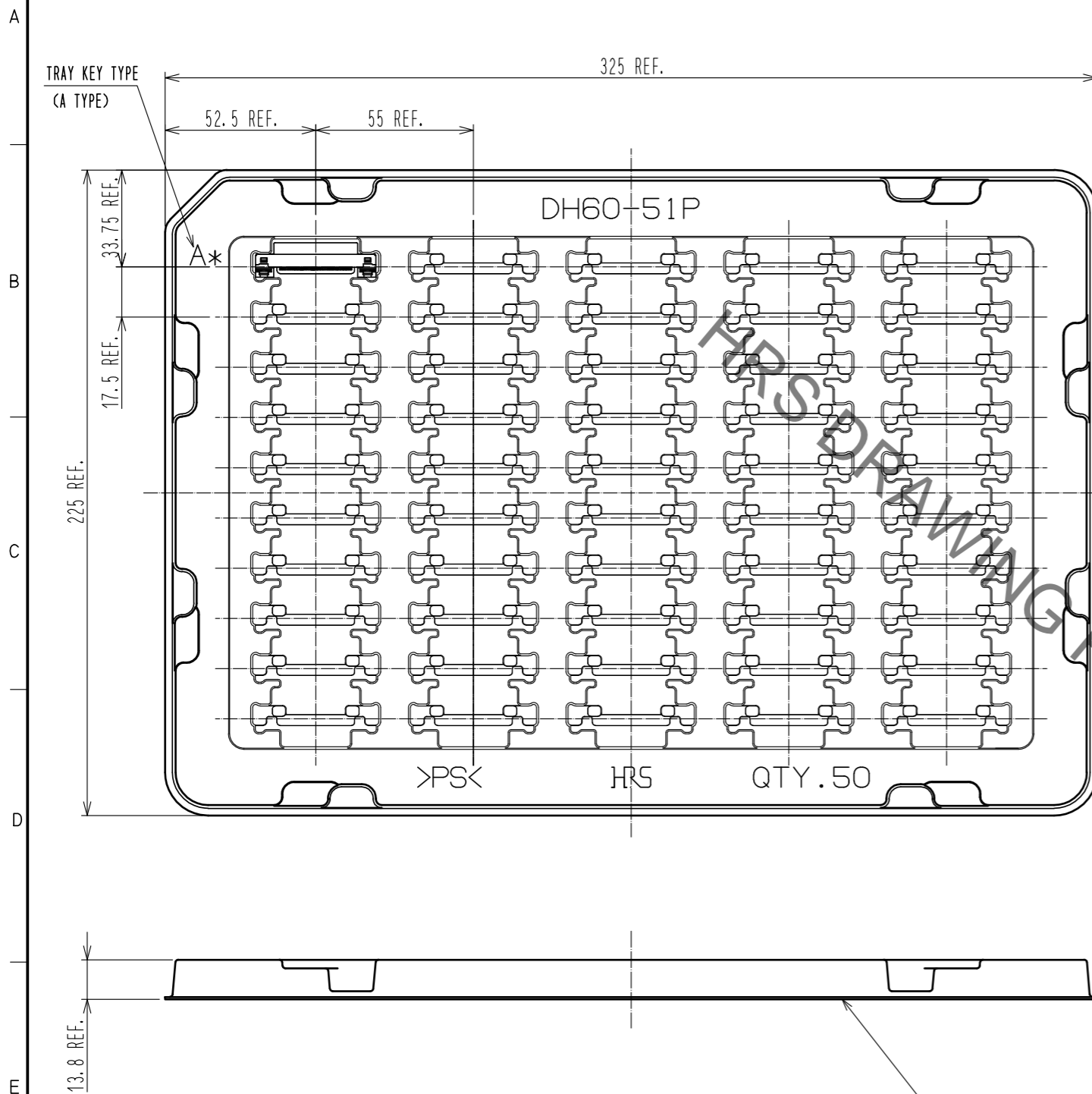


No. 1	No. 26
No. 27	No. 51
No. 2	No. 25
No. 28	No. 50
No. 3	No. 24
No. 29	No. 49
No. 4	No. 23
No. 30	No. 48
No. 5	No. 22
No. 31	No. 47
No. 6	No. 21
No. 32	No. 46
No. 7	No. 20
No. 33	No. 45
No. 8	No. 19
No. 34	No. 44
No. 9	No. 18
No. 35	No. 43
No. 10	No. 17
No. 36	No. 42
No. 11	No. 16
No. 37	No. 41
No. 12	No. 15
No. 38	No. 40
No. 13	No. 14
	No. 39

HRS	DRAWING NO.	EDC3-126585-00
	PART NO.	DH60-51P
	CODE NO.	CL0244-0008-3-00
		⑥ 2/4

Apr.1.2023 Copyright 2023 HIROSE ELECTRIC CO., LTD. All Rights Reserved.
In case of consideration for using Automotive equipment / device which demand high reliability, kindly contact our sales window correspondents.

DRAWING FOR PACKING(1:2)

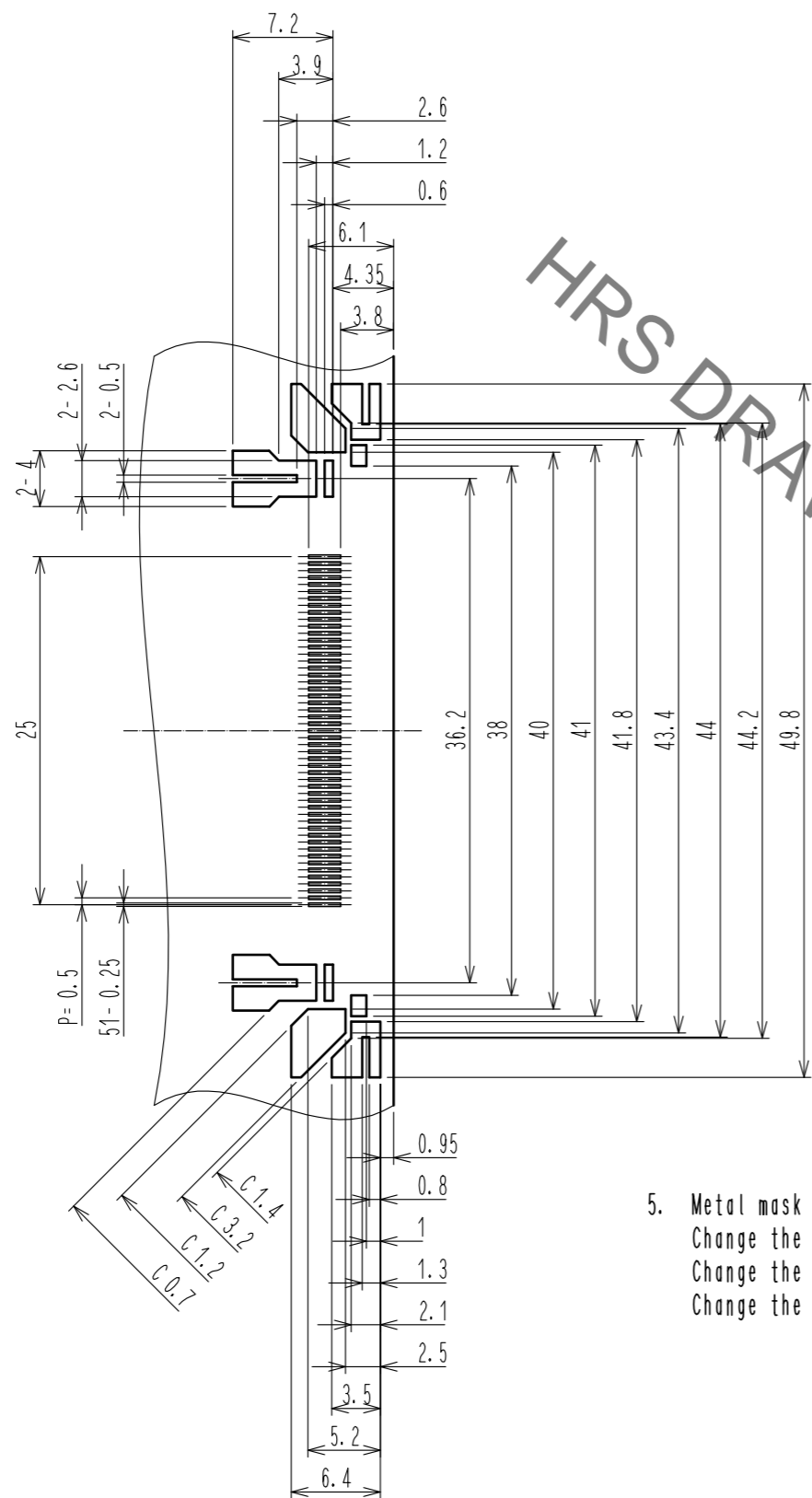


※TRAYS. A TYPE AND B TYPE. ARE PILED UP ALTERNATELY.

HRS	DRAWING NO.	EDC3-126585-00
	PART NO.	DH60-51P
	CODE NO.	CL0244-0008-3-00
		6/3/4

Apr.1.2023 Copyright 2023 HIROSE ELECTRIC CO., LTD. All Rights Reserved.
In case of consideration for using Automotive equipment / device which demand high reliability, kindly contact our sales window correspondents.

REFERENCE METAL MASK LAYOUT(2:1)
(t=0.15)



5. Metal mask dimensions of the drawings described, are reference dimensions for 0.15 mm thickness metal mask.
Change the metal mask dimensions by thickness of the metal mask, thickness of PCB, component of solder paste and mounting conditions.
Change the metal mask dimensions in case of mounting DH***P in parallel.
Change the metal mask dimensions, if there are other mounting parts or implementation pattern around the portion of mounting position of DH***P.

GENERAL TOLERANCE IS ± 0.05

HRS	DRAWING NO.	EDC3-126585-00
	PART NO.	DH60-51P
	CODE NO.	CL0244-0008-3-00
		4/4