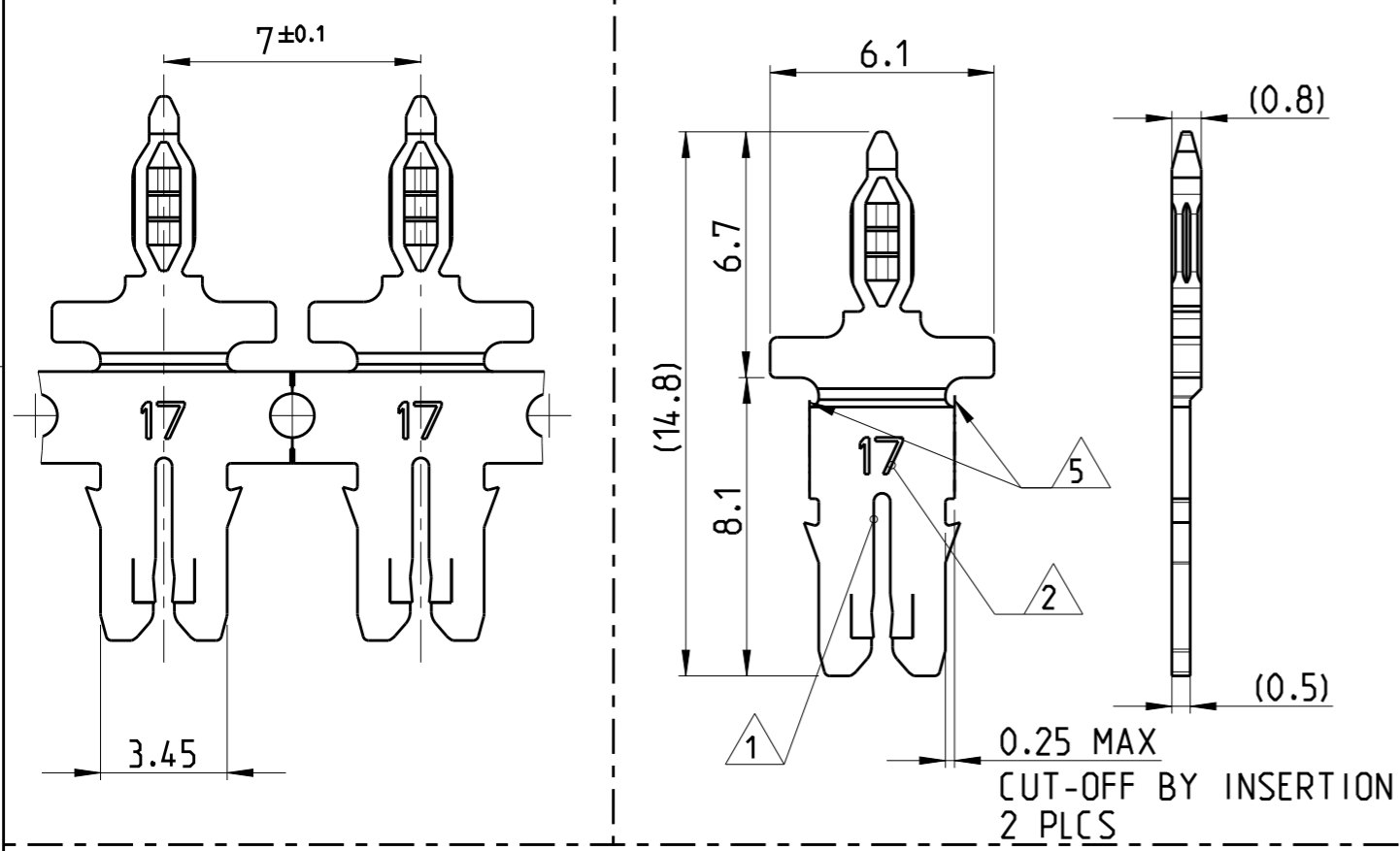



LOC	DIST	REVISIONS					
		P	LTR	DESCRIPTION	DATE	DWN	APVD
A1	-		A	REVISED PER ECR-20-006654	13MAY2020	BDA	KR



- 1 SLOT ACCEPTS SINGLE OR DOUBLE COPPER MAGNET WIRE OF SAME SIZE AND TYPE. Cu SINGLE WIRE RANGE : 0.63-0.85mm AND Cu DOUBLE WIRE RANGE : 0.63-0.80mm. NOT FOR USE WITH ALUMINUM MAGNET WIRES.
- 2 IDENTIFICATION NUMBER 17 FOR THE MAGNET WIRE RANGE.
- 3 CONTACT CAVITY AND APPLICATION ACC. SPECIFICATION 411-106442
- 4 PCB LAYOUT. HOLES ACC. SPECIFICATION. 108-90801.
- 5 CUTTING LINE: AREA WILL BE CUTTED OFF BY TERMINATION.
- 6 CAVITY CENTER TO HOLE CENTER DIMENSION.
- 7 DELIVERY STATE: STRIP ON CORRUGATED REEL WITH PAPER INTERLAYER.
- 8 MAX. 2 SPLICES PER REEL; SPLICES BE NOT BONDED TOGETHER.



A	2825575-2
REVISION	PART NO

THIS DRAWING IS A CONTROLLED DOCUMENT.		DWN VIJAI 11FEB2019	 TE Connectivity	NAME		
DIMENSIONS: mm		CHK VIJAI 11FEB2019		MAG-MATE Slim Line Contact with Multispring		
TOLERANCES UNLESS OTHERWISE SPECIFIED:		APVD SETHIL 11FEB2019		-		
0 PLC ±0.2 1 PLC ±0.2 2 PLC ±0.2 3 PLC ±0.2 4 PLC ±0.2 ANGLES ±1°		PRODUCT SPEC 108-94366		SIZE A3	CAGE CODE 00779	DRAWING NO C-2825575
MATERIAL CuNiSi		FINISH TINNED	APPLICATION SPEC 114-94229	RESTRICTED TO	-	
CUSTOMER DRAWING			WEIGHT -	SCALE 5:1	SHEET 1 OF 1	