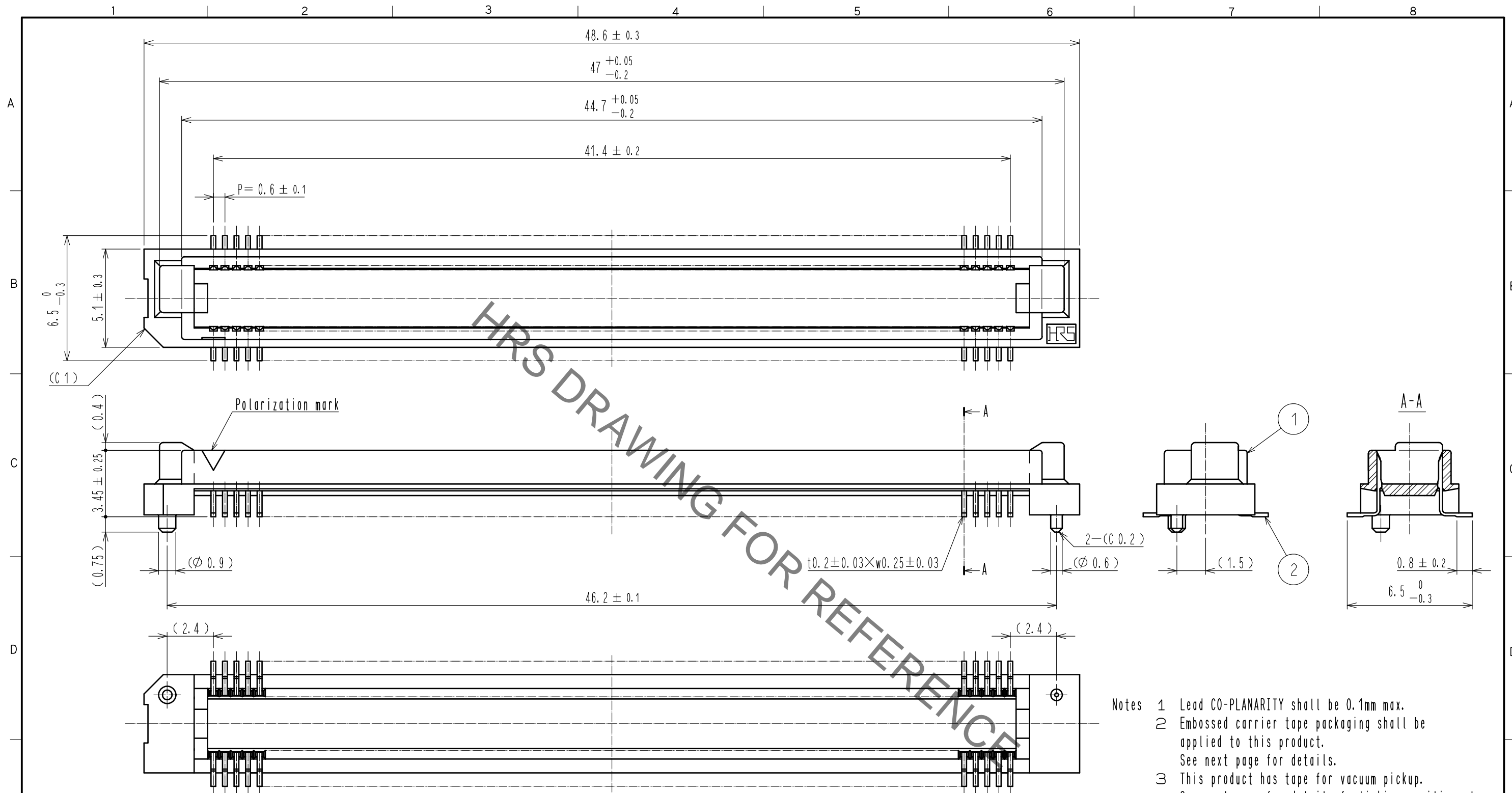
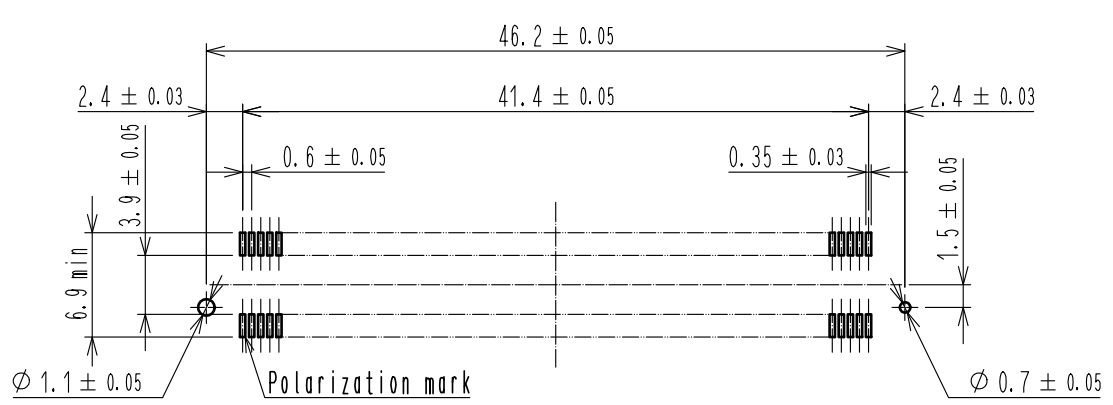


May.1.2023 Copyright 2023 HIROSE ELECTRIC CO., LTD. All Rights Reserved.  
In case of consideration for using Automotive equipment / device which demand high reliability, kindly contact our sales window correspondents.



- Notes
- 1 Lead CO-PLANARITY shall be 0.1mm max.
  - 2 Embossed carrier tape packaging shall be applied to this product. See next page for details.
  - 3 This product has tape for vacuum pickup. See next page for detail of sticking position, etc.
  - 4 For modification, etc., preventive hole for sink mark may be added according to circumstances.
  - 5 The dimensions in parentheses are for reference.

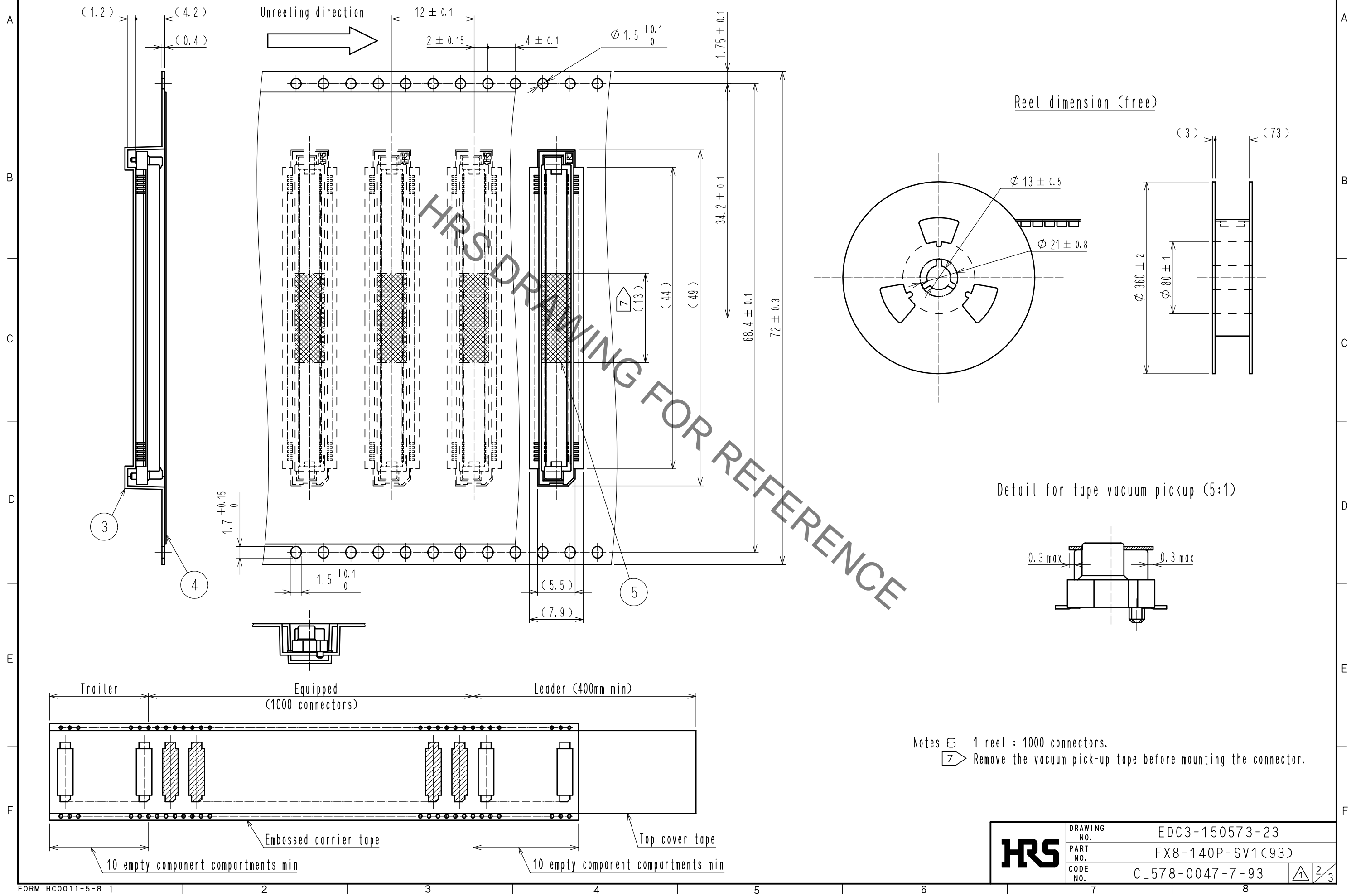
Recommended land pattern dimension of PCB (mounting side) (2:1)



Added precaution

2	PHOSPHOR BRONZE	Contact area : Gold 0.1 $\mu$ m min.	5	POLYIMIDE	(Tape for vacuum pickup)		
		Lead area : Tin-plating 1 $\mu$ m min.			4	POLYESTER	(Top cover tape)
		Under plating : Nickel 1 $\mu$ m min.					3
1	PPS	Light brown (UL94V-0)					
NO.	MATERIAL	FINISH . REMARKS	NO.	MATERIAL	FINISH . REMARKS		
UNITS mm		SCALE 5 : 1	COUNT 1	DESCRIPTION OF REVISIONS DIS-F-00006411			
DESIGNED KS. NAKAJIMA		CHECKED HT. YAMAGUCHI		DATE 20200803			
APPROVED : HS. OKAWA		20071005		DRAWING NO. EDC3-150573-23			
CHECKED : HS. OZAWA		20071005		PART NO. FX8-140P-SV1(93)			
DESIGNED : KY. NAKAMURA		20071005		CODE NO. CL578-0047-7-93			
DRAWN : KY. NAKAMURA		20071005		1/3			

# Embossed carrier tape dimension (2:1)



In case of consideration for using Automotive equipment / device which demand high reliability, kindly contact our sales window correspondents.

May.1.2023 Copyright 2023 HIROSE ELECTRIC CO., LTD. All Rights Reserved.

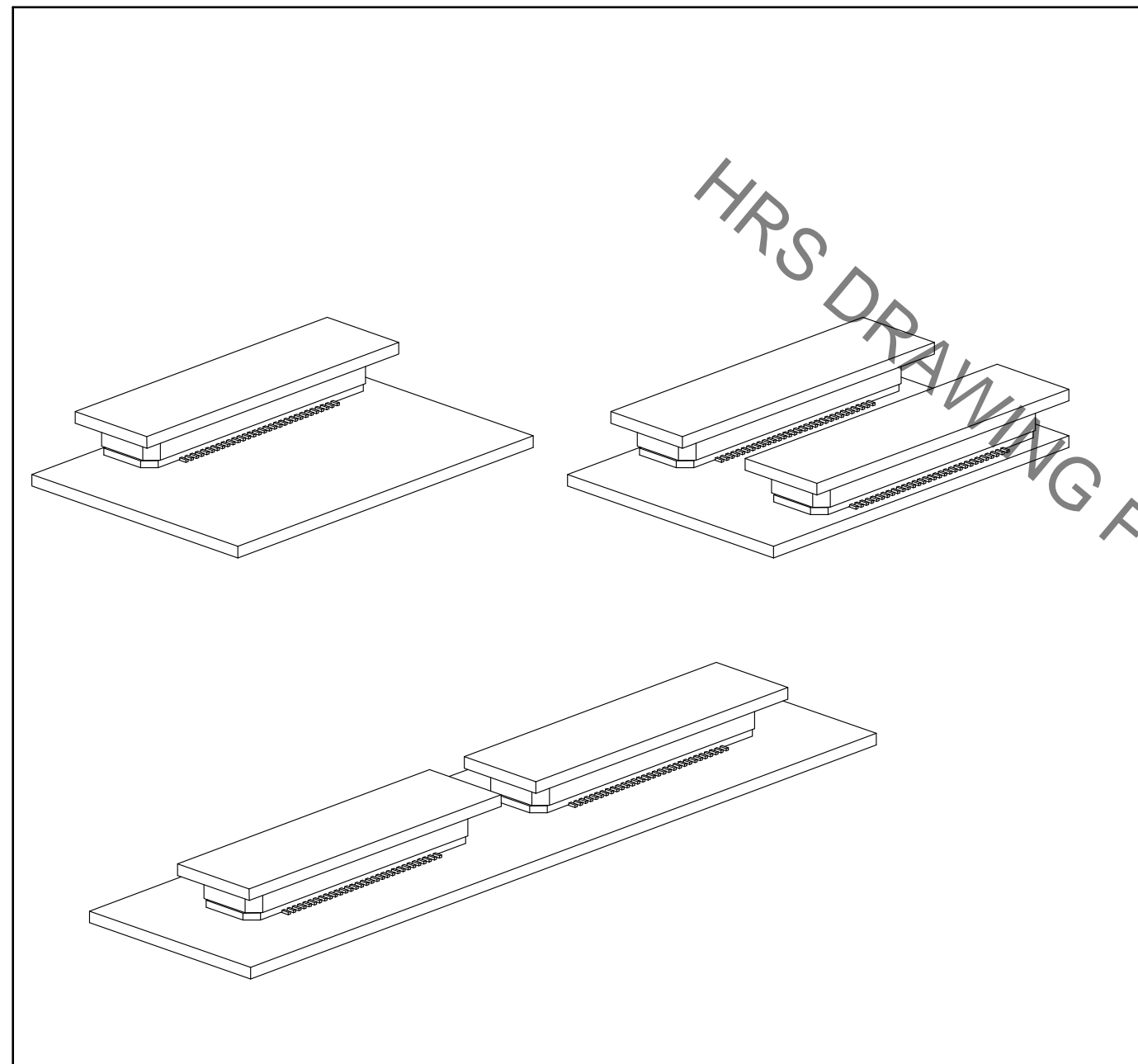
<b>HRS</b>	DRAWING NO.	EDC3-150573-23	2/3
	PART NO.	FX8-140P-SV1(93)	
	CODE NO.	CL578-0047-7-93	

May.1.2023 Copyright 2023 HIROSE ELECTRIC CO., LTD. All Rights Reserved.  
In case of consideration for using Automotive equipment / device which demand high reliability, kindly contact our sales window correspondents.

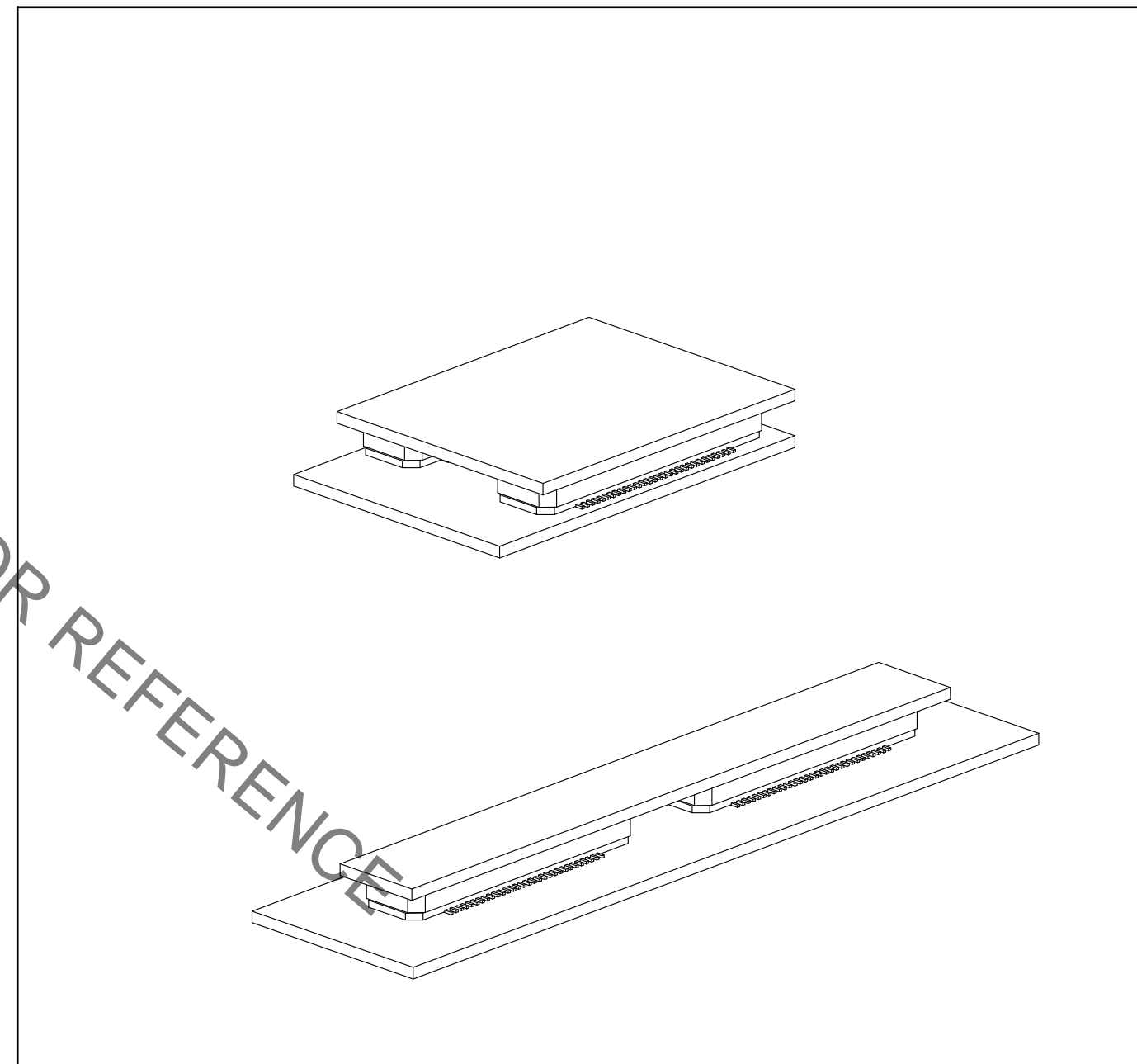
【 Precaution 】

When a board with multiple connectors mounted is mated, the connector may be damaged or deformed.  
Please divide one side of the board so only one connector is mated per board.

OK



NG



HRS DRAWING FOR REFERENCE

<b>HRS</b>	DRAWING NO.	EDC3-150573-23
	PART NO.	FX8-140P-SV1(93)
	CODE NO.	CL578-0047-7-93
		 3/3