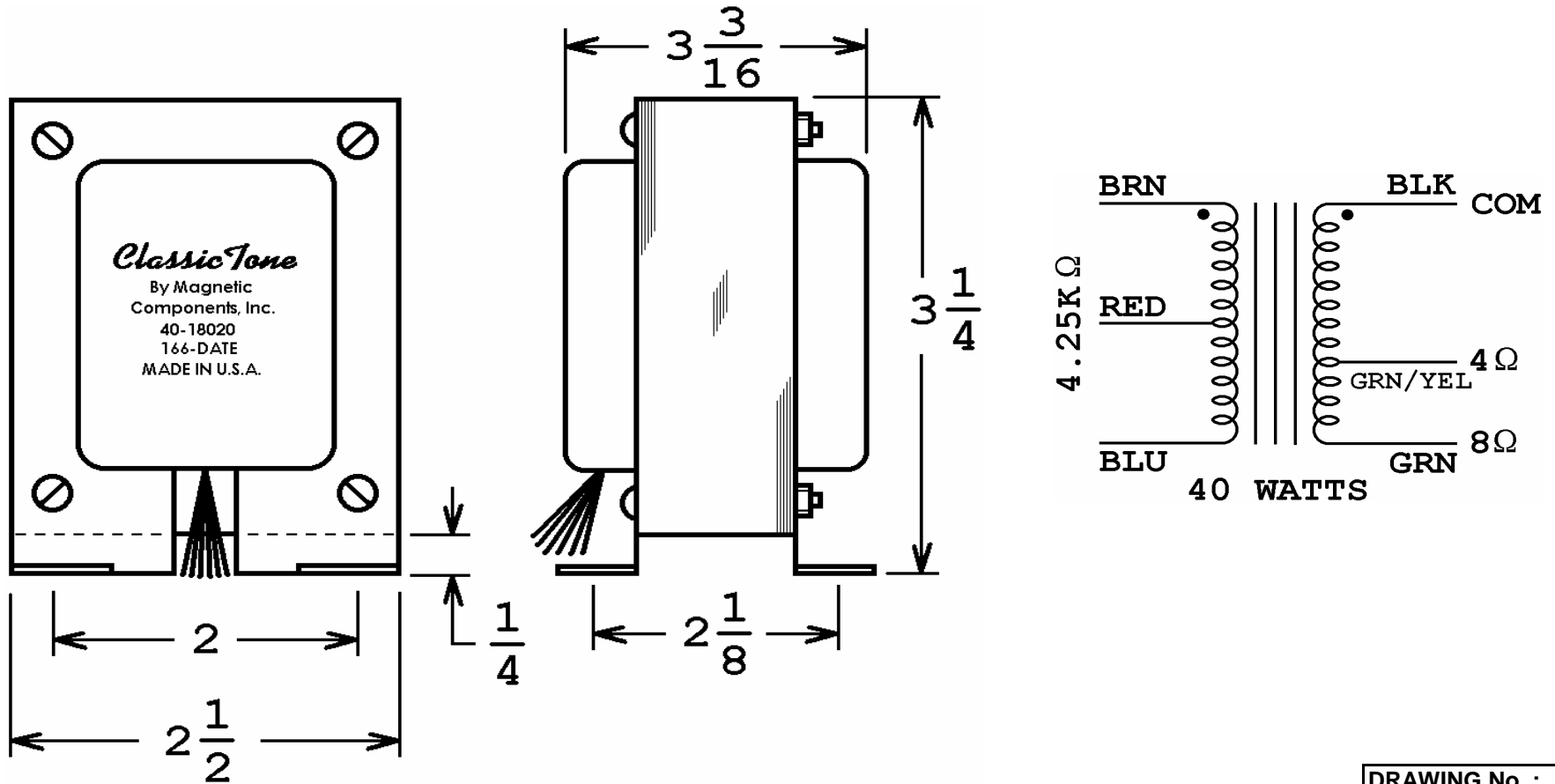


This drawing is the property of Magnetic Components, Inc. and shall not be reproduced, in whole or in part, without the written permission of Magnetic Components, Inc.

REVISIONS			
LTR	DESCRIPTION	DATE	APPROVED



DRAWING No. :
OOA-85233
DIV :
LOC : SCHILLER PK

UNLESS OTHERWISE SPECIFIED		SIGNATURES		DATE		MAGNETIC COMPONENTS, INC.		TITLE	
ALL DIMENSIONS IN INCHES DO NOT SCALE DRAWING		DRAWN : <i>[Signature]</i>		04 SEP 09		CAGE 50508		PART No. 40-18020	
CHECK :		APPR : <i>[Signature]</i>		04 SEP 09		SCALE NONE		REV -	
FRACTIONS +/-						SIZE A		SHEET :	
.X = +/-									
.XX = +/-									
.XXX = +/-									
ANGLES = +/-									

HOT ROD DELUXE OUTPUT
050438