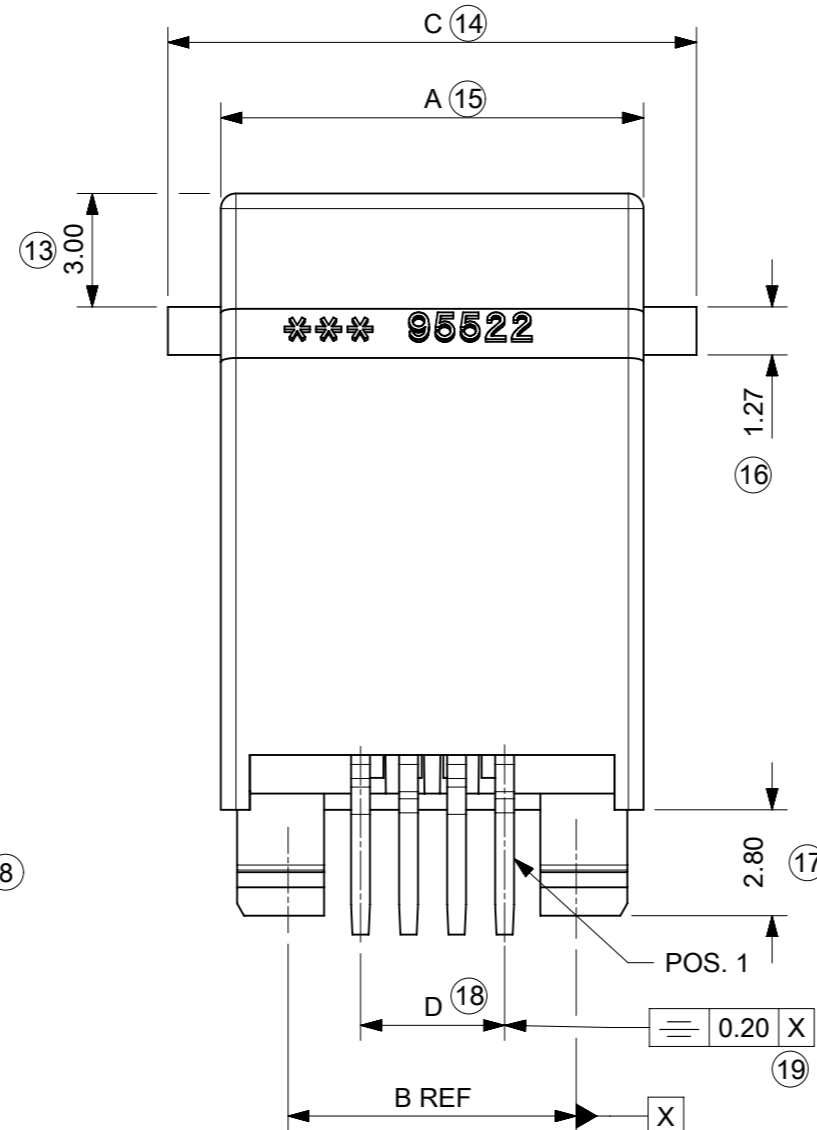
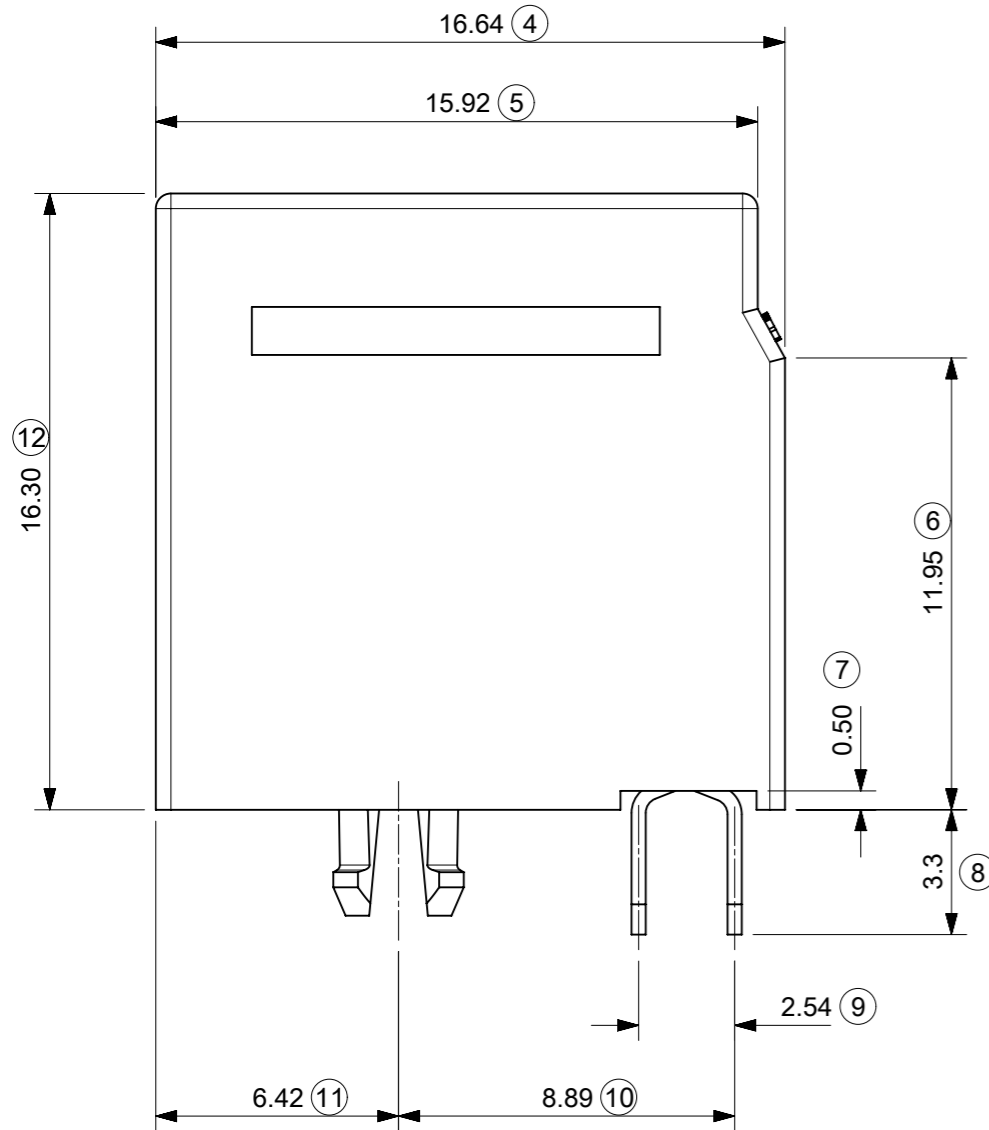
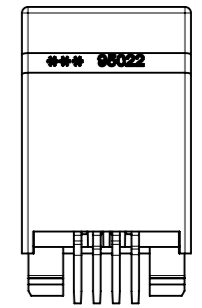
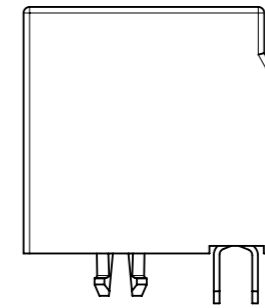


VERSION WITHOUT RIBS

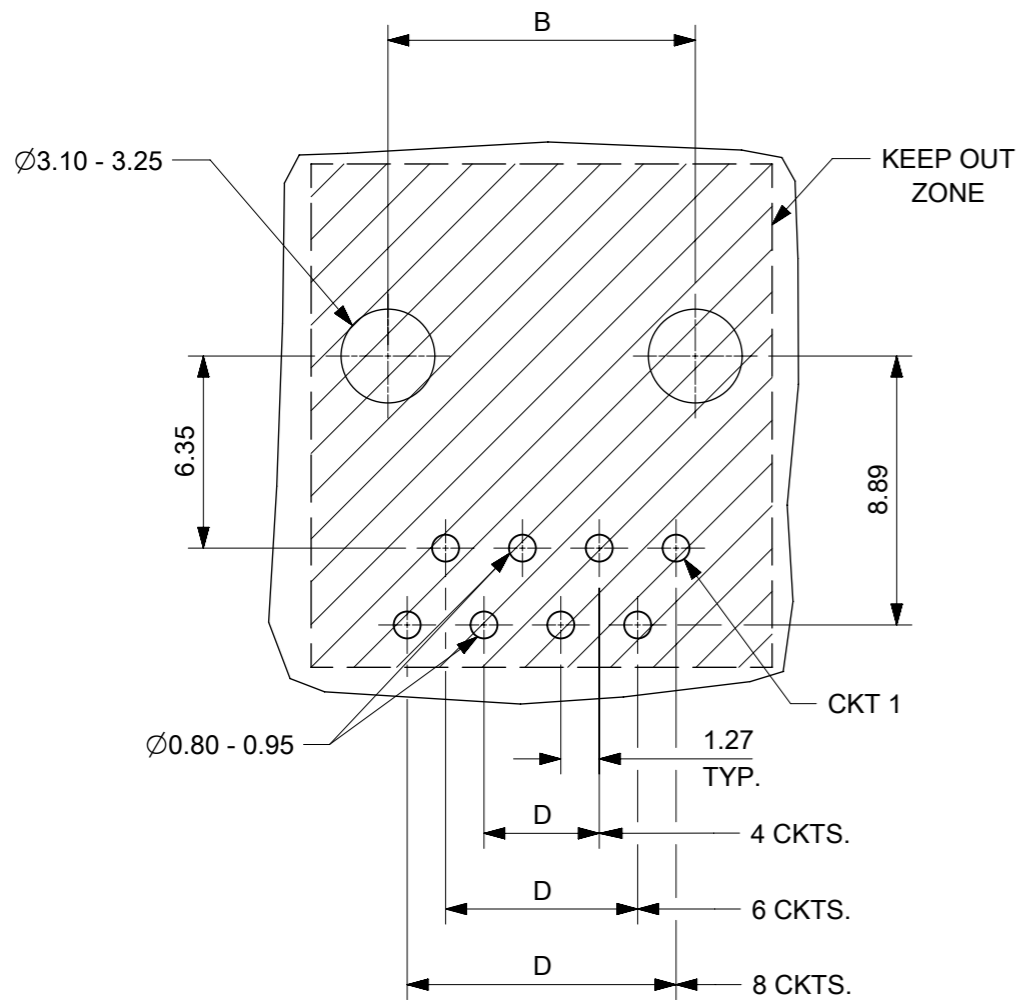


NOTES:

1. MATERIAL:
HOUSING: LCP FIBER GLASS FILLED 94-V0 COLOR BLACK
TERMINAL: COPPER ALLOY PLATED WITH:
BASE FINISH: NICKEL
CONTACT SURFACE FINISH:
GOLD
OR
GOLD FLASH OVER PALLADIUM NICKEL
EXCEEDS PRODUCT REQUIREMENTS BASED ON PS-95522-002
2. PC BOARD THICKNESS: 1.57
3. JACK FOR MATING WITH IEC 60603-7 AND TIA-1096-A PLUGS
4. PRODUCT SPECIFICATION PS-95522-002.
5. APPLICATION SPECIFICATION AS-85513-001
6. PACKAGING SPECIFICATION PK-95022. (SHT. 1 TRAY PACKAGING)
PK-95022. (SHT. 2 TUBE PACKAGING)
7. FOR ILLUSTRATION PURPOSES A 4 CIRCUIT IS SHOWN
8. PACKAGING SPECIFICATION RPK-95022-001 (TUBE PACKAGING)
9. MANUFACTURING I.D. CAN BE EITHER MG, MXF, MXI OR MXCH.

LAST INSPECTION NUMBER: 19

THIS DRAWING CONTAINS INFORMATION THAT IS PROPRIETARY TO MOLEX ELECTRONIC TECHNOLOGIES, LLC AND SHOULD NOT BE USED WITHOUT WRITTEN PERMISSION									
DIMENSION UNITS	SCALE	CURRENT REV DESC: REMASTERED USING 3D MODELS							
mm	5:1	molex							
GENERAL TOLERANCES (UNLESS SPECIFIED)									
ANGULAR TOL ± 2.0°		HIGH PROFILE TOP ENTRY JACK							
4 PLACES ±		PRODUCT CUSTOMER DRAWING							
3 PLACES ±		DOCUMENT NUMBER: SD-95522-001 DOC TYPE: PSD DOC PART: 002 REVISION: G1							
2 PLACES ± 0.25		MATERIAL NUMBER: SEE CHART CUSTOMER: GENERAL MARKET							
1 PLACE ± 0.35		SHEET NUMBER: 1 OF 2							
0 PLACES ±		DRAWING: A3-SIZE SERIES: 95522							
DRAFT WHERE APPLICABLE MUST REMAIN WITHIN DIMENSIONS		THIRD ANGLE PROJECTION		DRAWING		SERIES		MATERIAL NUMBER	
				A3-SIZE		95522		SEE CHART	



MOUNTING HOLE PATTERNS
(SEE FROM COMPONENT SIDE
ALL DIMENSIONS REF DIMENSIONS)

PART NUMBERS FOR JACK WITH RIBS									
TYPE	PACKAGING	POS. 4	TOOLED	POS. 6	TOOLED	POS. 6	TOOLED	POS. 8	TOOLED
		4 CKTS.		4 CKTS.		6 CKTS.		8 CKTS.	
	TRAY	95522-2447	X	95522-2647	X	95522-2667	X	95522-2887	X
	TUBE					95522-2617 SEE NOTE 8 SH. 1	X		

PART NUMBERS FOR JACK WITHOUT RIBS					
TYPE	PACKAGING	POS. 6	TOOLED	POS. 8	TOOLED
		6 CKTS.		8 CKTS.	
	TRAY	95522-2661	X	95522-2881	
	TUBE	95522-2611	X		

DIM. \ TYPE	POS. 4	POS. 6		POS. 8
	4 CKTS.	4 CKTS.	6 CKTS.	8 CKTS.
A	11.18	13.21	13.21	15.24
B	7.62	10.16	10.16	11.43
(WITH RIBS)	14.00	16.00	16.00	18.00
C				
D	3.81	3.81	6.35	8.89
H	7.82	9.88	9.88	11.94
J	5.64	6.70	6.70	6.30
K	3.07	4.06	4.06	4.06

THIS DRAWING CONTAINS INFORMATION THAT IS PROPRIETARY TO MOLEX ELECTRONIC TECHNOLOGIES, LLC AND SHOULD NOT BE USED WITHOUT WRITTEN PERMISSION										
DIMENSION UNITS mm	SCALE 4:1	CURRENT REV DESC: REMASTERED USING 3D MODELS				molex				
GENERAL TOLERANCES (UNLESS SPECIFIED)		EC NO: 686851								
ANGULAR TOL	± 2.0°	DRWN: SANTHN 2021/06/10				HIGH PROFILE TOP ENTRY JACK				
4 PLACES	±	CHK'D: KLANG 2022/01/13				PRODUCT CUSTOMER DRAWING				
3 PLACES	±	APPR: KLANG 2022/01/13				DOCUMENT NUMBER				
2 PLACES	± 0.25	INITIAL REVISION:				SD-95522-001		DOC TYPE	DOC PART	REVISION
1 PLACE	± 0.35	DRWN: KNOLLER 2004/09/01				PSD		002	G1	
0 PLACES	±	APPR: KNOLLER 2004/09/09				SERIES		SHEET NUMBER		
DRAFT WHERE APPLICABLE MUST REMAIN WITHIN DIMENSIONS		THIRD ANGLE PROJECTION	DRAWING	SERIES	MATERIAL NUMBER	CUSTOMER	SHEET NUMBER			
			A3-SIZE	95522	SEE CHART	GENERAL MARKET	2 OF 2			