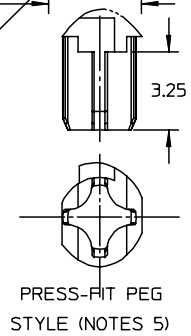
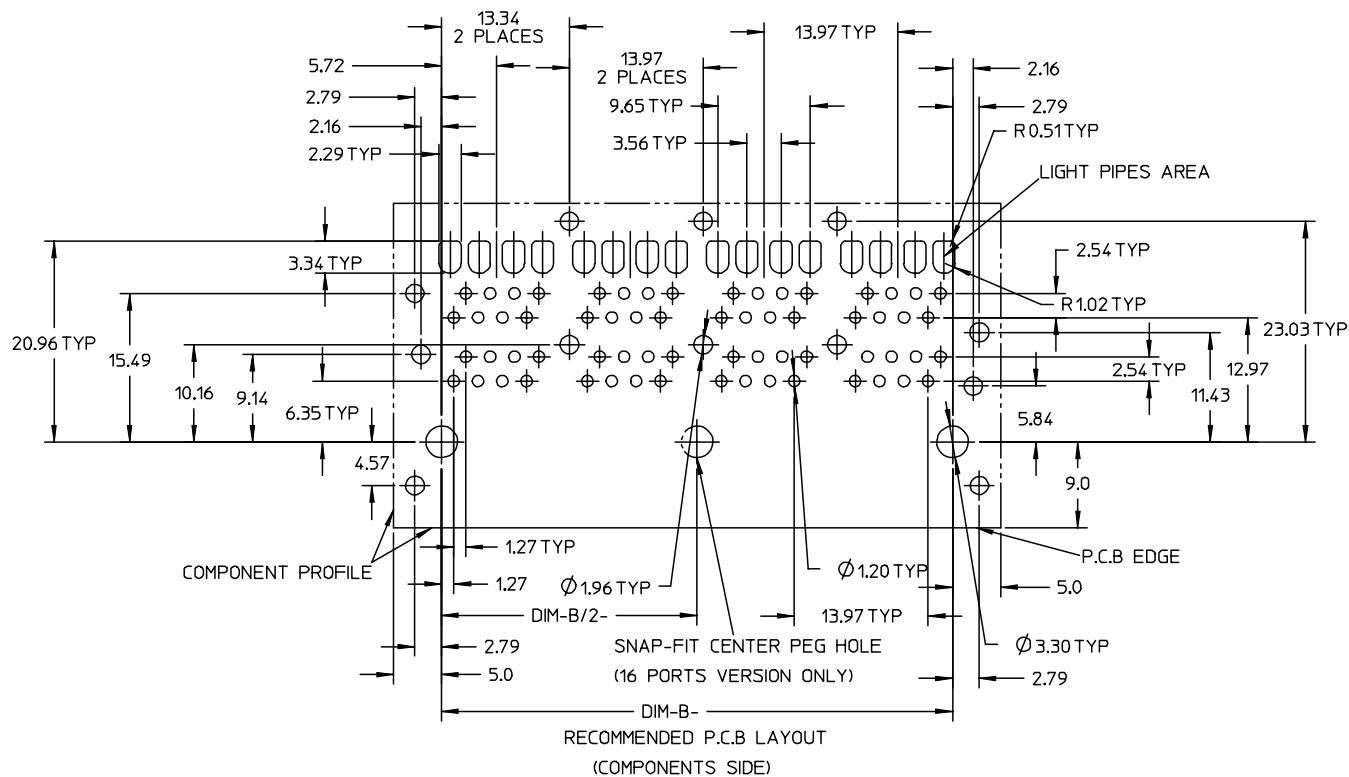


ASSEMBLY MATERIAL No.	No. OF PORTS	PEG STYLE	DIM-A	DIM-B	SIDE PANEL GROUND TABS	INNER GROUND TABS
67838-0081	8 (2X4)	SNAP-FIT	59.18	53.34	YES	YES
67838-2081	8 (2X4)	SNAP-FIT	59.18	53.34	NO	YES
67838-3081	8 (2X4)	SNAP-FIT	59.18	53.34	YES	NO
67838-4081	8 (2X4)	SNAP-FIT	59.18	53.34	NO	NO
67838-0084	8 (2X4)	PRESS-FIT	59.18	53.34	YES	YES
67838-2084	8 (2X4)	PRESS-FIT	59.18	53.34	NO	YES
67838-3084	8 (2X4)	PRESS-FIT	59.18	53.34	YES	NO
67838-4084	8 (2X4)	PRESS-FIT	59.18	53.34	NO	NO
67838-0082	12(2X6)	SNAP-FIT	87.12	81.28	YES	YES
67838-2082	12(2X6)	SNAP-FIT	87.12	81.28	NO	YES
67838-3082	12(2X6)	SNAP-FIT	87.12	81.28	YES	NO
67838-4082	12(2X6)	SNAP-FIT	87.12	81.28	NO	NO
67838-0085	12(2X6)	PRESS-FIT	87.12	81.28	YES	YES
67838-2085	12(2X6)	PRESS-FIT	87.12	81.28	NO	YES
67838-3085	12(2X6)	PRESS-FIT	87.12	81.28	YES	NO
67838-4085	12(2X6)	PRESS-FIT	87.12	81.28	NO	NO
67838-0083	16(2X8)	SNAP-FIT	115.06	109.22	YES	YES
67838-2083	16(2X8)	SNAP-FIT	115.06	109.22	NO	YES
67838-3083	16(2X8)	SNAP-FIT	115.06	109.22	YES	NO
67838-4083	16(2X8)	SNAP-FIT	115.06	109.22	NO	NO
67838-0806	16(2X8)	PRESS-FIT	115.06	109.22	YES	YES
67838-2806	16(2X8)	PRESS-FIT	115.06	109.22	NO	YES
67838-3806	16(2X8)	PRESS-FIT	115.06	109.22	YES	NO
67838-4806	16(2X8)	PRESS-FIT	115.06	109.22	NO	NO

- NOTES:
- MATERIAL:
    - HOUSING: POLYESTER(PBT), GLASS FILLED,UL94V-0.COLOR: BLACK.
    - LIGHT PIPES: POLYCARBONATE,UL94V-0. COLOR: CLEAR.
    - TERMINALS: PHOSPHOR BRONZE.
    - SHIELD: BRASS.
  - PLATING:
    - TERMINALS: 50u" MIN. GOLD PLATE AND 50u" MIN.PURE TIN PLATE OVER 50u" MIN. NICKEL UNDERPLATE.
    - SHIELD: SELECTIVE 50u" MIN. PURE TIN PLATE AT SOLDERING TAILS OVER 50u" MIN. NICKEL UNDERPLATE.
  - PRODUCT SPECIFICATION: PS-67838-002.
  - PACKAGING: CONNECTOR ASSEMBLY IN THERMOFORMED TRAY.
  - CONNECTORS AVAILABLE WITH EITHER SNAP-FIT OR PRESS-FIT PEGS.
  - CONFORMS TO FCC REGULATION PART 68.5 FOR MODULAR JACKS.
  - P.C.B LAYOUT SHOWN AS RECOMMEND LAYOUT (SHEET 2).
  - AVAILABLE WITH THE (8) PANEL GROUND TABS REMOVE ON EACH SIDE FOR SIDE TO SIDE STACKABILITY.
  - TERMINAL LENGTH MAY BE DIFFERENT FROM TERMINAL TO TERMINAL.



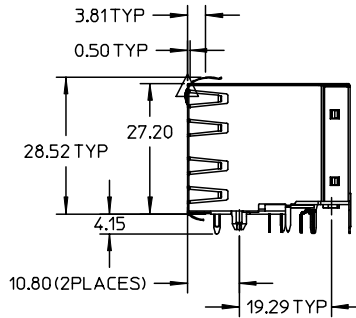
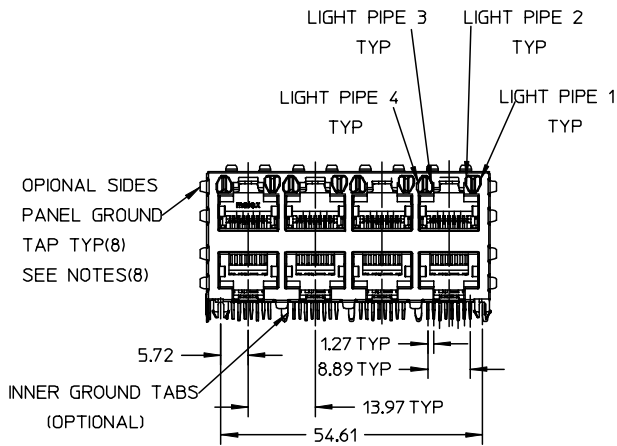
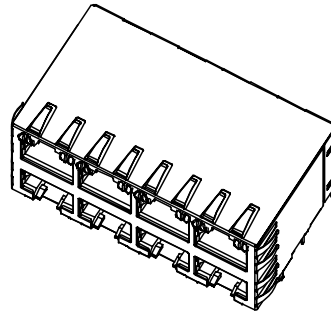
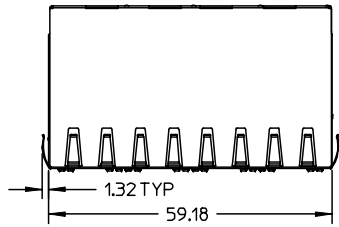
NEW RELEASE EC NO: SH2006-0055 DRWN: DHU CHK: CHK APPR: YTYAP	DESCRIPTION REV	QUALITY SYMBOLS	GENERAL TOLERANCES (UNLESS SPECIFIED)	SCALE 1:1	DESIGN UNITS METRIC	THIRD ANGLE PROJECTION	REVISE ON CAD ONLY		
		-0 -0	mm	INCH	DIMENSION STYLE		STACKED MODULAR JACK WITH LIGHT PIPES LEAD-FREE  MOLEX INCORPORATED		
			4 PLACES ± ---	± ---	MM ONLY				
			3 PLACES ± ---	± ---	DRAWN BY DAVID HU	DATE 2005/08/10			
2 PLACES ± 0.25	± ---	1 PLACE ± 0.3	± ---	CHECKED BY HARVEY	DATE 2005/08/10	TITLE			
DRAFT WHERE APPLICABLE			ANGULAR ± 1/2 °		APPROVED BY VINCENT	DATE 2005/08/10	MATERIAL NO. SEE CHART	DOCUMENT NO. SD-67838-002	SHEET NO. 1 OF 4
MUST REMAIN WITHIN DIMENSIONS			THIS DRAWING CONTAINS INFORMATION THAT IS PROPRIETARY TO MOLEX INCORPORATED AND SHOULD NOT BE USED WITHOUT WRITTEN PERMISSION						



NOTES:

1. DIMENSION TOLERANCE: .XX+/-0.05  
.X +/-0.3.
2. DIM-A- SEE THE SHEET 1.

NEW RELEASE EC NO: SH2006-0035 DRWN: DHU 2005/10/24 CHKD: 2005/11/08 APPR: YTYAP 2005/11/09	QUALITY SYMBOLS	GENERAL TOLERANCES (UNLESS SPECIFIED)		SCALE 1:1	DESIGN UNITS METRIC	THIRD ANGLE PROJECTION	REVISE ON CAD ONLY	
	▽ = 0	mm	INCH	DIMENSION STYLE MM ONLY		TITLE		
	▽ = 0	4 PLACES ± ---	± ---	DRAWN BY DATE		STACKED MODULAR JACK WITH LIGHT PIPES LEAD-FREE	MOLEX INCORPORATED	
		3 PLACES ± ---	± ---	DAVID HU 2005/08/10				
	2 PLACES ± 0.25	± ---	CHECKED BY DATE		MATERIAL NO.	DOCUMENT NO.	SHEET NO.	
	1 PLACE ± 0.3	± ---	ANGULAR ± 1/2°		HARVEY 2005/08/10	SEE SHEET 1	SD-67838-002	2 OF 4
		DRAFT WHERE APPLICABLE MUST REMAIN WITHIN DIMENSIONS		APPROVED BY DATE		THIS DRAWING CONTAINS INFORMATION THAT IS PROPRIETARY TO MOLEX INCORPORATED AND SHOULD NOT BE USED WITHOUT WRITTEN PERMISSION		
				VINCENT 2005/08/10				



NOTES:

1.MATERIAL:

HOUSING: POLYESTER(PBT), GLASS FILLED,UL94V-0.COLOR: BLACK.  
 LIGHT PIPES: POLYCARBONATE,UL94V-0.COLOR: CLEAR.  
 TERMINALS: PHOSPHOR BRONZE.  
 SHIELD: BRASS.

2.PLATING:

TERMINALS: 50u" MIN. GOLD PLATE AND 50u" MIN.PURE TIN PLATE OVER 50u" MIN. NICKEL UNDERPLATE.  
 SHIELD: SELECTIVE 50u" MIN. PURE TIN PLATE AT SOLDERING TAILS OVER 50u" MIN. NICKEL UNDERPLATE.

3.PRODUCT SPECIFICATION: PS-67838-002.

4.PACKAGING: CONNECTOR ASSEMBLE IN THERMOFORMED TRAY.

5.CONNECTORS AVAILABLE WITH PRESS-FIT PEGS ONLY.

6.CONFORMS TO FCC REGULATION PART 68.5 FOR MODULAR JACKS.

7.P.C.B LAYOUT SHOWN AS RECOMMEND LAYOUT (SHEET 4).

8.AVAILABLE WITH THE (8) PANEL GROUND TABS REMOVE ON EACH SIDE FOR SIDE TO SIDE STACKABILITY.

9.TERMINAL LENGTH MAY BE DIFFERENT FROM TERMINAL TO TERMINAL.

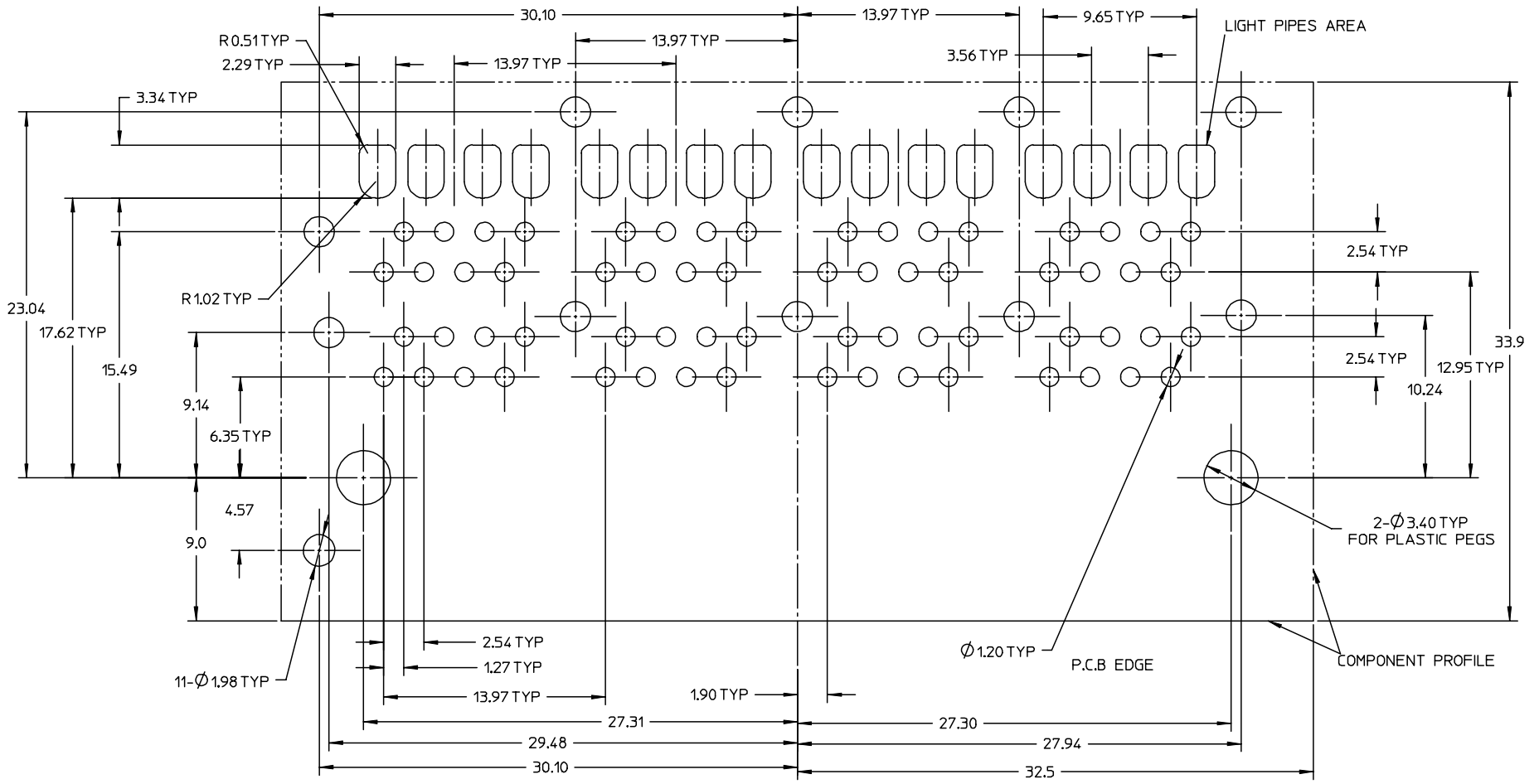
ASSEMBLY MATERIAL NO.	NO. OF PORTS	PEGS STYLE	SIDE PANEL GROUND TABS	INNER SHIELD GROUND TABS
67838-0184	8(2X4)	SNAP-FIT	YES	YES
67838-2184	8(2X4)	SNAP-FIT	NO	YES
67838-3184	8(2X4)	SNAP-FIT	YES	NO
67838-4184	8(2X4)	SNAP-FIT	NO	NO

NEW RELEASE EC NO: SH2006-0055 DRWN:DHU 2005/10/24 CHKD: 2005/11/08 APPR: YTYAP 2005/11/09	QUALITY SYMBOLS
	▽ - 0 ▽ - 0
	DESCRIPTION
	REV

GENERAL TOLERANCES (UNLESS SPECIFIED)	
	mm INCH
4 PLACES	± --- ± ---
3 PLACES	± --- ± ---
2 PLACES	± 0.25 ± ---
1 PLACE	± 0.3 ± ---
ANGULAR ±1/2°	
DRAFT WHERE APPLICABLE	
MUST REMAIN WITHIN DIMENSIONS	

SCALE 1:1	DESIGN UNITS METRIC
DIMENSION STYLE MM ONLY	
DRAWN BY DAVID HU	DATE 2005/08/10
CHECKED BY HARVEY	DATE 2005/08/10
APPROVED BY VINCENT	DATE 2005/08/10

THIRD ANGLE PROJECTION	REVISE ON CAD ONLY
TITLE STACKED MODULAR JACK WITH LIGHT PIPES LEAD-FREE	
MOLEX INCORPORATED	
MATERIAL NO. SEE CHART	DOCUMENT NO. SD-67838-002
SHEET NO. 3 OF 4	
THIS DRAWING CONTAINS INFORMATION THAT IS PROPRIETARY TO MOLEX INCORPORATED AND SHOULD NOT BE USED WITHOUT WRITTEN PERMISSION	



RECOMMENDED P.C.B LAYOUT  
COMPONENT SIDE

- NOTES:  
 1. DIMENSION TOLERANCE: .XX +/- 0.05  
         .X +/- 0.3.  
 2. DIM-A- SEE THE SHEET 1.

NEW RELEASE EC NO: SH2006-0055 DRWN: DHU 2005/10/24 CHKD: 2005/11/08 APPR: YTYAP 2005/11/09 <b>A</b>	QUALITY SYMBOLS ▽ 0 ▽ 0 C 0	GENERAL TOLERANCES (UNLESS SPECIFIED)		SCALE: 1:1	DESIGN UNITS: METRIC	THIRD ANGLE PROJECTION	REVISE ON CAD ONLY	
				DIMENSION STYLE: MM ONLY		TITLE: STACKED MODULAR JACK WITH LIGHT PIPES LEAD-FREE		
		4 PLACES ± --- ± --- 3 PLACES ± --- ± --- 2 PLACES ± 0.25 ± --- 1 PLACE ± 0.3 ± ---		DRAWN BY: DAVID HU DATE: 2005/08/10		MOLEX INCORPORATED		
		ANGULAR ± 1/2°		CHECKED BY: HARVEY DATE: 2005/08/10		MATERIAL NO. SEE SHEET 3 DOCUMENT NO. SD-67838-002		
		DRAFT WHERE APPLICABLE MUST REMAIN WITHIN DIMENSIONS		APPROVED BY: VINCENT DATE: 2005/08/10		SHEET NO. 4 OF 4		
				THIS DRAWING CONTAINS INFORMATION THAT IS PROPRIETARY TO MOLEX INCORPORATED AND SHOULD NOT BE USED WITHOUT WRITTEN PERMISSION				