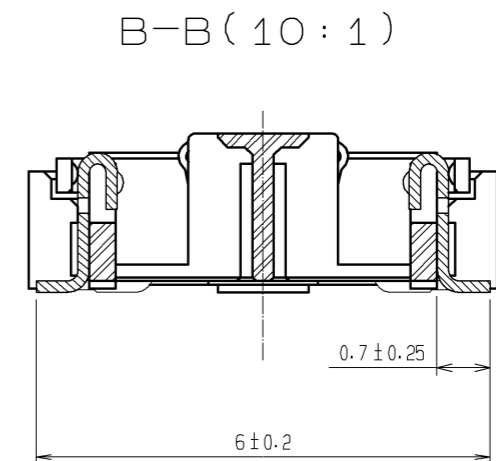
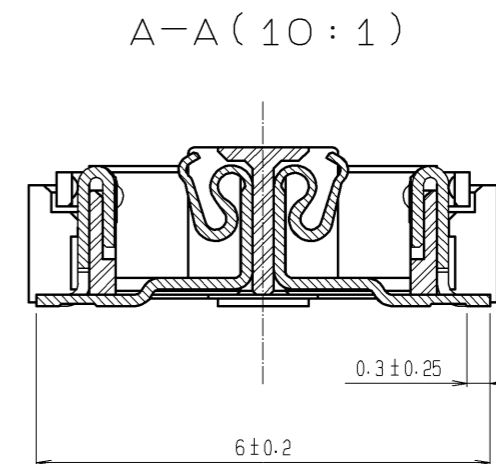
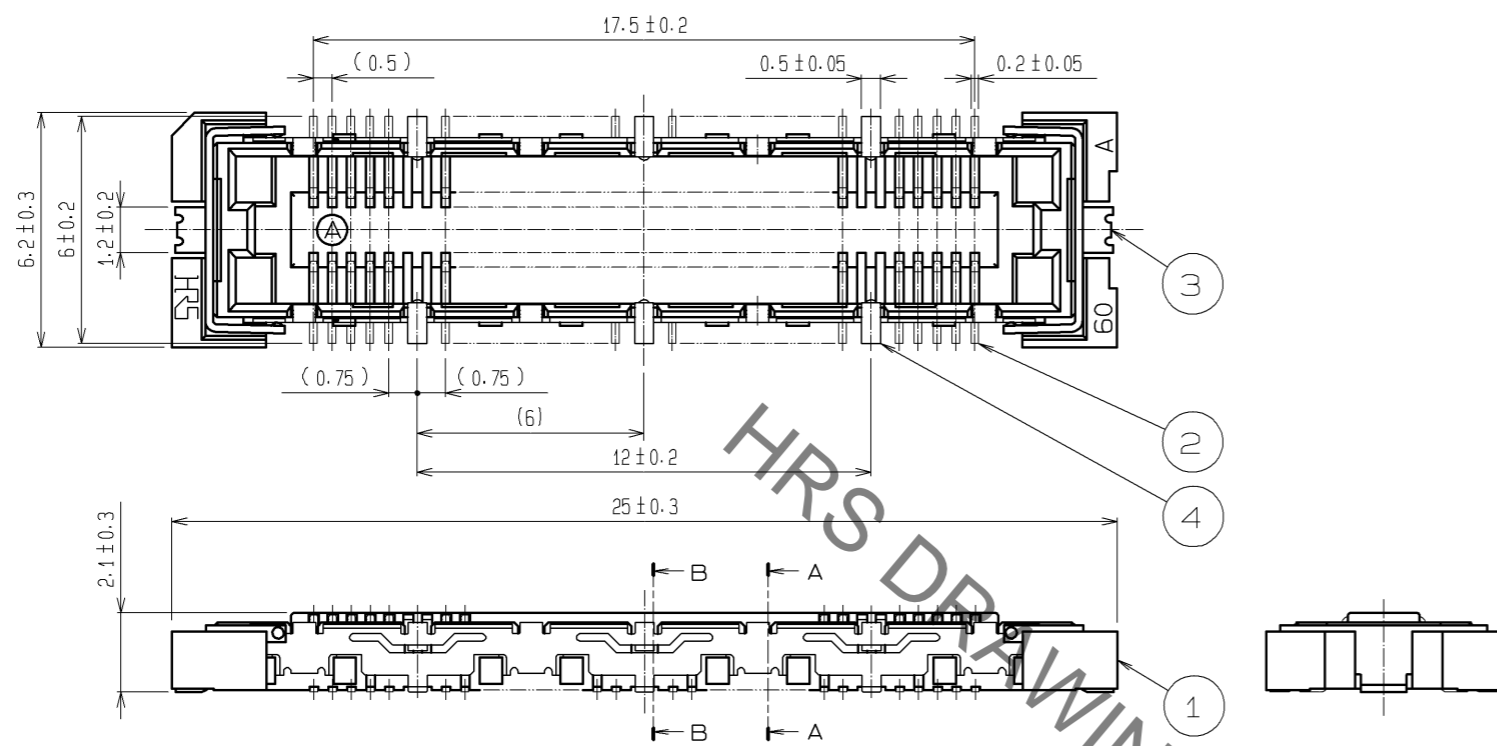
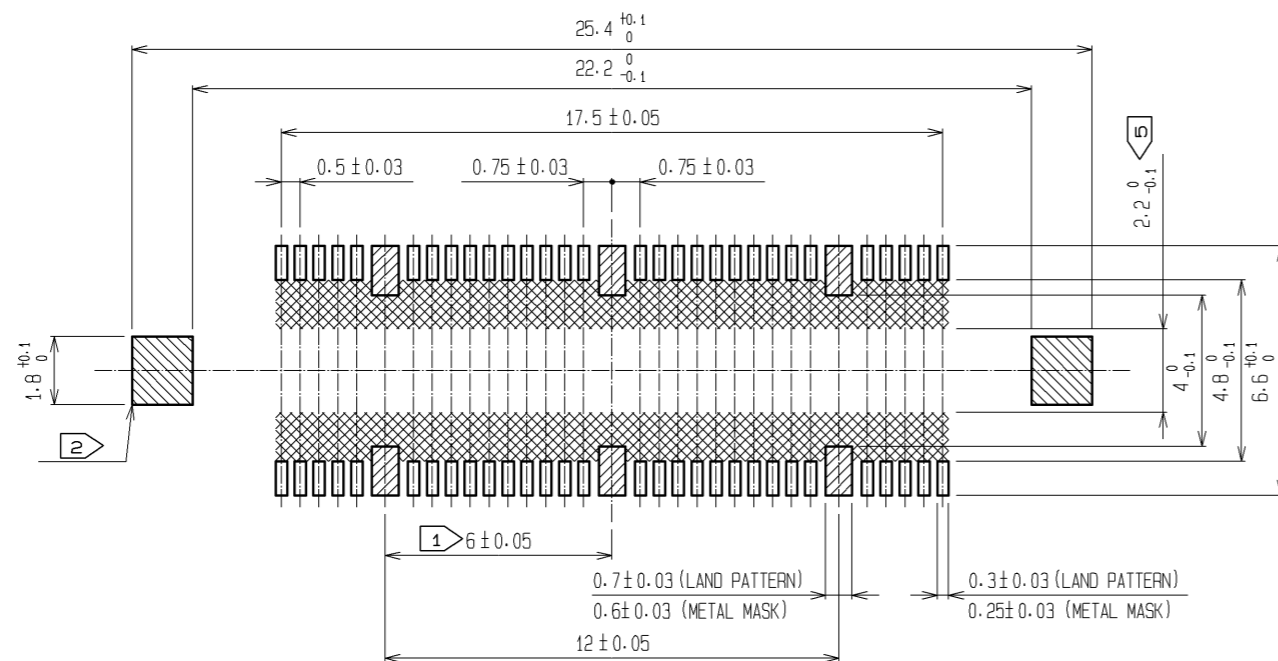


May.1.2023 Copyright 2023 HIROSE ELECTRIC CO., LTD. All Rights Reserved.
In case of consideration for using Automotive equipment / device which demand high reliability, kindly contact our sales window correspondents.



RECOMMENDED LAND PATTERN DIMENSION OF PCB
(RECOMMENDED METAL MASK THICKNESS: 0.15mm)



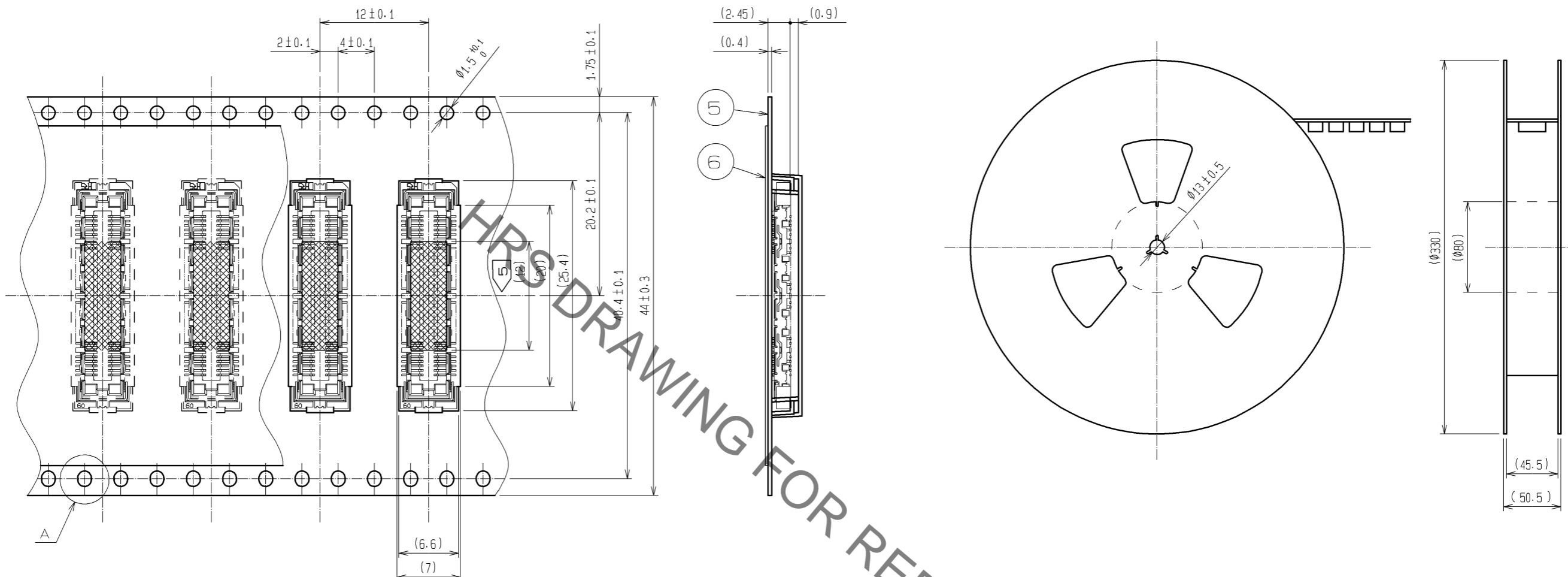
- NOTES
- ① 6 HATCHED PARTS: GROUND CIRCUIT.
 - ② 2 HATCHED PARTS: GROUND CIRCUIT.
 - ③ SMT LEAD-COPLANARITY: 0.1 MAX.
 - ④ THIS PRODUCT HAS NO POLARITY TO PATTERN FOR MOUNTING.
 - ⑤ MAKE SURE WIDTH OF PATTERN IS WITHIN THAT OF LAND .OR LEAD MAY TOUCH PATTERN. (THIS APPLIES TO HATCHED AREA.)
 - ⑥ TO BE EMBOSSED CARRIER TAPED AS SPECIFIED IN SHEET 2.
 - ⑦ THE DIMENSIONS IN PARENTHESES ARE FOR REFERENCE.

3, 4	PHOSPHOR BRONZE	TIN PLATING						
		CONTACT AREA : GOLD 0.1μm min.						
2	PHOSPHOR BRONZE	LEAD AREA : GOLD FLASH	7	POLYIMIDE	(TAPE FOR VACUUM PICKUP)			
		UNDER PLATING : NICKEL 1μm min.	6	PET	TOP COVER TAPE			
1	LCP	BEIGE UL94V-0	5	PS	EMBOSSED CARRIER TAPE			
NO.	MATERIAL	FINISH . REMARKS	NO.	MATERIAL	FINISH . REMARKS			
UNITS	mm	SCALE	5 : 1	COUNT	DESCRIPTION OF REVISIONS	DESIGNED	CHECKED	DATE
APPROVED : HS. OKAWA		08.06.11	DRAWING NO. EDC3-152636-22					
CHECKED : HT. YAMAGUCHI		08.06.11	PART NO. FX11B-60S/6-SV(92)					
DESIGNED : SY. KAMIGA		08.06.11	CODE NO. CL573-0712-2-92					
DRAWN : HK. SUNADORI		08.06.11	1/2					

May.1.2023 Copyright 2023 HIROSE ELECTRIC CO., LTD. All Rights Reserved.
 In case of consideration for using Automotive equipment / device which demand high reliability, kindly contact our sales window correspondents.

DRAWING FOR PACKING(2:1)

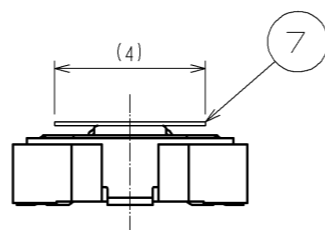
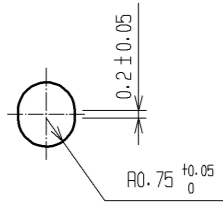
REELED DIMENSION(Free)



THE DIRECTION OF PULLING OUT

DETAIL FOR VACUUM PICKUP (5:1)

A (5:1)



- NOTES
- 1 REEL : 1000 CONNECTORS.
 - 2 MINIMUM 10 COMPARTMENTS FROM BOTH REEL ENDS REMAIN EMPTY.
 - 3 THIS PRODUCT HAS NO POLARITY TO TAPE AND REEL PACKAGING.
 - 4 THE DIMENSIONS IN PARENTHESES ARE FOR REFERENCE.
 - 5 REMOVE THE VACUUM PICKUP TAPE AFTER MOUNTING THE CONNECTOR.

HRS	DRAWING NO.	EDC3-152636-22
	PART NO.	FX11B-60S/6-SV(92)
	CODE NO.	CL573-0712-2-92
		2/2