

## SUMMARY

### # Wires

Coax 1



*Image is for illustrative purpose only*

Series 03  
Termination type Male solder  
IP rating 68 when mated  
AWG wire size 0.00 - 0.00  
Cable Ø 0.00 - 0.00 mm  
Status active  
Matching parts [HVP.03.250.CLLP](#)

### Download

[Request a quote](#)

[Catalog](#)

## TECHNICAL DETAILS

### Mechanics

Shell Style/Model FVN\*: Straight plug (coaxial) with cable collet and nut for fitting a bend relief  
Keying  
Housing Material Brass (chrome plated [SAE AMS 2460]) shell and collet nut, nickel plated [SAE AMS QQ N 290] brass latch sleeve and mid pieces  
Variant Z : Nut for fitting a bend relief  
Weight 8.25 g

### Performance

Configuration 03.250 : 1 Coax (50 Ohm)  
Insulator  
Rated Current

### Specifications

Contact Type: Solder

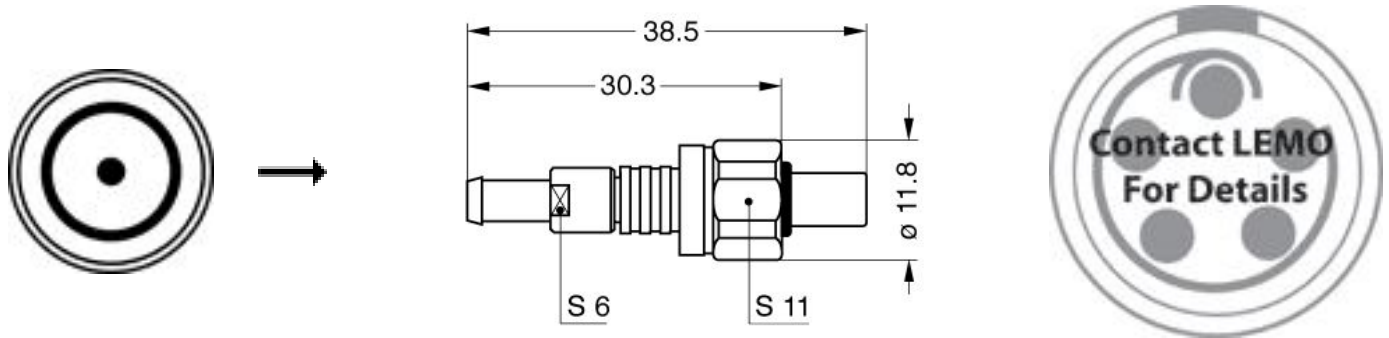
### Others

Temp (min / max): -20° C / +200° C  
Humidity (max): <=95% [at 60 deg C / 140 F]

*LEMO products and services are provided "as is". LEMO makes no warranties or representations with regard to LEMO product & services or use of them, express, implied or statutory, including for accuracy, completeness, or security. The user is fully responsible for his products and applications using LEMO components.*

Climatical Category: 20/200/21  
Shielding (min): 100 dB (10 MHz)  
Shielding (min): 80 dB (1 GHz)  
Salt Spray Corrosion: >1000 hr  
Pressure: 60 bars (120 bars with LEMO cable assembly)

## DRAWINGS



### Dimensions

	A	L	M	S1	S2
mm.	11.8	38.5	30.3	11	6
in.	0,46	1,52	1,19	0,43	0,24

## RECOMMENDED BY LEMO

### Tools

*LEMO products and services are provided "as is". LEMO makes no warranties or representations with regard to LEMO product & services or use of them, express, implied or statutory, including for accuracy, completeness, or security. The user is fully responsible for his products and applications using LEMO components.*