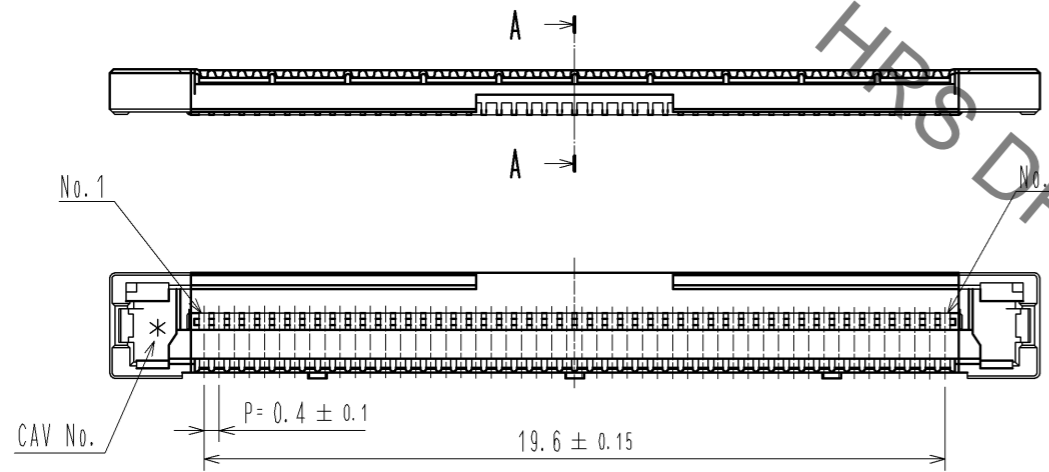
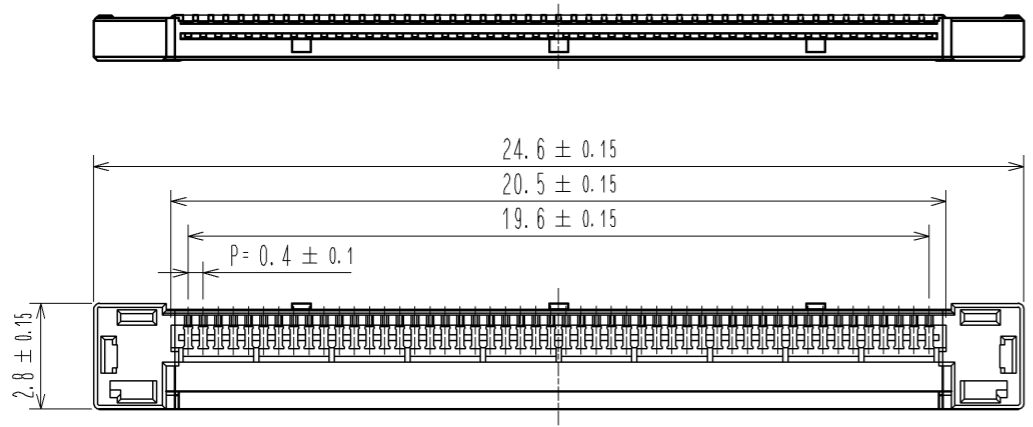
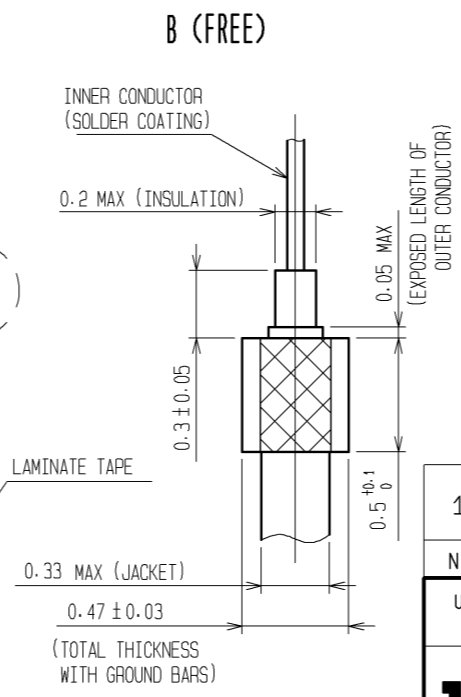
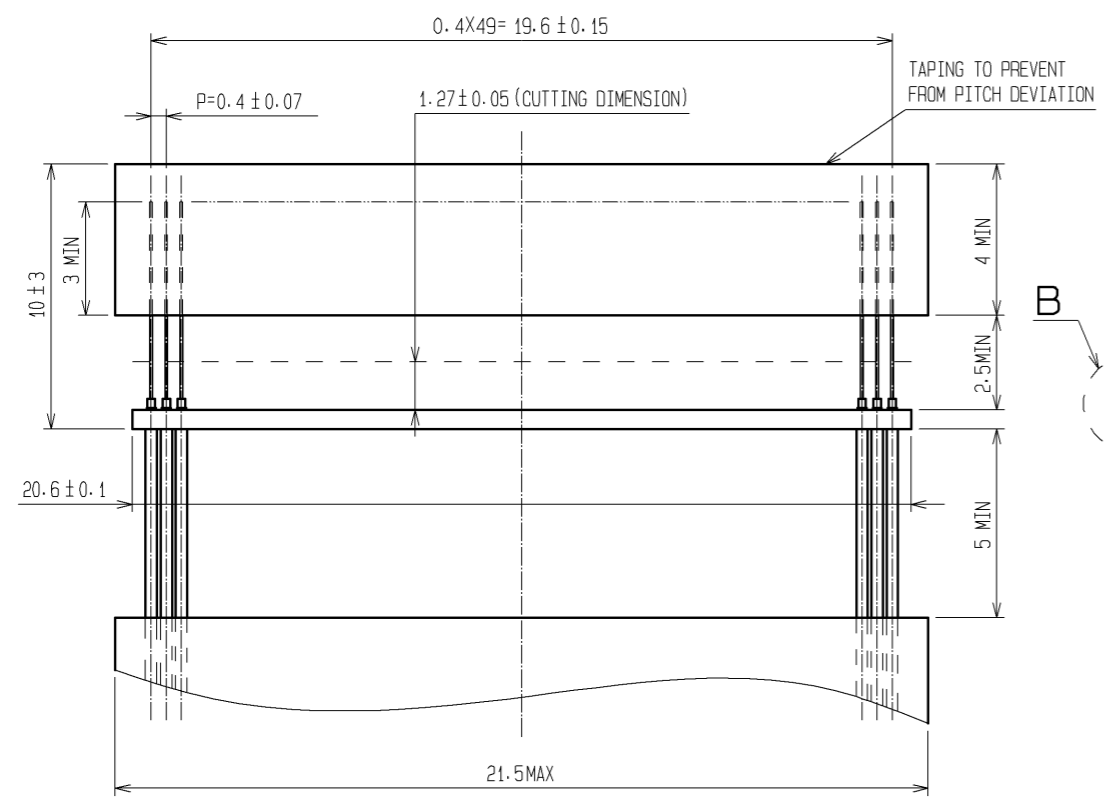


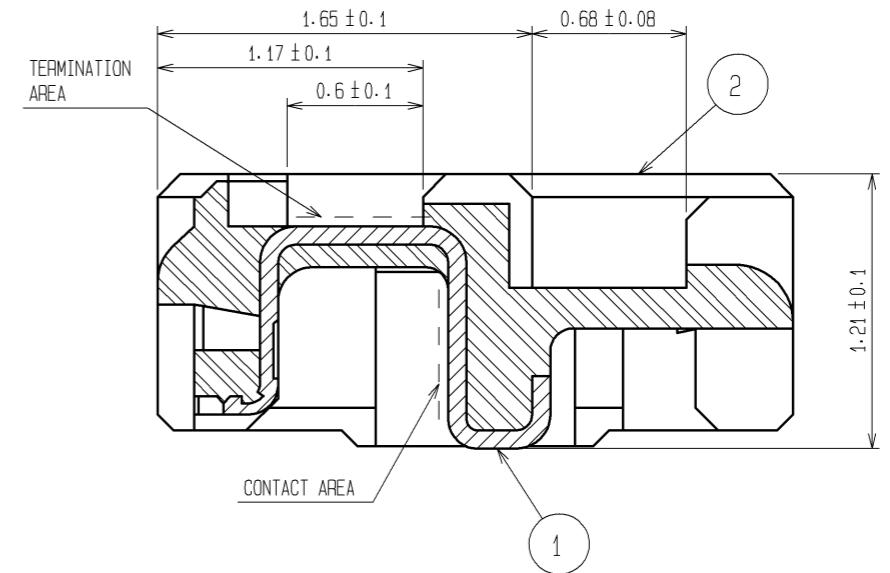
May.1.2023 Copyright 2023 HIROSE ELECTRIC CO., LTD. All Rights Reserved.  
In case of consideration for using Automotive equipment / device which demand high reliability, kindly contact our sales window correspondents.



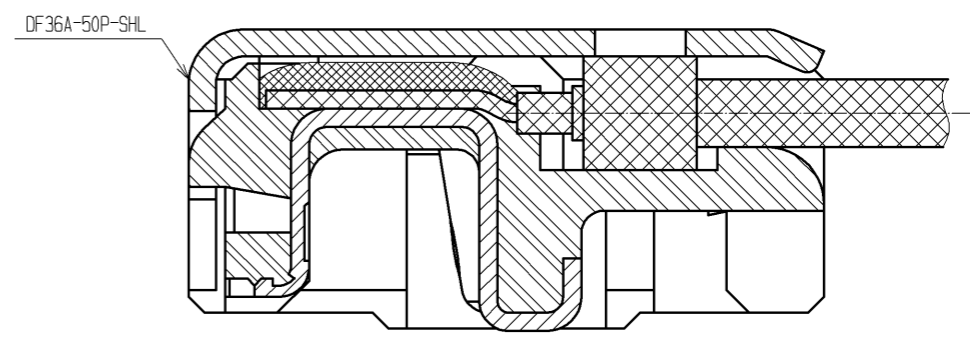
RECOMMENDED CABLE SUBASSEMBLY



A-A (FREE)



CABLE TERMINATION FIGURE (FREE)



NOTES 1. APPLICABLE CABLE: THIN COAXIAL CABLE (AWG#42-AWG#46)  
2. THIS CONNECTOR IS NOT HOT PLUGGABLE. MATE AND UNMATE WHILE THE POWER IS OFF.  
3. THE ASSEMBLY IS COMPLETED BY COMBINING TWO PARTS (CONNECTOR UNIT, AND METAL SHIELDING). REFER TO THE TABLE FOR EACH ITEM No., PART NAME, PART No. AND CODE No.

ITEM No.	PART NAME	PART No.	CODE No.
1, 2	CONNECTOR UNIT	DF36-50P-0.4SD(55)	CL662-4044-3-55
-	METAL SHIELDING	DF36A-50P-SHL	CL662-4045-6-00

5	PS	BLACK
4	POLYESTER	CLEAR
3	PS	CLEAR
2	LCP	UL94V-0, BLACK

NO.	MATERIAL	FINISH	REMARKS	NO.	MATERIAL	FINISH	REMARKS
1	PHOSPHOR BRONZE	CONTACT AREA : GOLD PLATING 0.1µm min TERMINATION AREA : GOLD PLATING 0.1µm min UNDER PLATING : NICKEL PLATING 1µm min		2	LCP	UL94V-0, BLACK	

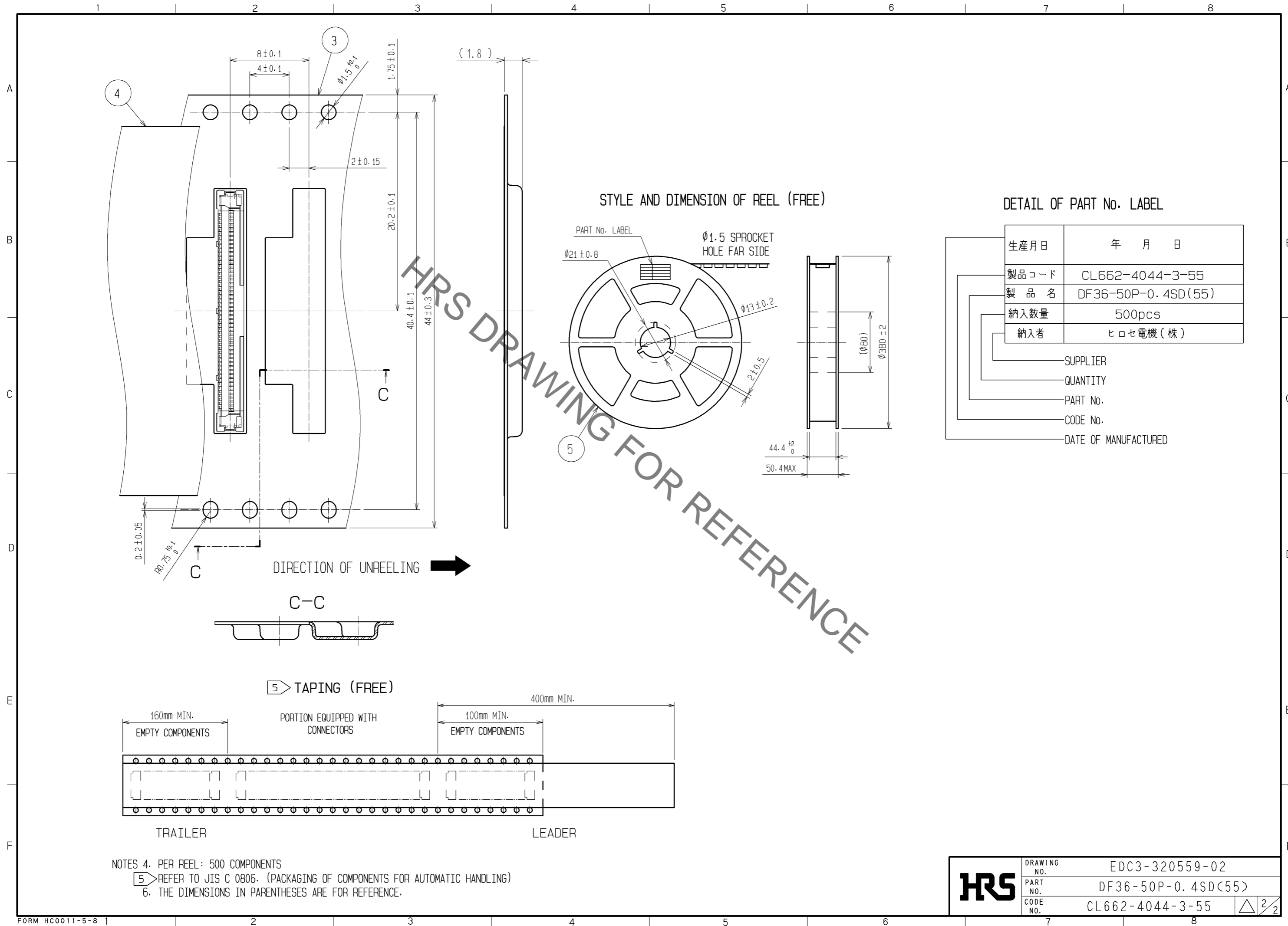
  

UNITS	SCALE	COUNT	DESCRIPTION OF REVISIONS	DESIGNED	CHECKED	DATE
mm	5 : 1	△	APPROVED : MH. YAMANE 14. 07. 18 CHECKED : MH. TSUCHIDA 14. 07. 17 DESIGNED : AH. MIYAZAKI 14. 07. 16 DRAWN : AH. MIYAZAKI 14. 07. 16			

DRAWING NO.	PART NO.	CODE NO.
EDC3-320559-02	DF36-50P-0.4SD(55)	CL662-4044-3-55

May.1.2023 Copyright 2023 HIROSE ELECTRIC CO., LTD. All Rights Reserved.  
In case of consideration for using Automotive equipment / device which demand high reliability, kindly contact our sales window correspondents.



<b>HRS</b>	DRAWING NO.	EDC3-320559-02
	PART NO.	DF36-50P-0.4SD(55)
	CODE NO.	CL662-4044-3-55
		$\triangle 2/2$