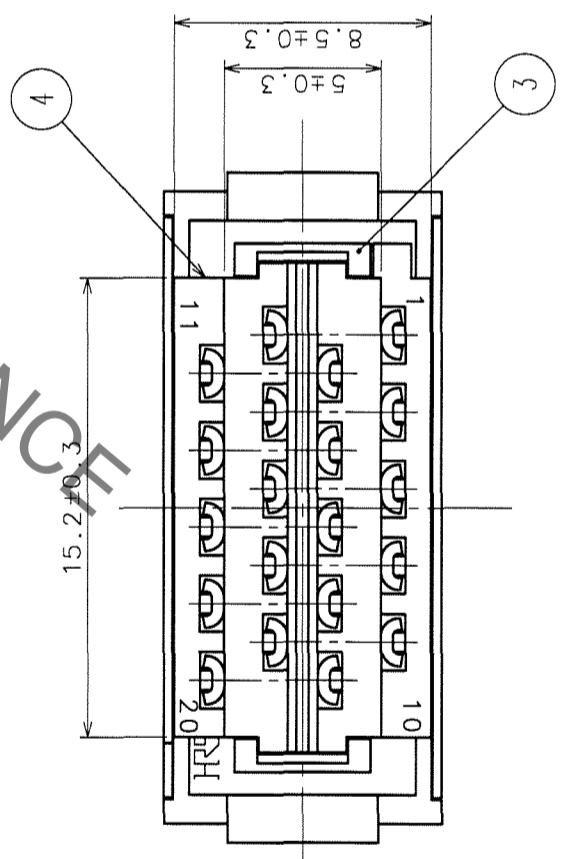
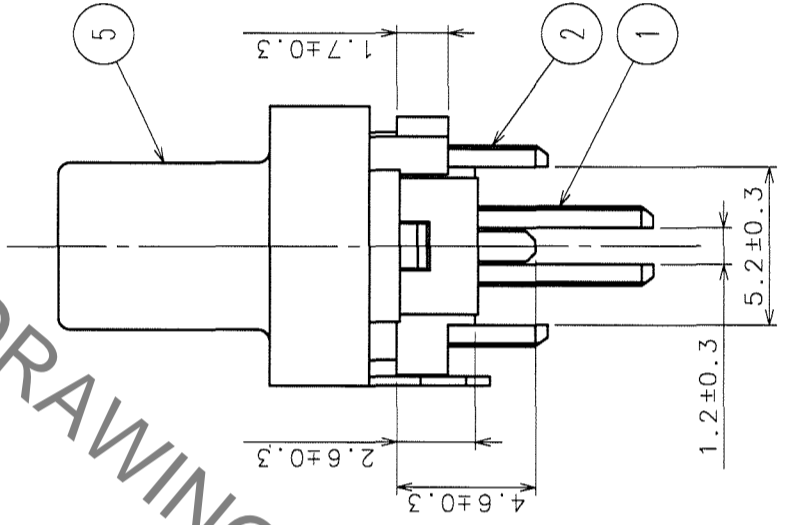
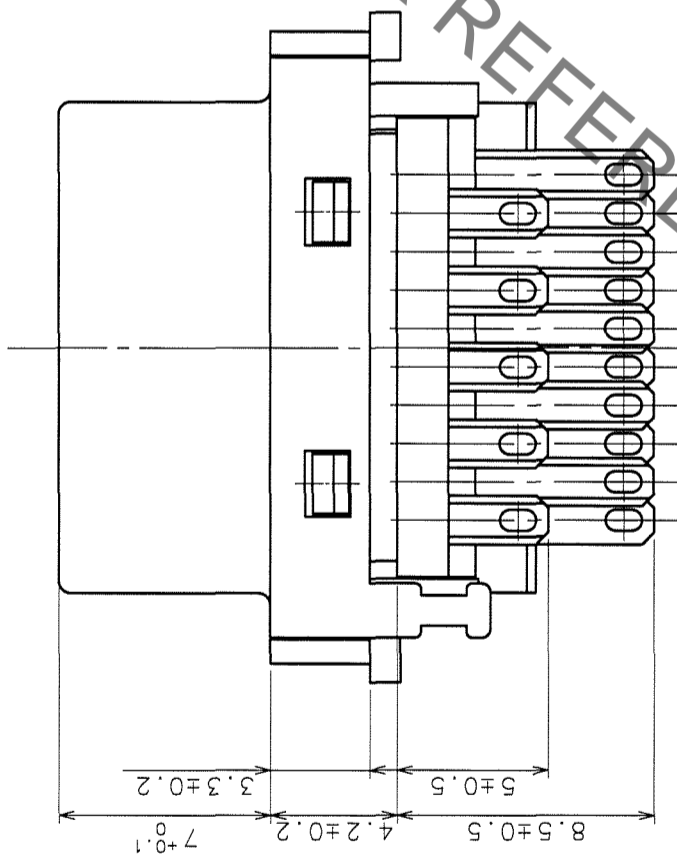
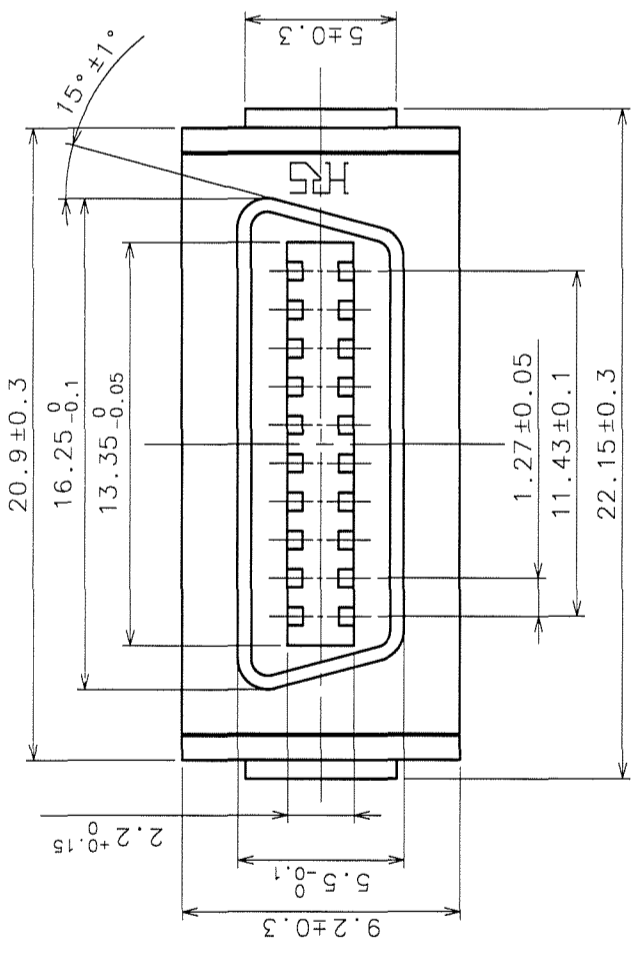


May.1.2023 Copyright 2023 HIROSE ELECTRIC CO., LTD. All Rights Reserved.
 In case of consideration for using Automotive equipment / device which demand high reliability, kindly contact our sales window correspondents.

COUNT	DESCRIPTION OF REVISIONS	BY	CHKD	DATE	COUNT	DESCRIPTION OF REVISIONS	BY	CHKD	DATE
△					△				
△					△				
△					△				



HRS DRAWING FOR REFERENCE

NO.	MATERIAL	FINISH, REMARKS	DRAWN	DESIGNED	CHECKED	APPROVED	RELEASED
2	PHOSPHOR BRONZE	SELECTIVE GOLD PLATING					
1	PHOSPHOR BRONZE	SELECTIVE GOLD PLATING					
5	STEEL	NICKEL PLATING					
						(BLACK) UL94V-0	
						(BLACK) UL94V-0	

CODE NO. (OLD)

DRAWING NO. EDC3-120440-01

SCALE 4 : 1

UNITS mm

DRAWN M. Stone

DESIGNED F. Jangjich Y. Enami

CHECKED

APPROVED K. Murai

RELEASED

05.12.16

05.12.16

05.12.16

PART NO.	F140B-20S(50)
DRAWING NO.	EDC3-120440-01
SCALE	4 : 1
UNITS	mm
CODE NO.	CL230-0518-7-50

TO	
Q1	