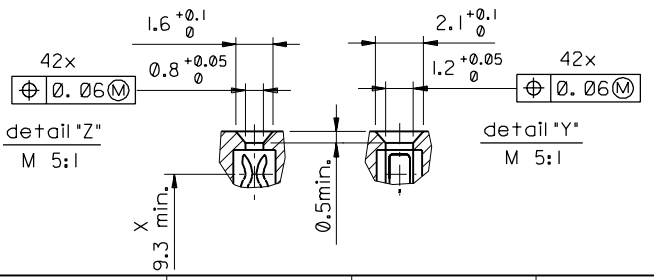
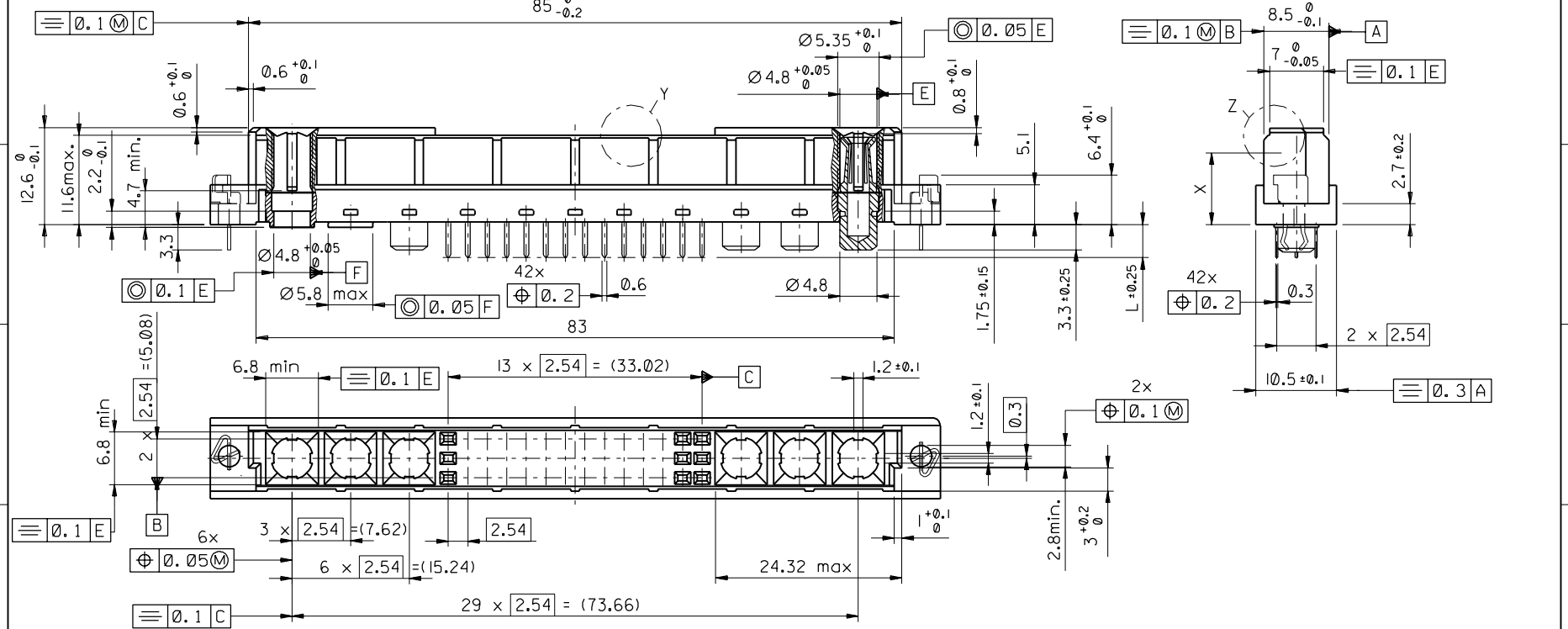
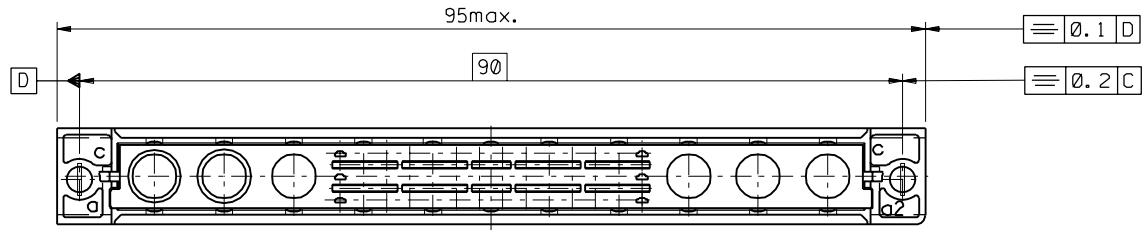


PART NO.  
DWG. NO.



FIRST ANGLE PROJECTION			REVISE ONLY ON CAD SYSTEM		SH.	REV.
UNLESS OTHERWISE SPECIFIED TOLERANCES: ANGULAR $\pm 2^\circ$	DRWG BY	SIGN	CAD/CAM PROJECT NAME			THIS DRAWING CONTAINS INFORMATION THAT IS PROPRIETARY TO MOLEX INC. & SHOULD NOT BE USED WITHOUT WRITTEN PERMISSION
INCH	KN		85048000 632			
3 PLACE $\pm$	CHK'D BY	SIGN	TITLE			42 pos. Federl. m. Loetsoko 42pos.fem. conn. w. sold.SOKO DIN 41612, style M
2 PLACE $\pm$	Ca		MOLEX EUROPE			
1 PLACE $\pm$	APP'D BY	SIGN	SHEET NO. DATE			
DRAFT WHERE APPLICABLE MUST REMAIN WITHIN DIMENSIONS	JB		2 OF 2   97/06/05			
DESIGN DIMENSION <input checked="" type="checkbox"/> MM <input type="checkbox"/> IN.	SCALE		PART NO.			SIZE
EQUIVALENT DIMENSION <input type="checkbox"/> MM <input type="checkbox"/> IN.	2:1		DWG NO.			B
IF TWO DIMENSIONS ARE SHOWN THE UPPER IS THE DESIGN DIMENSION, LOWER IS SECONDARY			SD-85048-0003			

ECN 2478  
first release

