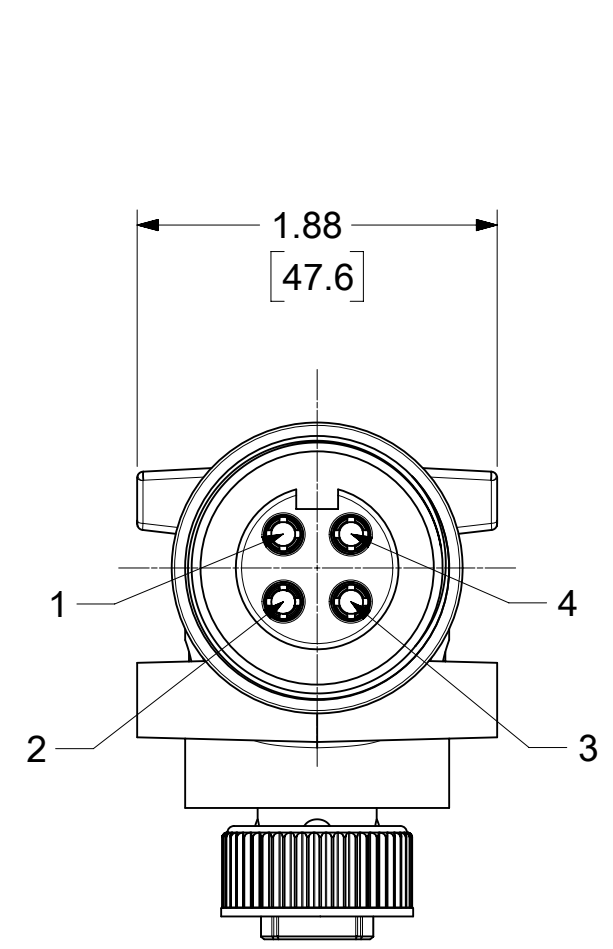
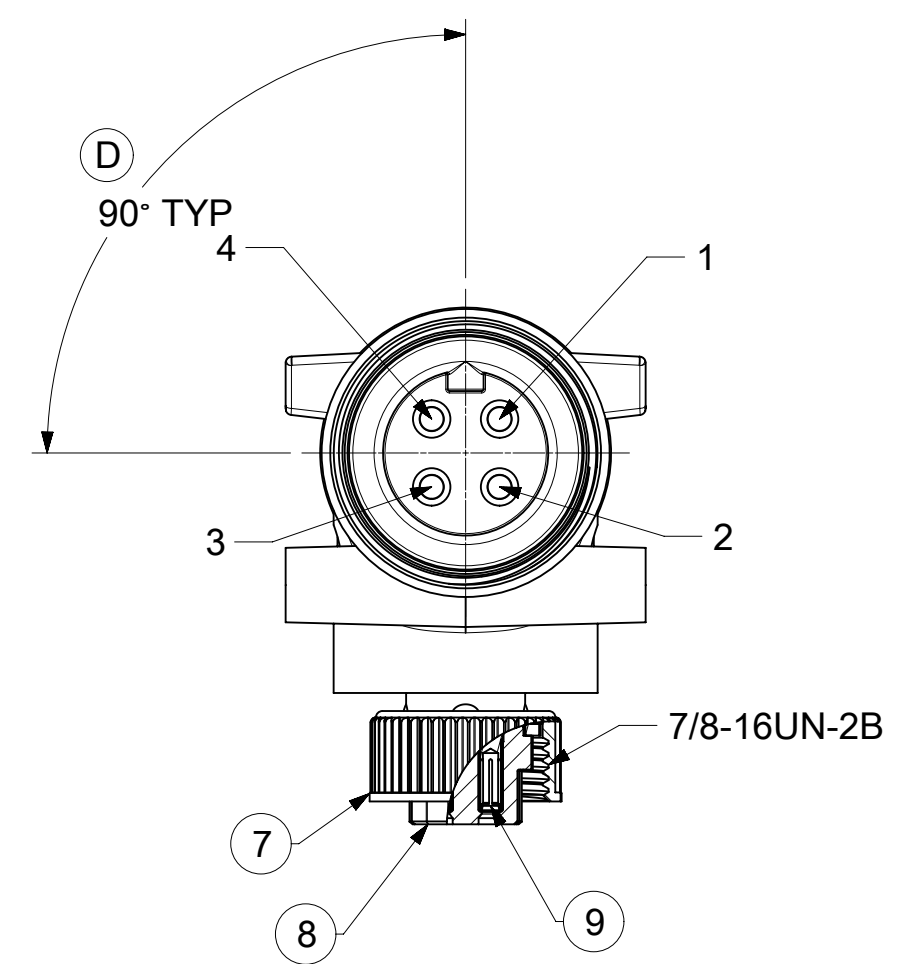
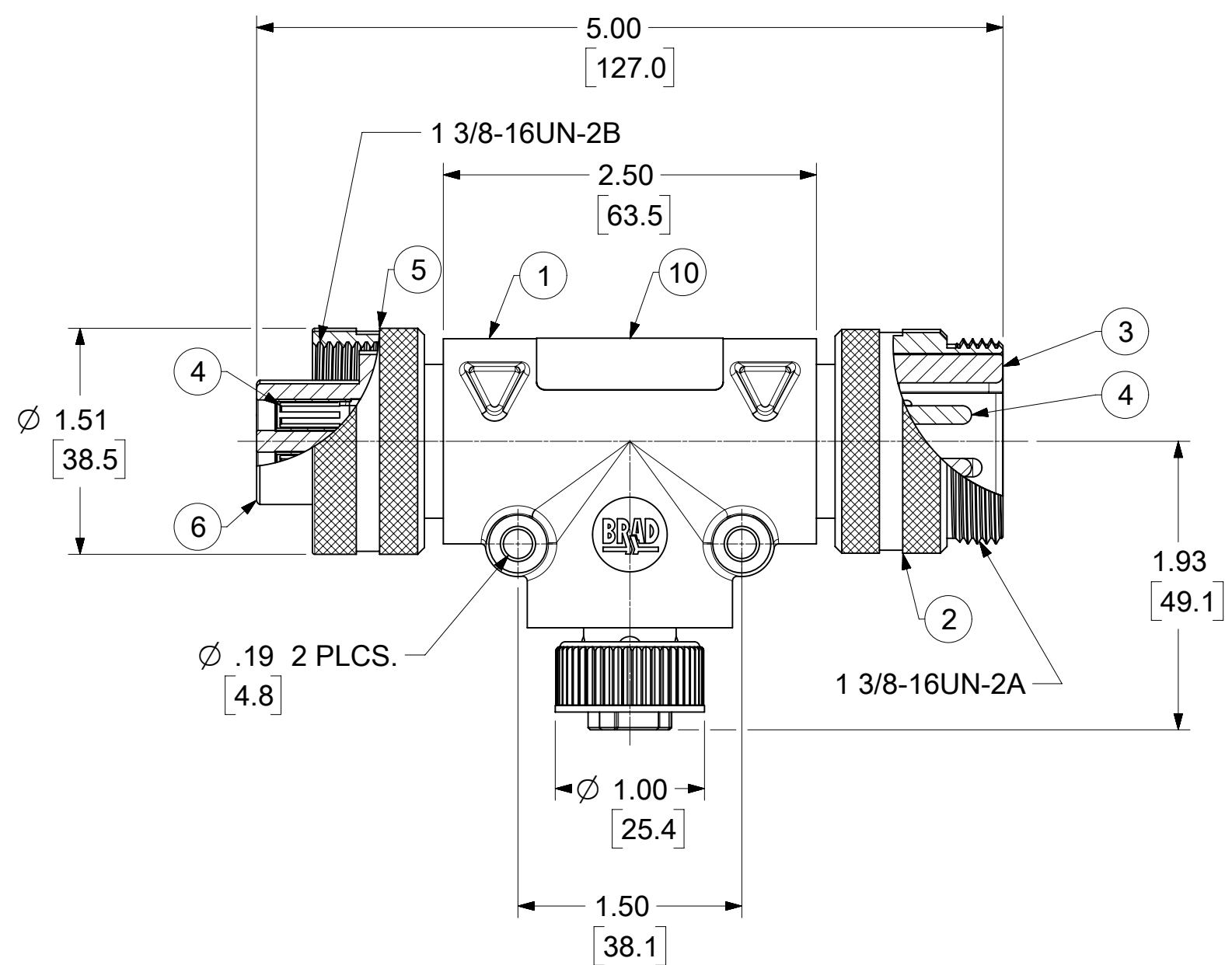


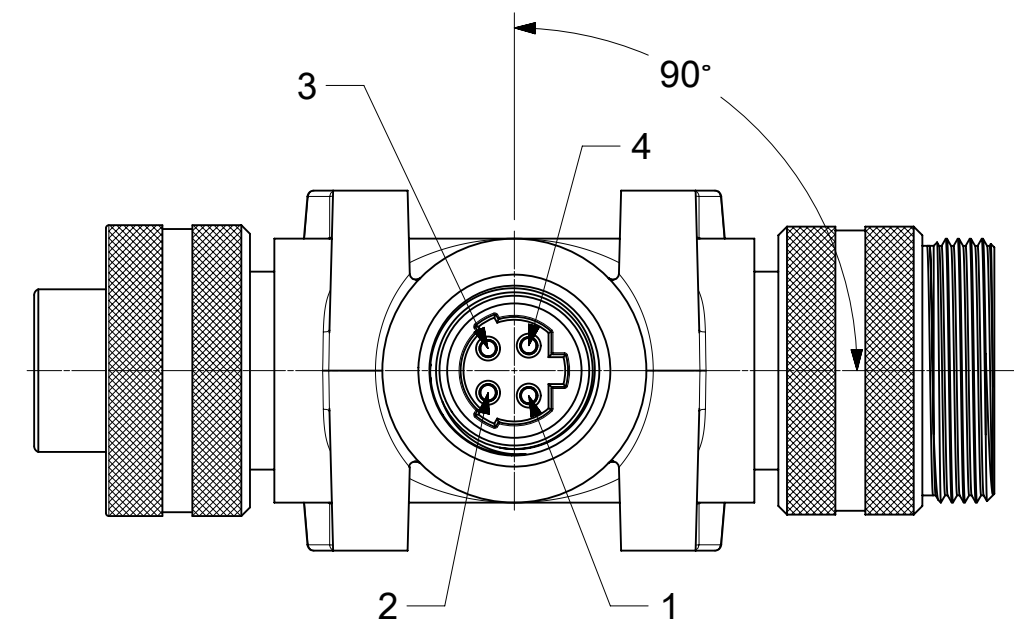
MATERIAL NO.	ENGINEERING NO.
1300680094	TC40141-200G



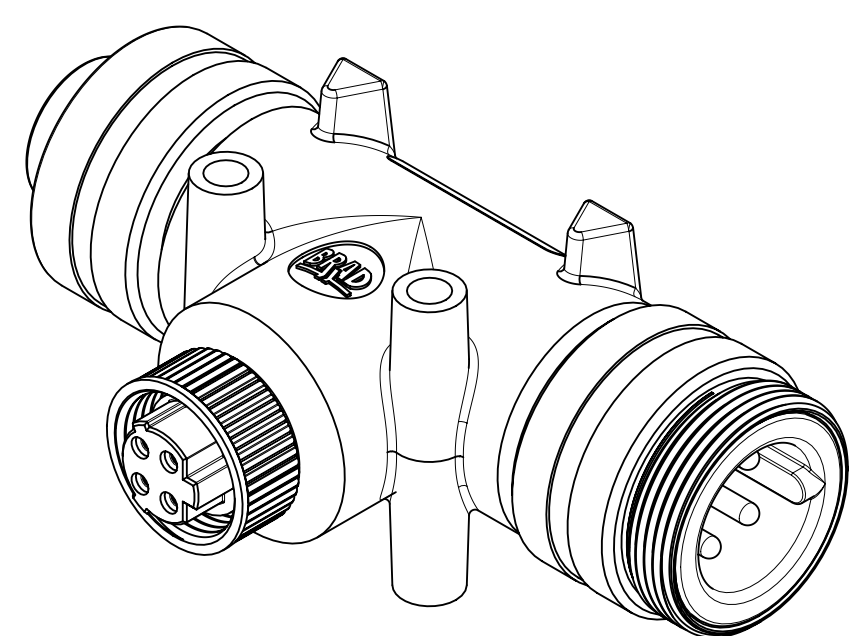
FEMALE FACE VIEW



MALE FACE VIEW



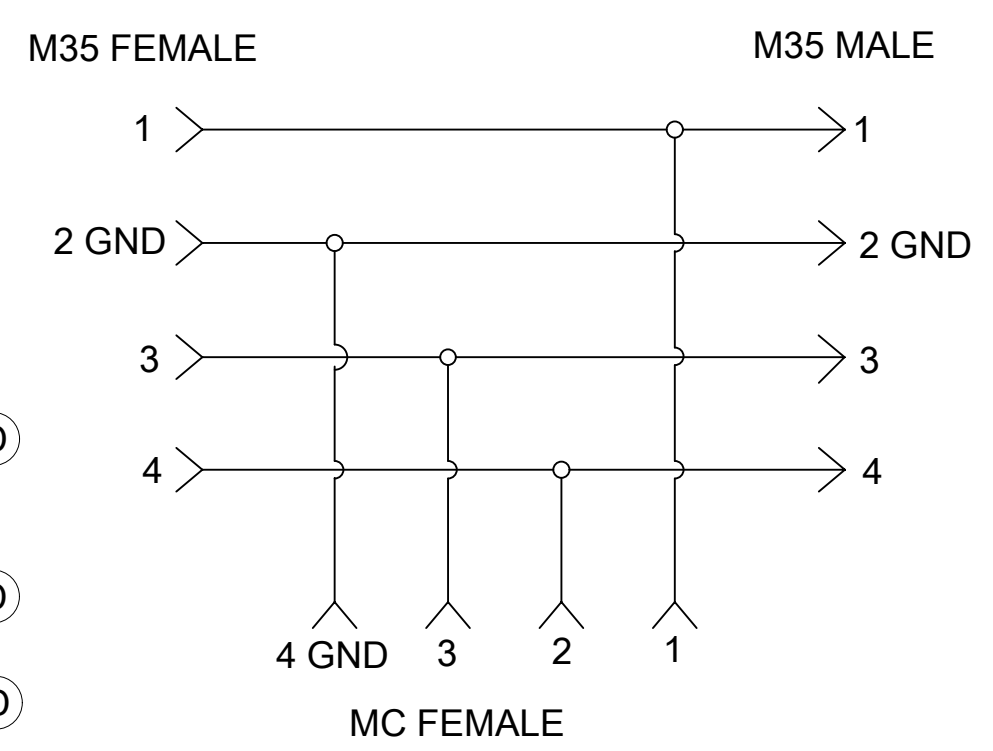
FEMALE DROP FACE VIEW



NOTES:

- 1) MATERIAL: SEE TABLE
- 2) FINISHES: SEE TABLE
- 3) ELECTRICAL RATINGS:
 MAX VOLTAGE: 483V PER IEC60664
 600V PER UL2237 (D)
 MAX THRU CURRENT: 32A
 MAX DROP CURRENT: 15A
- 4) PROTECTION IP67 (WHEN MATED)
- 5) TEMPERATURE RANGE: -20°C TO 90°C
- 6) UL LISTED FILE: E258922
- 7) ALL DIMENSIONS ARE FOR REFERENCE UNLESS TOLERANCED OR NOTED OTHERWISE

WIRING DIAGRAM



10	WARNING LABEL	VINYL	BLACK/ORANGE
9	MC SOCKET CONTACT	Cu ALLOY	GOLD OVER NICKEL
8	MC FEMALE INSERT, TRI-KEY	TPE	BLACK
7	MC COUPLING NUT	ZINC ALLOY	BLACK E-COAT
6	M35 FEMALE INSERT	TPE	BLACK
5	M35 FEMALE COUPLING NUT	ALUMINUM	CLEAR ANODIZE
4	PIN/SOCKET CONTACT	Cu ALLOY	GOLD OVER NICKEL
3	M35 MALE INSERT	TPE	BLACK
2	M35 MALE COUPLING NUT	ALUMINUM	CLEAR ANODIZE
1	OVERMOLD	TPE	BLACK
ITEM	DESCRIPTION	MATERIAL	FINISH

FUNCTIONAL SYMBOLS FA = 0 FE = 0 FP = 0	THIS DRAWING CONTAINS INFORMATION THAT IS PROPRIETARY TO MOLEX ELECTRONIC TECHNOLOGIES, LLC AND SHOULD NOT BE USED WITHOUT WRITTEN PERMISSION		CURRENT REV DESC: UPDATED ITEM# 1,3, & 6 WERE PVC & VOLTAGE. ADDED KEY ORIENTATION	
	DIMENSION UNITS INCH/MM	SCALE 1:1	EC NO: 704134	
DIVISIONAL SYMBOLS	GENERAL TOLERANCES (UNLESS SPECIFIED)		DRWN: AKABADI 2022/01/13	
	ANGULAR TOL ± °		CHK'D: RSTONE 2022/04/27	
	4 PLACES ±		APPR: BWOODMAN 2022/05/04	
	3 PLACES ±		INITIAL REVISION:	
2 PLACES ±		DRWN: BRUPERT 2011/07/15		
1 PLACE ±		APPR: JFMURPHY 2012/03/20		
0 PLACES ±		THIRD ANGLE PROJECTION		
DRAFT WHERE APPLICABLE MUST REMAIN WITHIN DIMENSIONS		DRAWING C-SIZE	SERIES 130068	DOCUMENT NUMBER SD-130068-017
		MATERIAL NUMBER SEE TABLE	CUSTOMER GENERAL MARKET	DOC TYPE PSD
		SHEET NUMBER 1 OF 1		DOC PART 001



BRAD POWER
M35 4 POLE TEE W/4POLE MC FEM TRI-KEY

PRODUCT CUSTOMER DRAWING

DOCUMENT NUMBER: SD-130068-017

DOC TYPE: PSD, DOC PART: 001, REVISION: D

MATERIAL NUMBER: SEE TABLE, CUSTOMER: GENERAL MARKET, SHEET NUMBER: 1 OF 1