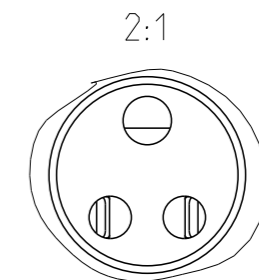
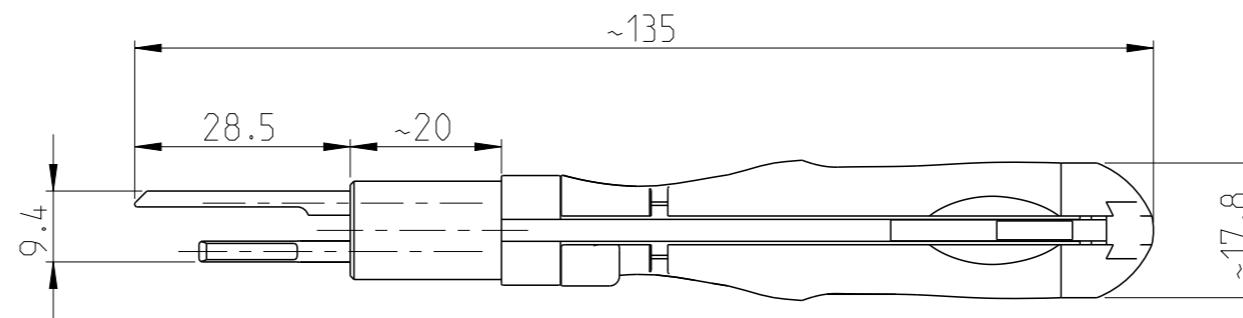
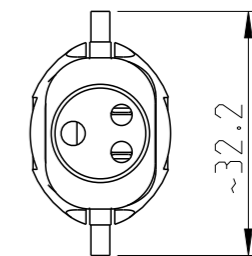
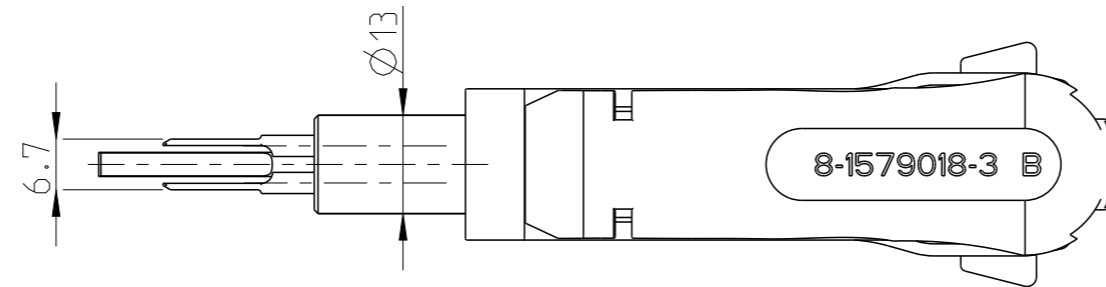
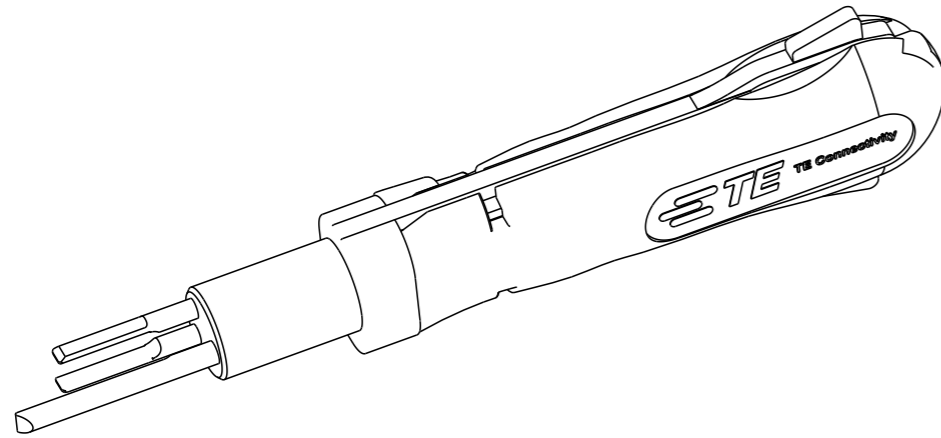


P	LTR	DESCRIPTION	DATE	DWN	APVD
B2		ECR-18-000808	19JAN2018	MG	BM
B3		ECR-20-008954	11JUL2020	PNT	GS



APPLICATION RANGE/  
Anwendungsbereich:

MIXED HOUSING 4 Pos.: 1564975  
CONTACT MCP 9,6 : 1-929153-1

THIS DRAWING IS A CONTROLLED DOCUMENT.		DWN	S. Samstag	02JUN2010		TE Connectivity		
DIMENSIONS: mm	TOLERANCES UNLESS OTHERWISE SPECIFIED:	CHK	G. Stegmayer	09SEP2010		NAME	EXTRACTION TOOL	
		APVD	G. Stegmayer	09SEP2010			Entriegelungswerkzeug	
		PRODUCT SPEC				SIZE	A3	
MATERIAL	FINISH	APPLICATION SPEC				CAGE CODE	00779	
		WEIGHT	0.037kg		DRAWING NO	C-8-1579018-3		
		CUSTOMER DRAWING				RESTRICTED TO	-	
		SCALE	1:1		SHEET	1 OF 1		
		REV	B3					