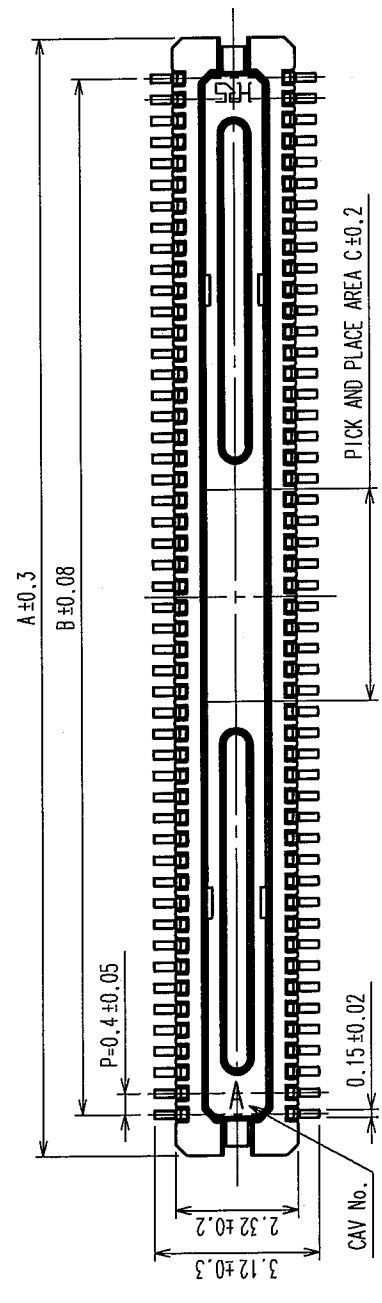
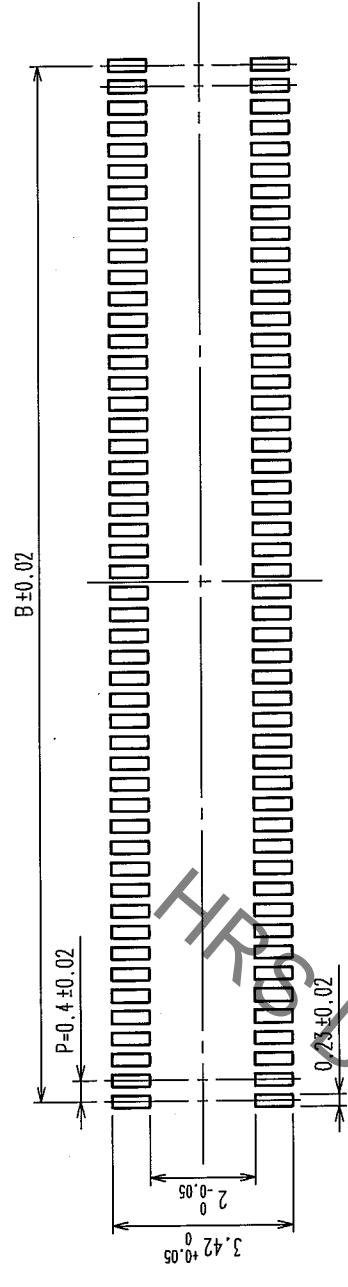


May.1.2023 Copyright 2023 HIROSE ELECTRIC CO., LTD. All Rights Reserved.
 In case of consideration for using Automotive equipment / device which demand high reliability, kindly contact our sales window correspondents.

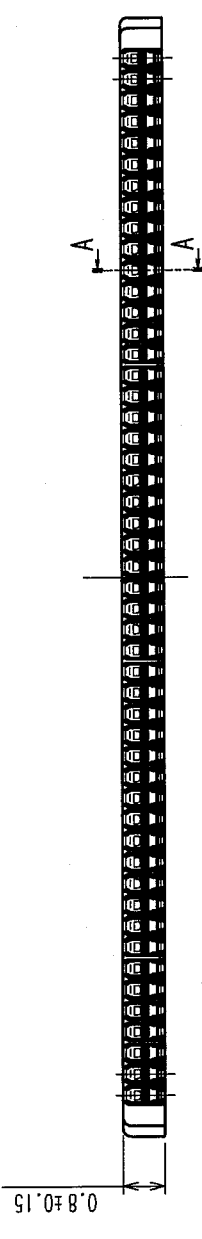
COUNT	DESCRIPTION OF REVISIONS	BY	CHKD	DATE	COUNT	DESCRIPTION OF REVISIONS	BY	CHKD	DATE
△					△				
△					△				
△					△				



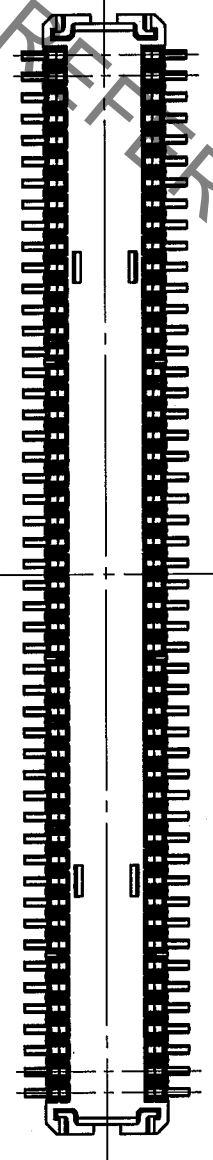
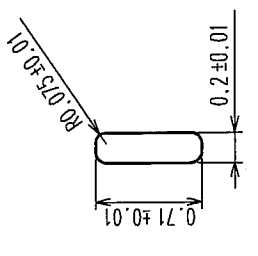
RECOMMENDED PATTERN



RECOMMENDED SOLDER PASTE: THICKNESS 120µm

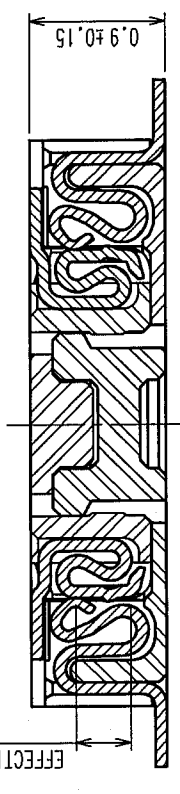


RECOMMENDED METAL MASK OPENING DIMENSIONS FOR LEAD PAD (20:1)



A-A (20:1)

ENGAGEMENT FIGURE (20:1)



NOTE 1. ALL LEADS CO-PLANARITY SHALL BE 0.1 MAX.

- 2. PER REEL : 1000 CONNECTORS.
- 3. AT THE BEGINNING OF THE REEL, 100 MM AT MIN SHALL BE EMPTY POCKETS.
AT THE END OF THE REEL, 160 MM AT MIN SHALL BE EMPTY POCKETS.
- 4. NO CAVITY ON THE CONNECTORS LESS THAN 24 POS.
- 5. CONTACT PLATING SPECIFICATIONS.
CONTACT AREA : GOLD 0.05µm MIN.
SMT LEAD : GOLD 0.02µm MIN.
UNDERPLATING : NICKEL 1µm MIN.
(SURFACE : SEALING)

PART NO.	CODE NO.	A	B	C
DF30FC-80DP-0.4V(82)	CL684-1144-9-82	17.14	15.6	3.2
DF30FC-70DP-0.4V(82)	CL684-1077-3-82	15.14	13.6	2.8
DF30FC-60DP-0.4V(82)	CL684-1083-6-82	13.14	11.6	2.4
DF30FC-50DP-0.4V(82)	CL684-1143-6-82	11.14	9.6	2
DF30FC-40DP-0.4V(82)	CL684-1079-9-82	9.14	7.6	1.6
DF30FC-34DP-0.4V(82)	CL684-1142-3-82	7.94	6.4	1.36
DF30FC-30DP-0.4V(82)	CL684-1141-0-82	7.14	5.6	1.2
DF30FC-24DP-0.4V(82)	CL684-1140-8-82	5.94	4.4	1.2
DF30FC-22DP-0.4V(82)	CL684-1139-9-82	5.54	4.0	1.2
DF30FC-20DP-0.4V(82)	CL684-1138-6-82	5.14	3.6	1.2

NO.	PHOSPHOR BRONZE	5	4	POLYESTER	4	3	POLYESTER	3	CLEAR(COVER TAPE)
2	LCP	UL94V-0, BLACK	3	PS	3	CLEAR(EMBOSSED CARRIER TAPE)			
NO.	MATERIAL	FINISH, REMARKS	NO.	MATERIAL	NO.	MATERIAL	FINISH, REMARKS	APPROVED	RELEASED
CODE NO. (OLD)			DESIGNED		CHECKED				
			T.NISHI		K. Mitsuhashi		J. Oka		
			040825		04.08.25		04.08.25		
DRAWING NO.	EDC3-303555-05	PART NO.	DF30FC-*DP-0.4V(82)						
SCALE	FREE	CODE NO.	CL684-***-**-82						
UNITS	MM								

HRS HIROSE ELECTRIC CO., LTD.

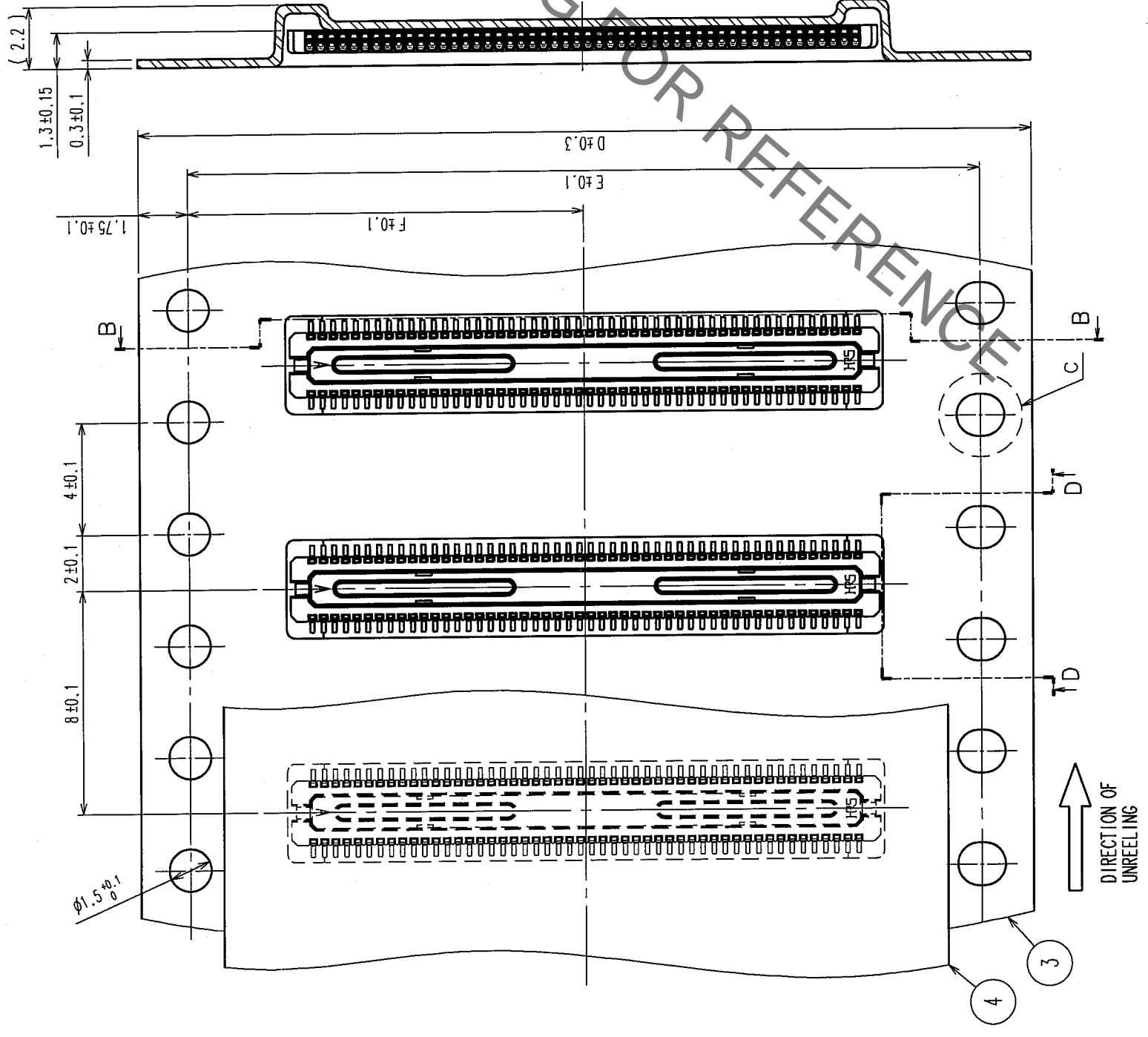
FORM NO. 229

TO	
----	--

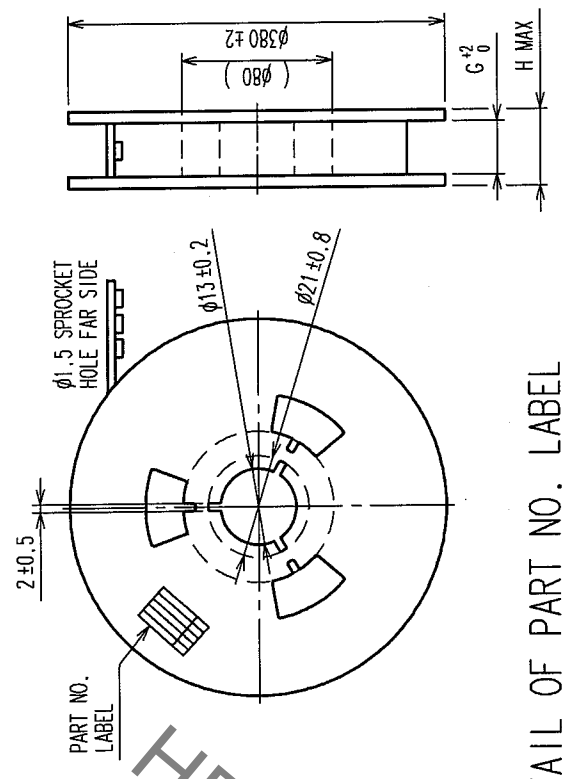
May.1.2023 Copyright 2023 HIROSE ELECTRIC CO., LTD. All Rights Reserved.
 In case of consideration for using Automotive equipment / device which demand high reliability, kindly contact our sales window correspondents.

COUNT	DESCRIPTION OF REVISIONS	BY	CHKD	DATE	COUNT	DESCRIPTION OF REVISIONS	BY	CHKD	DATE

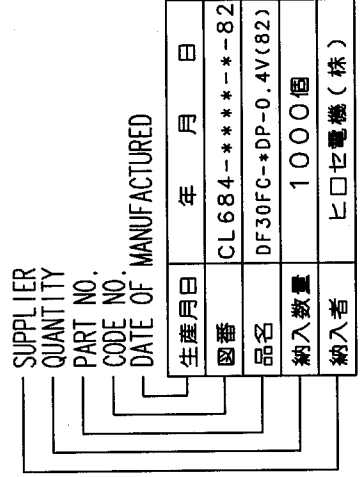
B-B



STYLE AND DIMENSION OF REEL (FREE)



DETAIL OF PART NO. LABEL



PART NO.	CODE NO.	D	E	F	G	H
DF30FC-80DP-0.4V(82)	CL684-1144-9-82	24	-	11.5	24.4	30.4
DF30FC-70DP-0.4V(82)	CL684-1077-3-82	24	-	11.5	24.4	30.4
DF30FC-60DP-0.4V(82)	CL684-1083-6-82	24	-	11.5	24.4	30.4
DF30FC-50DP-0.4V(82)	CL684-1143-6-82	24	-	11.5	24.4	30.4
DF30FC-40DP-0.4V(82)	CL684-1079-9-82	16	-	7.5	16.4	22.4
DF30FC-34DP-0.4V(82)	CL684-1142-3-82	16	-	7.5	16.4	22.4
DF30FC-30DP-0.4V(82)	CL684-1141-0-82	16	-	7.5	16.4	22.4
DF30FC-24DP-0.4V(82)	CL684-1140-8-82	16	-	7.5	16.4	22.4
DF30FC-22DP-0.4V(82)	CL684-1139-9-82	16	-	7.5	16.4	22.4
DF30FC-20DP-0.4V(82)	CL684-1138-6-82	16	-	7.5	16.4	22.4

CODE NO. (OLD)

DRAWN: T.NISHI
 040825

DESIGNED: K. MICHIMIZU
 04.08.25

CHECKED: K. SHIMADA
 04.08.25

APPROVED: J. OGA
 04.08.25

RELEASED

DRAWING NO.: EDC3-303555-05
 PART NO.: DF30FC-80DP-0.4V(82)

SCALE: 5 : 1
 UNITS: mm

HRS HIROSE ELECTRIC CO., LTD

CL684-1144-9-82

TO			
----	--	--	--