

THIS DRAWING IS UNPUBLISHED.

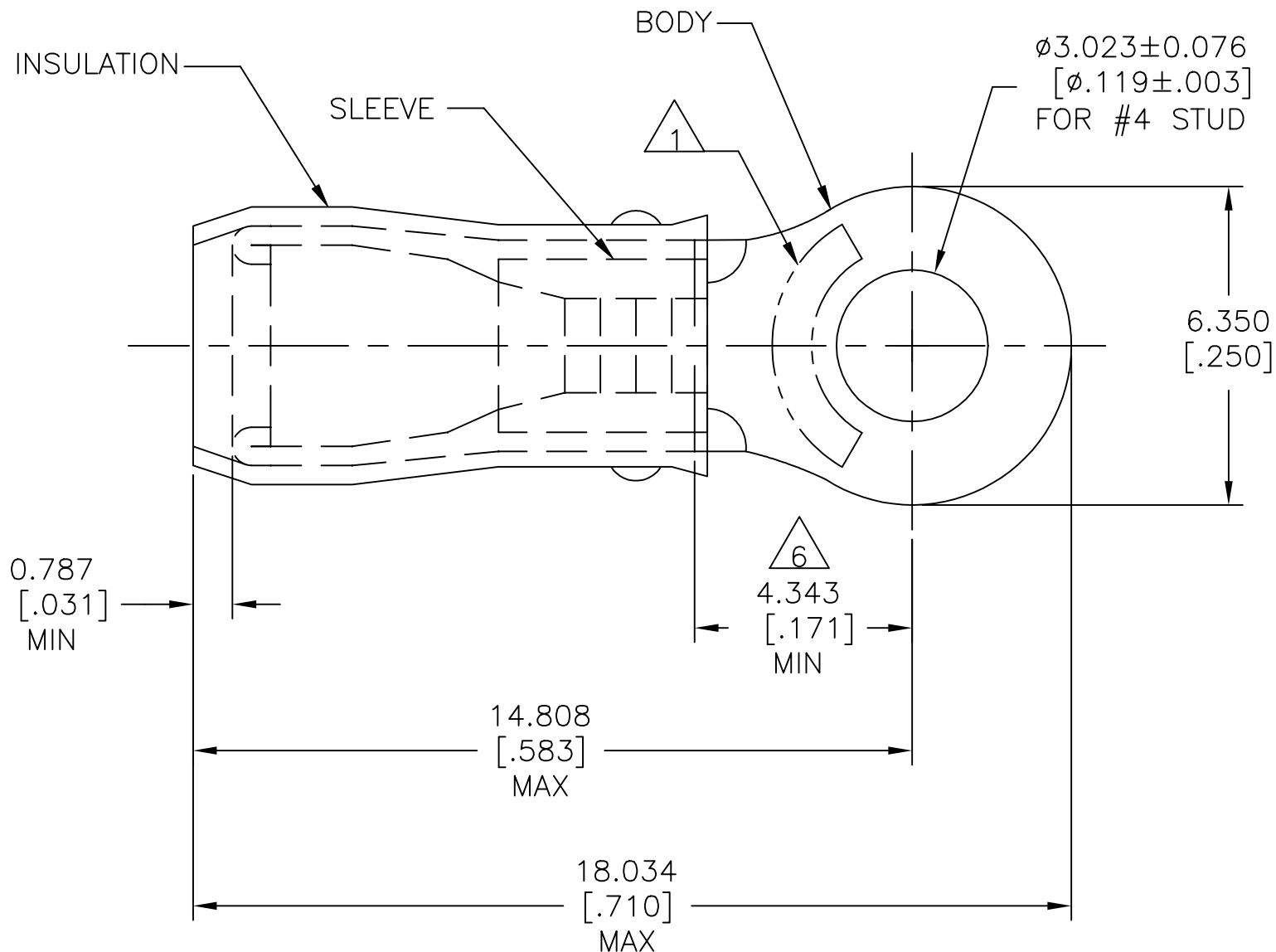
RELEASED FOR PUBLICATION

ALL RIGHTS RESERVED.

© COPYRIGHT - TE Connectivity Ltd.

REVISIONS

P	LTR	DESCRIPTION	DATE	DWN	APVD
	F	REV PER ECR 09-025674	01DEC09	JR	TM
	G	REVISED PER ECO-17-013200	07MAY2018	RS	DR



- 1 STAMP AMP 14-12 APPROX AS SHOWN
- 2 WIRE INSULATION DIA:  
 $\phi 2.032 - \phi 3.175$  [ $\phi 0.080 - \phi 0.125$ ]
- 3 BODY MATERIAL THK:  $0.762 \pm 0.051$  [ $0.030 \pm 0.002$ ]
- 4 BODY & SLEEVE - TIN PLATE PER ASTM B545  
INSULATION: COLOR - WHITE
- 5 BODY & SLEEVE - CU PER ASTM B152  
INSULATION: NYLON
- 6 APPLIES FROM EDGE OF METAL WIRE BARREL  
TO CENTER OF STUD HOLE

500	LOOSE PIECE	152876
QTY	PACKAGE TYPE	PART NO

AMP INCORPORATED CUSTOMER SERVICE SYSTEMS	
FOR ADDITIONAL PRODUCT INFORMATION OR COPIES OF DRAWINGS AND TECHNICAL DOCUMENTS	PRODUCT INFORMATION CENTER 1-800-522-6752
FOR APPLICATION TOOLING INFORMATION	TOOLING ASSISTANCE CENTER 1-800-722-1111
FOR ORDER ENTRY	1-800-526-5142

MAX RECOMMENDED OPERATING TEMPERATURE: 105°C[221°F] MAX
VOLTAGE RATING: 300 V
CIRCULAR MIL AREA: 1.65-3.45mm <sup>2</sup> [3,260-6,800] SOLID OR STRANDED

THIS DRAWING IS A CONTROLLED DOCUMENT.	
DIMENSIONS: mm [INCHES]	TOLERANCES UNLESS OTHERWISE SPECIFIED:
	0 PLC ± -
	1 PLC ± -
	2 PLC ± -
	3 PLC ± 0.127[.005]
	4 PLC ± -
	ANGLES ± -
MATERIAL	FINISH
5	4

DWN JR RUTH	19FEB07
CHK T MICHIELUTTI	19FEB07
APVD T MICHIELUTTI	19FEB07
PRODUCT SPEC	-
APPLICATION SPEC	114-2157
WEIGHT	
CUSTOMER DRAWING	

<b>STE</b> TE Connectivity Ltd.			
NAME TERMINAL, RING TONGUE, NYLON , P.I.D.G. WIRE SIZE: 14-12 AWG			
SIZE	CAGE CODE	DRAWING NO	RESTRICTED TO
A3	00779	C-152876	-
SCALE 8:1		SHEET 1 OF 1	REV G