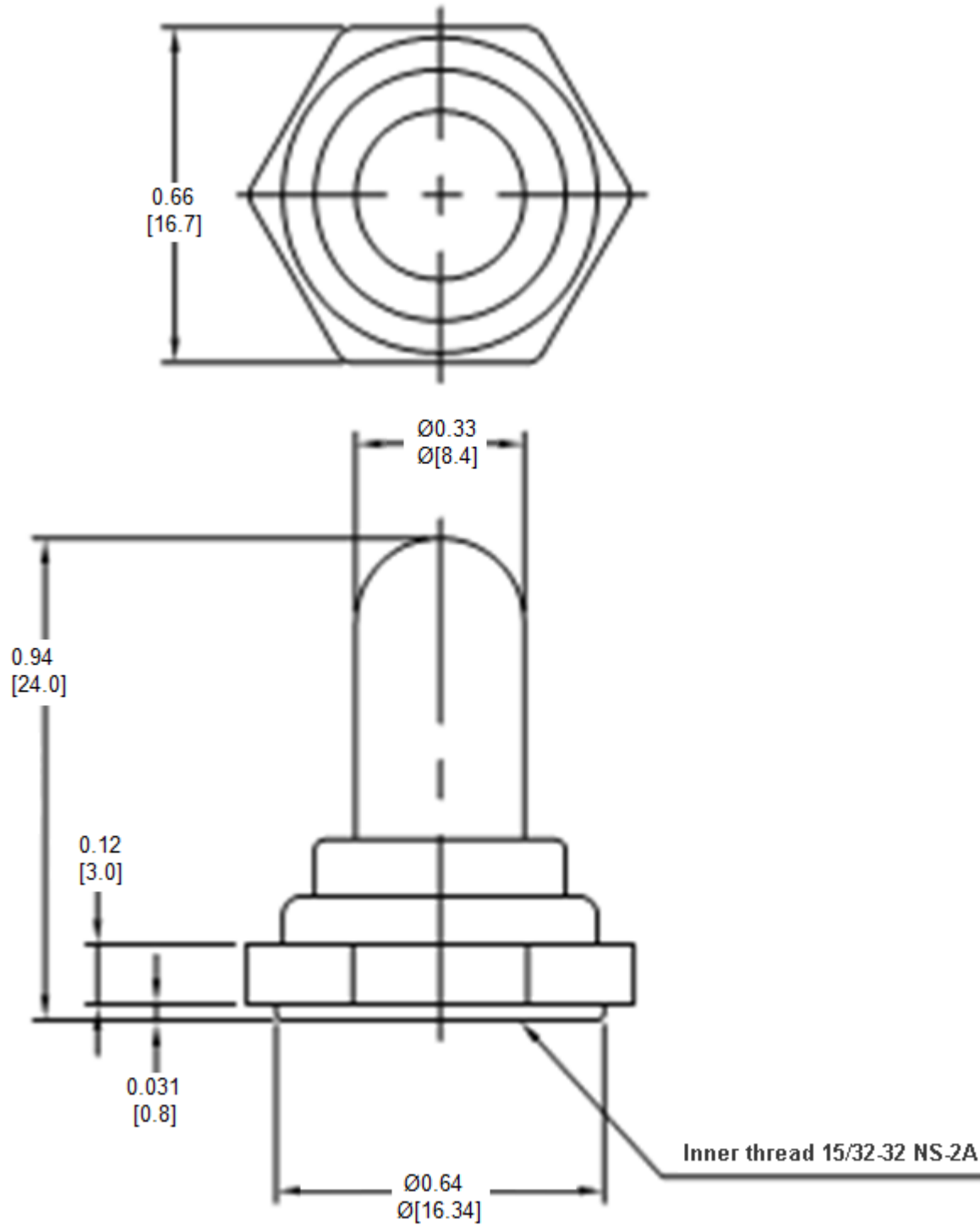


Mechanical Dimensions: Inches [mm]

Tolerances ± 0.012 [0.3] Unless Otherwise Specified



Specifications

Material	Rubber/Silicon
Nut	15/32-32 NS-2A
For Toggle Switch Lever Height	20mm

Rev	Date of issue	Revision Notes	Designed	Approved
A	10-09-19	Initial Drawing	RC	OF