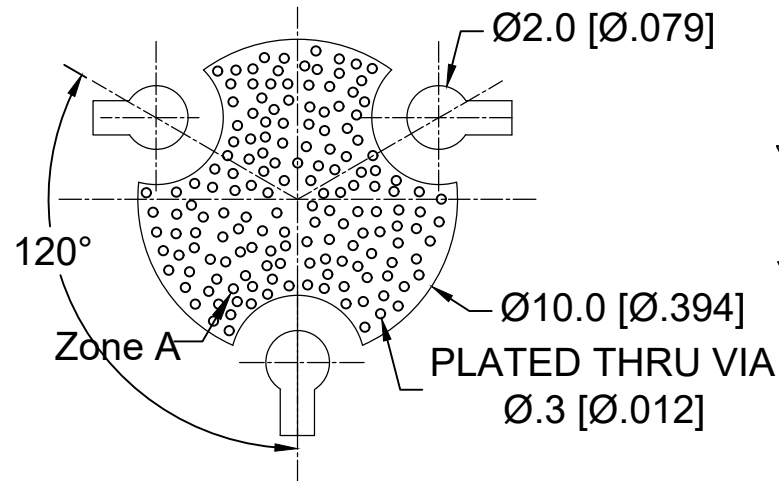
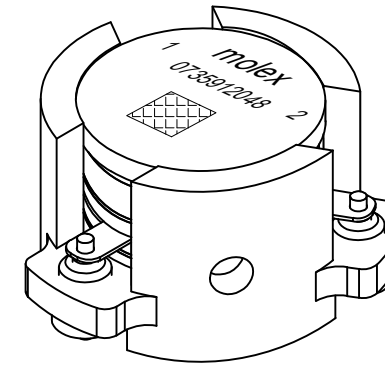
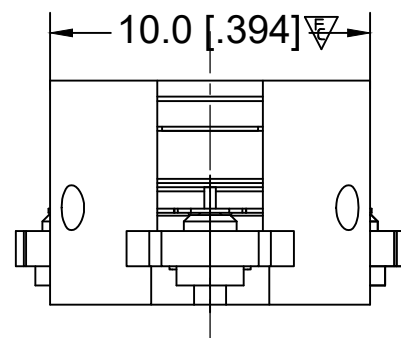
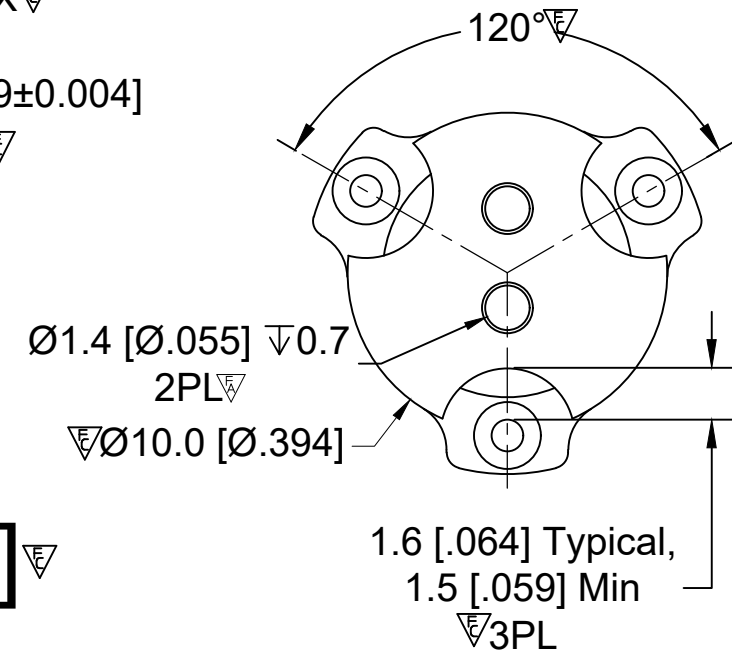
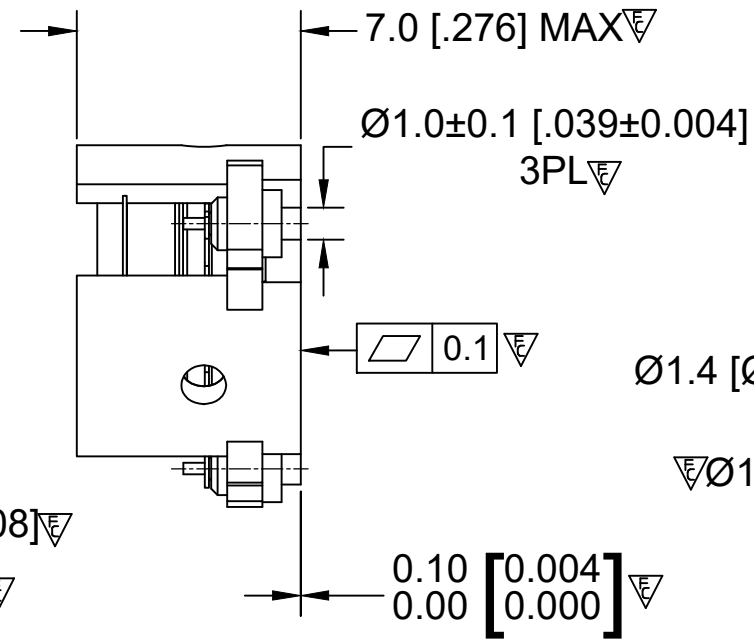
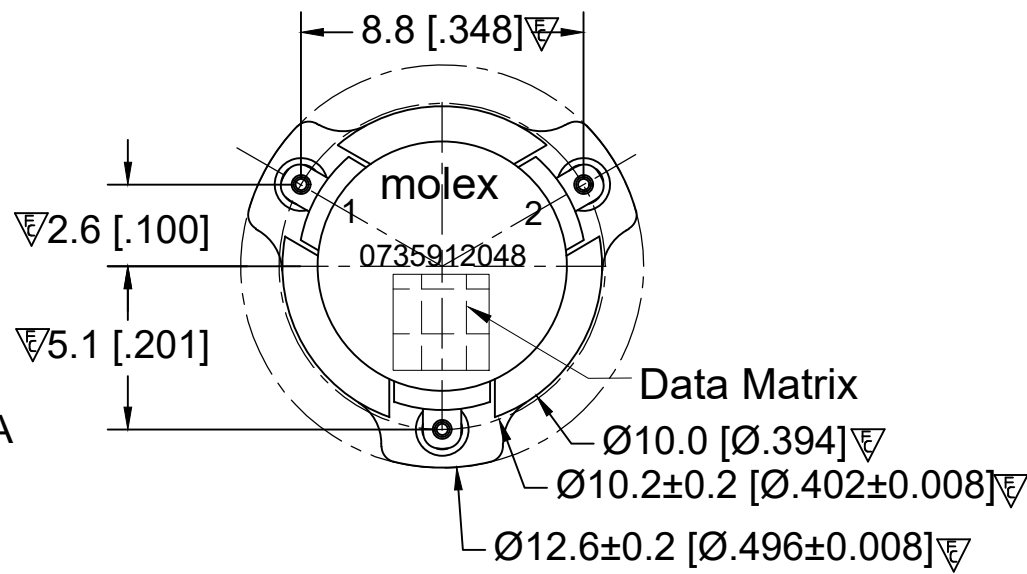


**RECOMMENDED LAND PATTERN :**

Zone A must be attached to heat sink. Thermal conductivity of intermediate layers between Zone A and heat sink must be better than 0.1 W / [°C x mm].



PCB Material :Rogers RO4350B,0.508mm thickness  
trace width 1.07mm wide.



BODY: CARBON STEEL, SILVER PLATED

RIGID PINS: COPPER, SILVER PLATED

NOTES:

- 1.STANDARD INPUT/OUTPUT IMPEDANCE 50 Ohm
- 2.LEAD FREE, NO Nd MATERIAL, BeO FREE
- 3.THE DIMENSION OF DATE MATRIX IS 3X3MM INFORMATION INCLUDING WORK ORDER NUMBER-SERIAL NUMBER-MATERIAL NUMBER
- 4.THIS PART COMPLIES WITH ALL RoHS REQUIREMENTS

**ELECTRICAL SPECIFICATIONS :**

Frequency Range	: 3300~3800 MHz
Insertion Loss	: 0.25 dB Max@25°C,0.3 dB Max
Isolation	: 20 dB Min
Return Loss	: 20 dB Min
Average Power	: 20 W (CW)
Peak Power	: 160 W
FMD IMD3(2 x10W,1 MHz space):	-65 dBc Max
2nd Harmonic(20W CW)	: 50dBc min
3rd Harmonic(20W CW)	: 60dBc min
Operating Temperature	: -40°C to +110°C
Storage Temperature	: -65°C to +155°C
Direction	: CW

**ENG PART#:802-330-380-VP040**

THIS DRAWING CONTAINS INFORMATION THAT IS PROPRIETARY TO MOLEX ELECTRONIC TECHNOLOGIES, LLC AND SHOULD NOT BE USED WITHOUT WRITTEN PERMISSION									
FUNCTIONAL SYMBOLS	DIMENSION UNITS	SCALE	CURRENT REV DESC:						
MM	1:1	RELEASE TO PROD							
GENERAL TOLERANCES (UNLESS SPECIFIED)	EC NO: 696580								
	mm	INCH	DRWN: SREN05 2022/02/21						
4 PLACES	±0.005	±----	CHK'D: JLI252 2022/02/23						
3 PLACES	±0.025	±----	APPR: HWANG186 2022/03/01						
2 PLACES	±0.13	±----	INITIAL REVISION:						
1 PLACE	±0.2	±----	DRWN: SREN05 2021/11/15						
0 PLACES	±0.4	±----	APPR: HWANG186 2022/03/01						
DIVISIONAL SYMBOLS	ANGULAR TOL ± 1.5 °		DOCUMENT NUMBER						
	DRAFT WHERE APPLICABLE MUST REMAIN WITHIN DIMENSIONS		THIRD ANGLE PROJECTION		DRAWING	SERIES	MATERIAL NUMBER	CUSTOMER	SHEET NUMBER
			A3-SIZE		73591	0735912048	CUSTOM PART	1 OF 1	

**molex**

SMSJ CIRCULATOR/3300-3800MHZ/CW

RESTRICTED PRODUCT CUSTOMER DRAWING

DOCUMENT NUMBER

735912048 PSD 000 A