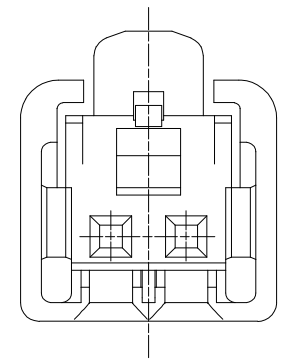
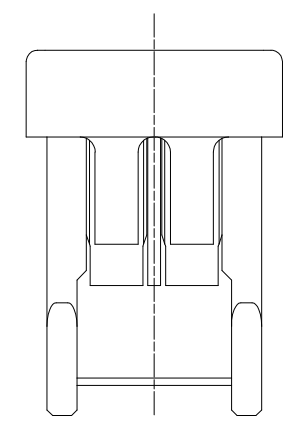
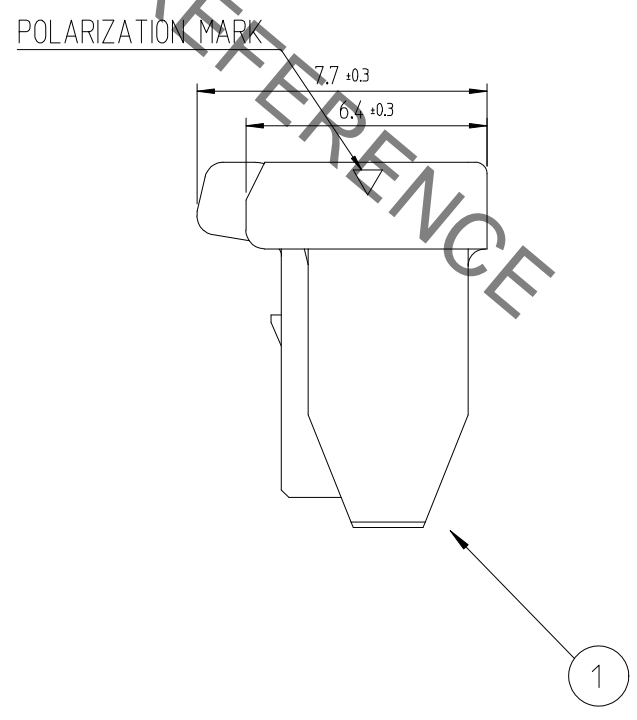
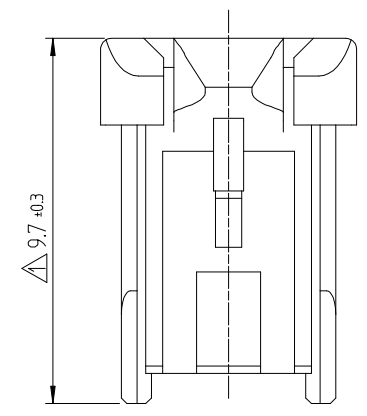
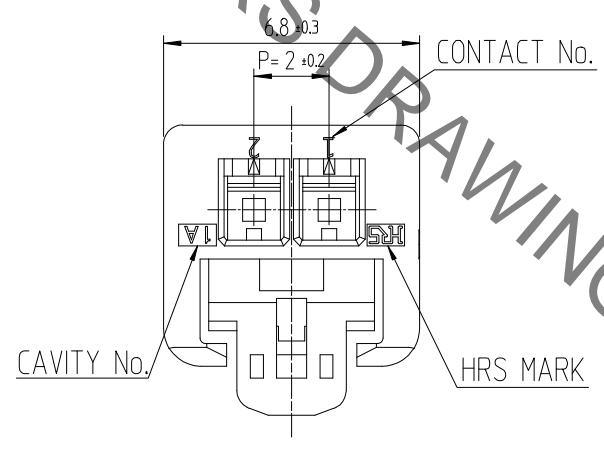


In case of consideration for using Automotive equipment / device which demand high reliability, kindly contact our sales window

△數		訂正事項	擔當	檢圖	年月日	△數		訂正事項	擔當	檢圖	年月日
COUNT		DESCRIPTION OF REVISIONS	B Y	CHKD	DATE	COUNT		DESCRIPTION OF REVISIONS	B Y	CHKD	DATE
△1	1	RE-6-1150	K.I.Y	L.S.M	18. 07. 04	△					
△2	1	RE-6-1579	K.I.Y	L.S.M	20. 01. 23	△					
△						△					



NOTE 1. 1PACK CONTAINS 100PCS.

△2. UL(File No. E132750) AUTHORIZATION ARTICLE.  
C-UL(File No. E132750) AUTHORIZATION ARTICLE.



NO.	MATERIAL	FINISH,REMARKS	1	PBT	UL94V-0, BLACK
NO.	MATERIAL	FINISH,REMARKS	NO.	MATERIAL	FINISH,REMARKS
CODE NO. (OLD)			DRAWN	DESIGNED	CHECKED
			CHOI	CHOI	LIM
			17.12.22	17.12.22	17.12.22
			J.S	J.S	S.M
			APPROVED	RELEASED	
			KANG	ENG	
			17.12.22	20.02.12	
			T.S	DEPT	
DRAWING NO. EDC3-632508			PART NO. DF51K-2S-2C (800)		
SCALE 5:1			CODE NO. CL 6652-0020-6 -800		
UNITS mm			HRS HIROSE KOREA CO.,LTD.		
			1/1		