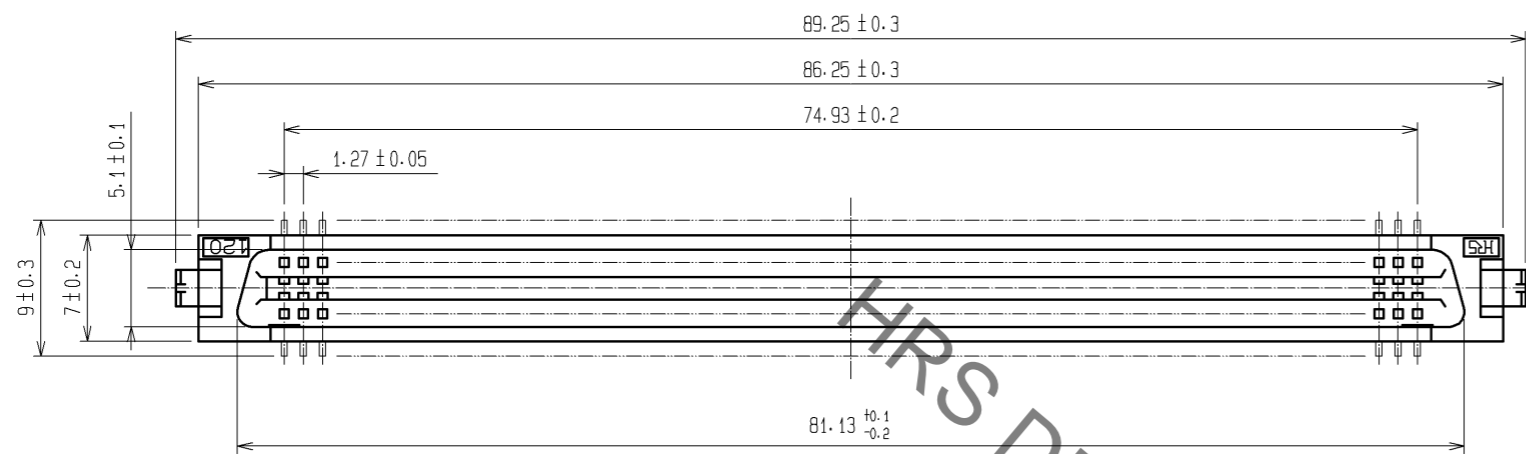
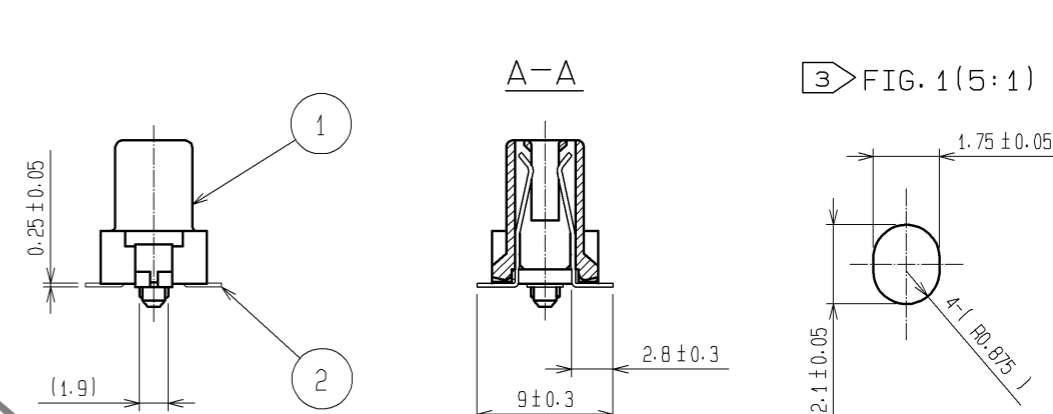
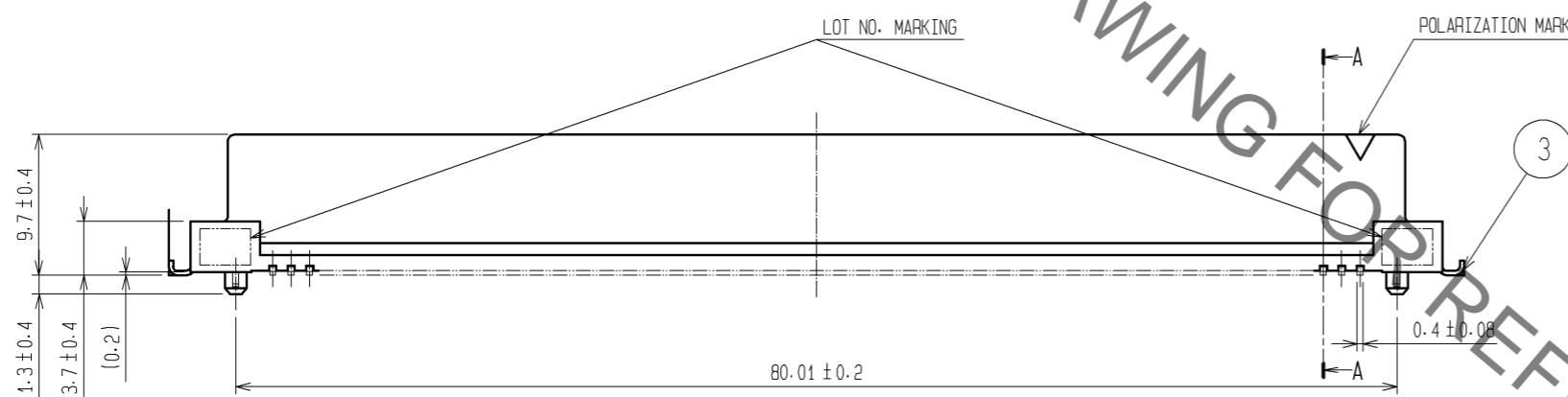
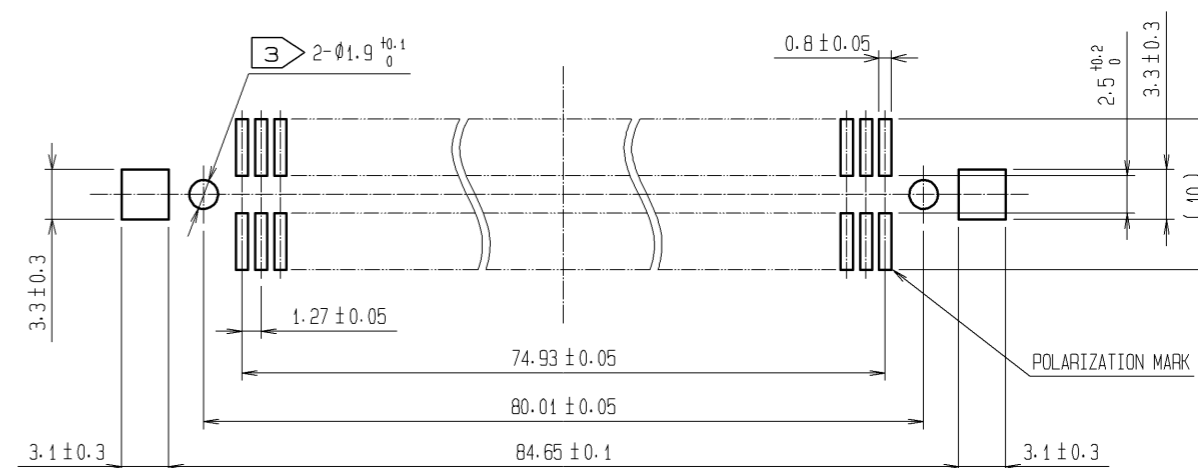


May.1.2023 Copyright 2023 HIROSE ELECTRIC CO., LTD. All Rights Reserved.
In case of consideration for using Automotive equipment / device which demand high reliability, kindly contact our sales window correspondents.



RECOMMENDED LAND PATTERN DIMENSION OF PCB (MOUNTING SIDE)



- NOTES
- 1 LEAD CO-PLANARITY SHALL BE 0.15 MAX.
 - 2 THE DIMENSIONS IN PARENTHESES ARE FOR REFERENCE.
 - 3 IN CASE OF THE AUTOMATED MOUNTING, RECOMMENDED HOLE DIAMETER OF BOSS IS SHOWN IN FIG. 1.

1	PPS	LIGHT BROWN (UL94V-0)	3	BRASS	TIN-PLATING		
			2	PHOSPHOR BRONZE	CONTACT AREA:GOLD 0.2µm min.		
					LEAD AREA:TIN-PLATING 2µm min.		
					UNDER PLATING:NICKEL 1.5µm min.		
NO.	MATERIAL	FINISH . REMARKS	NO.	MATERIAL	FINISH . REMARKS		
UNITS		SCALE	COUNT	DESCRIPTION OF REVISIONS	DESIGNED	CHECKED	DATE
mm		2 : 1					
HRS HIROSE ELECTRIC CO., LTD.		APPROVED : HS. OKAWA	07. 10. 19	DRAWING NO. EDC3-082427-21			
		CHECED : HS. OZAWA	07. 10. 19	PART NO. FX2-120S-1. 27SVL (71)			
		DESIGNED : SY. KAMIGA	07. 10. 19	CODE NO. CL572-2159-3-71			
		DRAWN : HK. SUNADORI	07. 10. 19				