

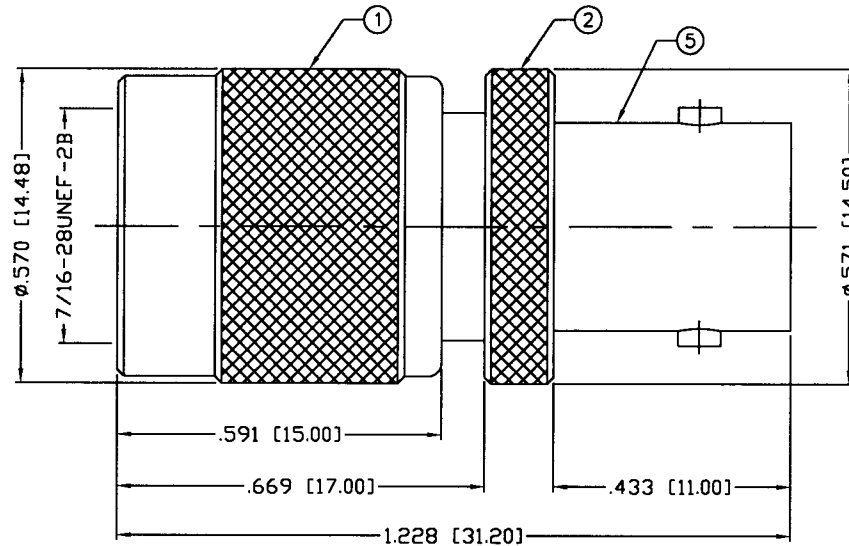
THIS DRAWING CONTAINS INFORMATION PROPRIETARY TO RF INDUSTRIES.  
 ANY UNAUTHORIZED USE OF THIS DRAWING IS EXPRESSLY PROHIBITED  
 WITHOUT WRITTEN PERMISSION FROM RF INDUSTRIES.  
 ANY VIOLATION IS PUNISHABLE UNDER U.S. COPYRIGHT LAWS.

ALL DIMENSIONS ARE REFERENCE ONLY

PART NO.

**RFT-1231**

REV	DESCRIPTION	DWN	DATE	APPROVED
A	ENGINEERING RELEASE	CJ	5/12/92	J. BENZ
B	ADD PIN & DIE CALL OUTS / STANDARDIZE	KMM	1/14/94	R. RICE
C	CHG CONT DIM & DIE MATERIAL / ADD BODY DIM & GROOVE	CZS	9/29/98	R. RICE
D	SEE MANUFACTURING DRAWINGS FOR CHANGES	CZS	11/5/03	JDMc



**SPECIFICATIONS:**

IMPEDANCE: 50 Ohms  
 FREQUENCY RANGE: 0-4 GHz  
 WORKING VOLTAGE: 500 V rms @ sea level  
 TEMPERATURE RANGE: -65°C TO 85°C  
 INSULATION RESISTANCE: 5k M Ohms min.  
 RF HIPOT: 1K V. RMS @ 5 MHz  
 VSWR: <1.05:1 TO 4 GHz  
 INSERTION LOSS: -0.03 @ 4 GHz  
 DIELECTRIC WORKING VOLTAGE: 1500 VRMS

#	DESCRIPTION	QTY	MATERIAL	FINISH
1	SHELL	1	BRASS	NICKEL, 100μ"
2	BODY	1	BRASS	NICKEL, 100μ"
3	INSULATOR	1	PTFE	----
4	CONTACT	1	PHOS BRONZE	GOLD, 3μ"
5	PRESS BODY	1	BRASS	NICKEL, 100μ"
6	GASKET	1	SILICONE	----
7	RETAINING RING	1	BRASS	NICKEL, 100μ"
8	RING	1	DELRING	----
9	WASHER	1	BRASS	NICKEL, 100μ"
10				
11				
12				
13				
14				

008974	
DRAWN C. ZUNIGA	11/5/03
CHECKED JDMc	11-5-03
ORJ DRAWN C. JONES	5/12/92

UNLESS OTHERWISE SPECIFIED:  
  
 DIMENSIONS ARE IN INCHES  
 AND [MILLIMETERS]  
 UNLESS OTHERWISE NOTED  
 TOLERANCES ARE:  
 DECIMALS      DIAMETER

7610 MIRAMAR RD  
 SAN DIEGO, CA 92126  
 (858) 549-6340  
 (858) 549-6345 FAX

**RFconnectors**  
 DIVISION OF RF INDUSTRIES, LTD.

**TNC PLUG TO  
 BNC JACK ADAPTER**

SIZE A	CABLE GROUP N/A	DWG NO. RFT-1231	REV D
SCALE: NTS		CAD FILE OUTLINE	SHEET 1 OF 1