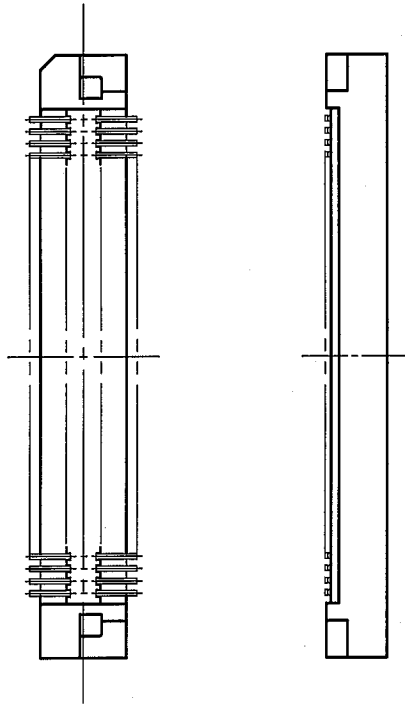
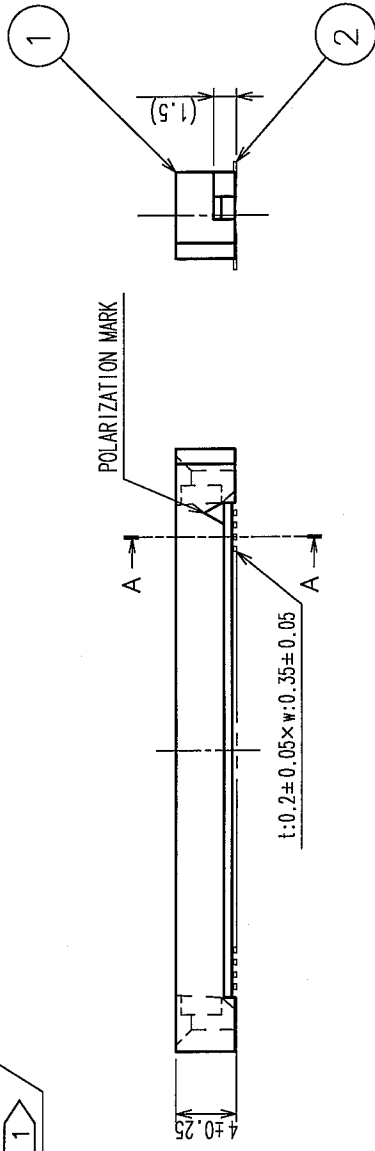
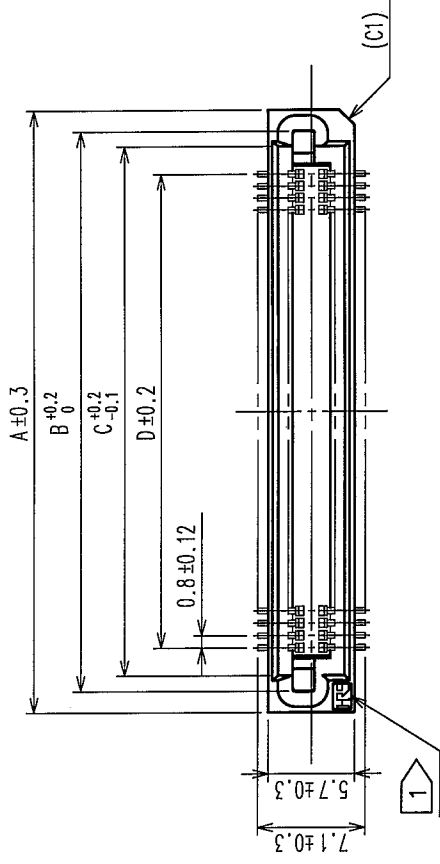
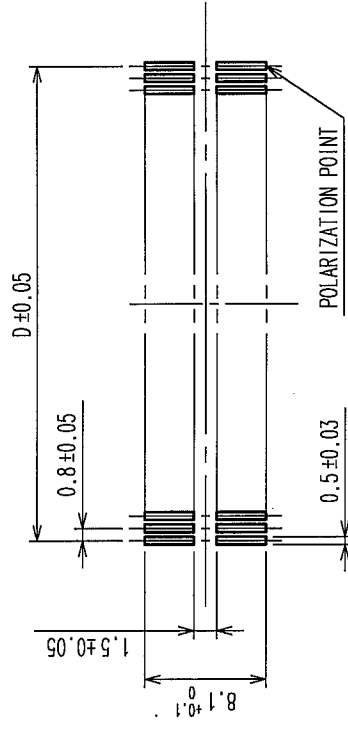


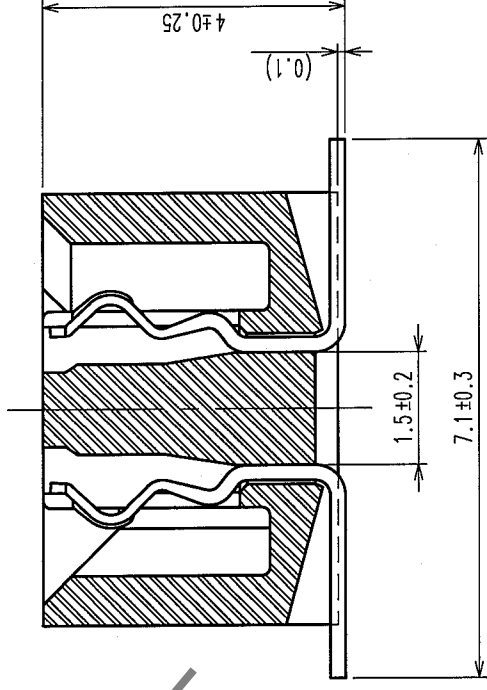
| COUNT | DESCRIPTION OF REVISIONS | BY | CHKD | DATE | COUNT | DESCRIPTION OF REVISIONS | BY | CHKD | DATE |
|-------|--------------------------|----|------|------|-------|--------------------------|----|------|------|
| △ | | | | | △ | | | | |
| △ | | | | | △ | | | | |
| △ | | | | | △ | | | | |



RECOMMENDED P.C.B. LAND PATTERN (MOUNT SIDE)



A-A (10:1)



DIMENSION TABLE OF CONNECTOR AND P.C.B. LAND PATTERN

| PART No. | CODE No. | 6 | A | B | C | D |
|--------------------|-----------------|----|------|-------|------|------|
| FX6A-20S-0.8SV(93) | CL576-0301-7-93 | 20 | 15.8 | 12.95 | 10.9 | 7.2 |
| FX6A-40S-0.8SV(93) | CL576-0303-2-93 | 40 | 23.8 | 20.95 | 18.9 | 15.2 |
| FX6A-50S-0.8SV(93) | CL576-0304-5-93 | 50 | 27.8 | 24.95 | 22.9 | 19.2 |
| FX6A-60S-0.8SV(93) | CL576-0305-8-93 | 60 | 31.8 | 28.95 | 26.9 | 23.2 |
| FX6A-80S-0.8SV(93) | CL576-0307-3-93 | 80 | 39.8 | 36.95 | 34.9 | 31.2 |

NOTE

- 1 HRS MARK SHALL BE OPTIONAL.
- 2 LEAD CO-PLANARITY SHALL BE 0.1 MAX.
- 3 EMBOSSED CARRIER TAPE PACKAGING SHALL BE APPLIED FOR THIS PRODUCT.
- 4 THIS PRODUCT HAS TAPE FOR VACUUM PICKUP. SEE NEXT PAGE FOR DETAIL OF STICKING POSITION, ETC.
- 5 FOR MODIFICATION, ETC, PREVENTIVE HOLE FOR SINK MARK MAY BE ADDED ACCORDING TO CIRCUMSTANCES.
- 6 NUMBER OF CONTACTS.
- 7 THE DIMENSIONS IN PARENTHESES ARE FOR REFERENCE.

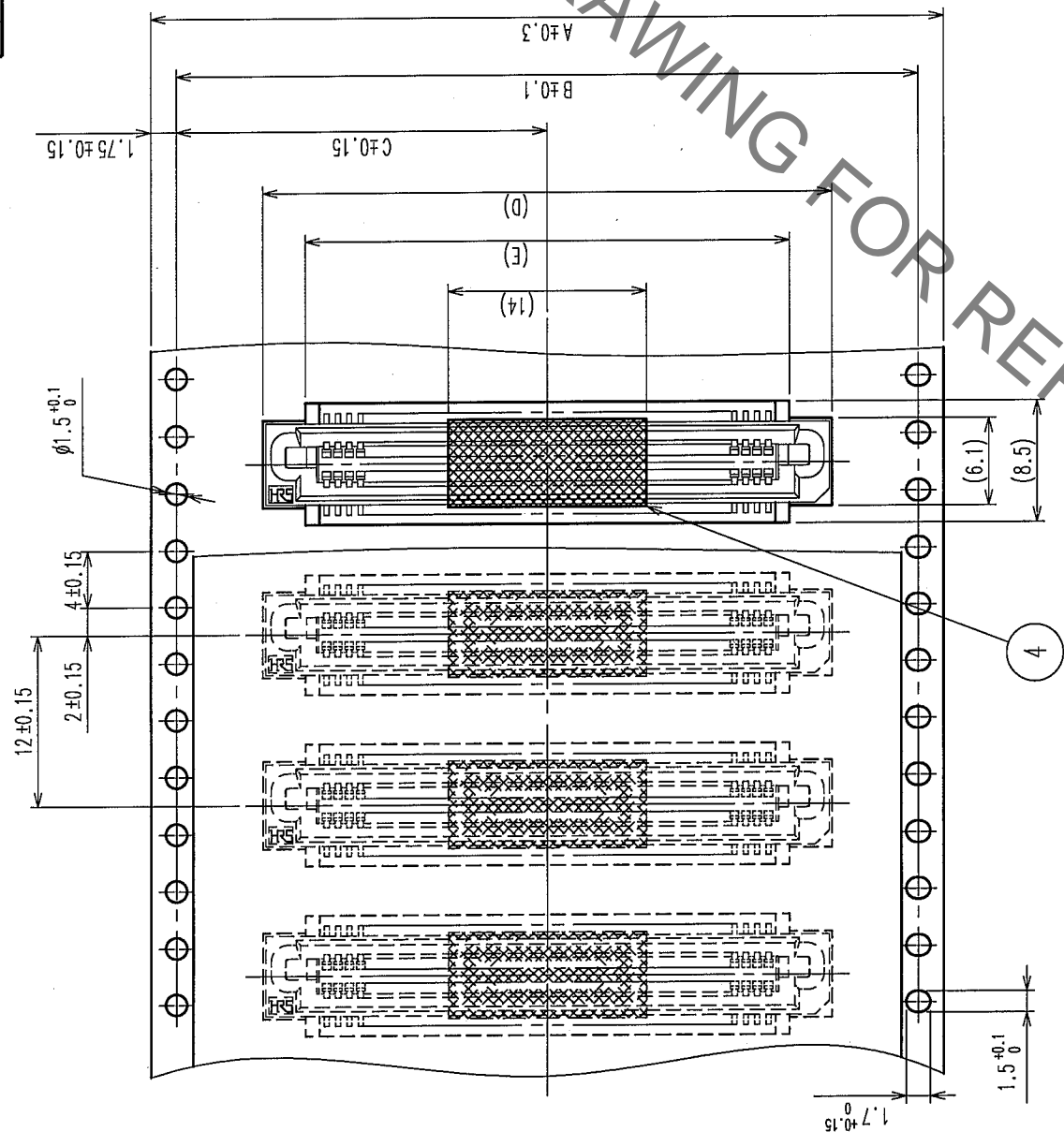
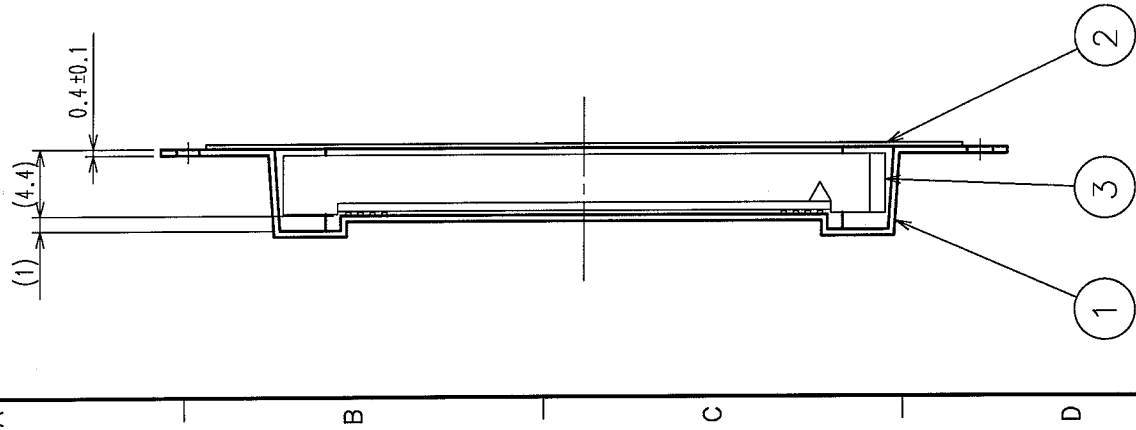
HRS DRAWING FOR REFERENCE

| | |
|-----|--|
| TO | |
| PCK | |

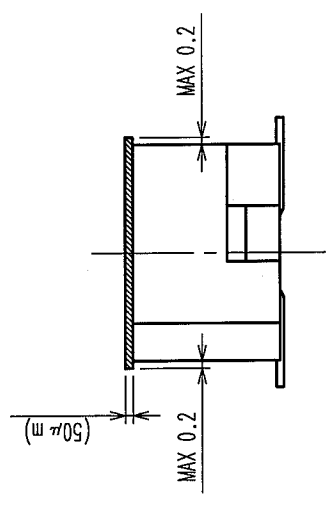
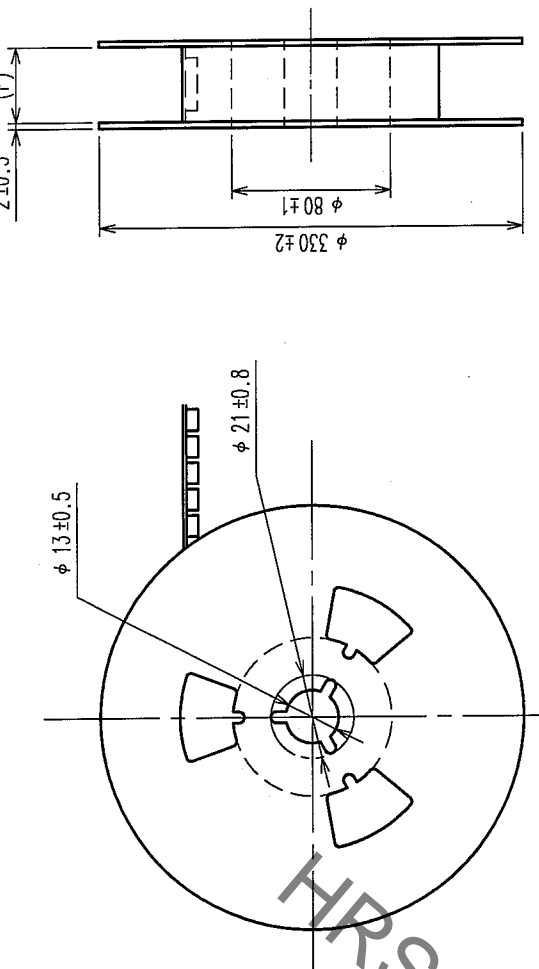
| | | | | | |
|-------------------------------|-----------------------|------------------------------|--------------------------------------|-----------------|--|
| 1 | POLYPHENYLENE SULFIDE | LIGHT BROWN (UL94V-0) | 2 | PHOSPHOR BRONZE | CONTACT AREA: GOLD 0.1μm min. LEAD AREA: TIN-PLATING 1μm min. UNDER PLATING: NICKLE 2μm min. |
| NO. | MATERIAL | FINISH, REMARKS | NO. | MATERIAL | FINISH, REMARKS |
| CODE NO. (OLD) | | | DESIGNED | CHECKED | APPROVED |
| | | | T. YANAGISAWA T. Noda H. Okawa | | |
| | | | '05.08.04 '05.08.05 '05.08.05 | | |
| DRAWING NO. EDC3-152949-23 | | PART NO. FX6A-S-0.8SV(93) | | RELEASED | |
| SCALE FREE | | | | | |
| UNITS mm | | | | | |
| HIROSE ELECTRIC CO., LTD | | CODE NO. CL576 | | FORM NO. 229 | |

| COUNT | DESCRIPTION OF REVISIONS | BY | CHKD | DATE | COUNT | DESCRIPTION OF REVISIONS | BY | CHKD | DATE |
|-------|--------------------------|----|------|------|-------|--------------------------|----|------|------|
| △ | | | | | | | | | |
| △ | | | | | | | | | |
| △ | | | | | | | | | |

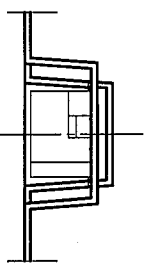
DIRECTION OF UNREELING



STYLE AND DIMENSIONS OF REEL (FREE)

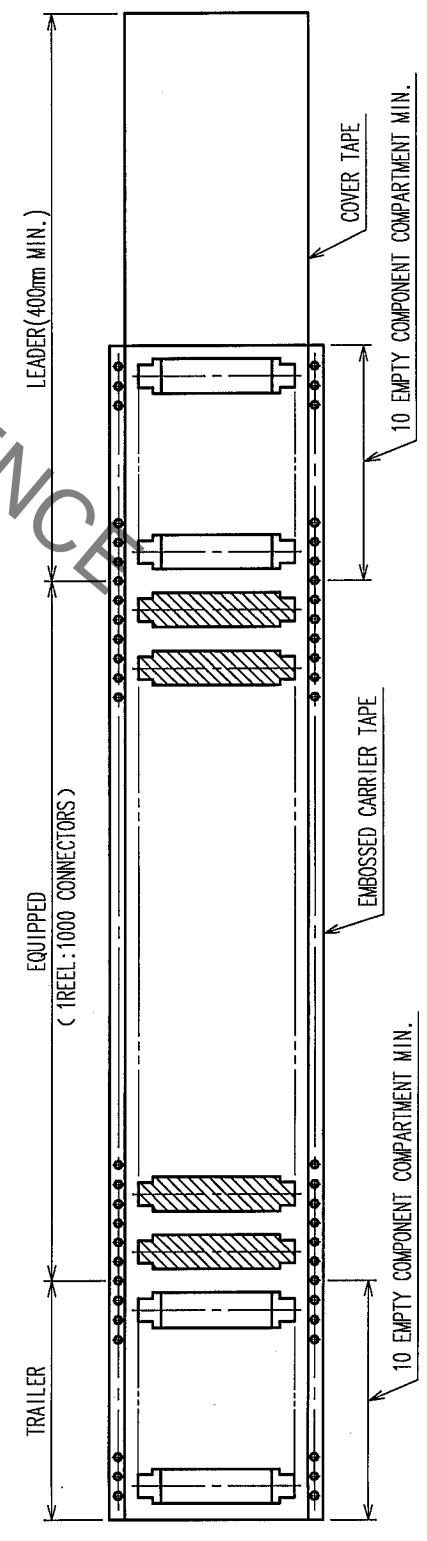


DETAIL OF TAPE FOR VACUUM PICK-UP(5:1)



DIMENSION TABLE OF EMBOSSED CARRIER TAPE AND REEL.

| PART No. | CODE No. | A | B | C | D | E | F |
|--------------------|-----------------|------|------|------|------|------|------|
| FX6A-20S-0.8SV(93) | CL576-0301-7-93 | 24.0 | — | 11.5 | 16.2 | 10.2 | 24.4 |
| FX6A-40S-0.8SV(93) | CL576-0303-2-93 | 44.0 | 40.4 | 20.2 | 24.2 | 18.2 | 44.4 |
| FX6A-50S-0.8SV(93) | CL576-0304-5-93 | 44.0 | 40.4 | 20.2 | 28.2 | 20.2 | 44.4 |
| FX6A-60S-0.8SV(93) | CL576-0305-8-93 | 44.0 | 40.4 | 20.2 | 32.2 | 26.2 | 44.4 |
| FX6A-80S-0.8SV(93) | CL576-0307-3-93 | 56.0 | 52.4 | 26.2 | 40.2 | 34.2 | 58.0 |



NOTE 1 THE DIMENSIONS IN PARENTHESES ARE FOR REFERENCE.
 2 REEL : 1000 CONNECTORS.
 3 NUMBER OF CONTACTS.

| NO. | MATERIAL | FINISH, REMARKS | NO. | MATERIAL | FINISH, REMARKS |
|-----|-------------|-----------------------|-----|-----------|-------------------------|
| 2 | POLYESTER | COVER TAPE | 4 | POLYIMIDE | TAPE FOR VACUUM PICK-UP |
| 1 | POLYSTYRENE | EMBOSSED CARRIER TAPE | 3 | | (CONNECTOR) |

| CODE NO. (OLD) | DESIGNED | CHECKED | APPROVED | RELEASED |
|----------------|---------------|-----------|-----------|----------|
| | T. YANAGISAWA | J. Ogawa | H. Okawa | |
| | '05.08.04 | '05.08.05 | '05.08.05 | |

| DRAWING NO. | PART NO. |
|----------------|-------------------|
| EDC3-152949-23 | FX6A-*S-O.8SV(93) |

| SCALE | UNITS | CODE NO. |
|-------|-------|----------|
| FREE | MM | CL576 |

| | |
|-----|--|
| TO | |
| PCK | |