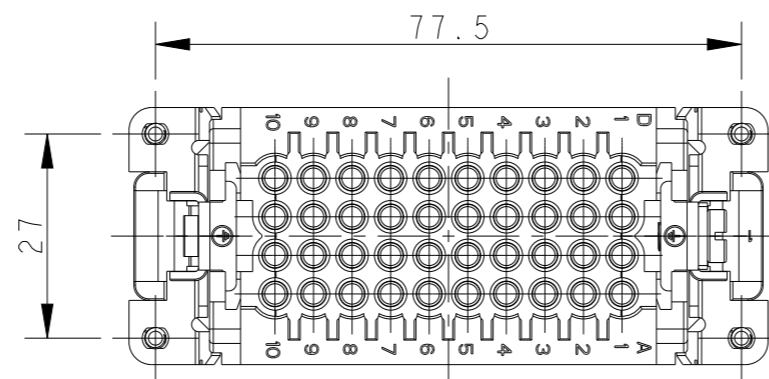
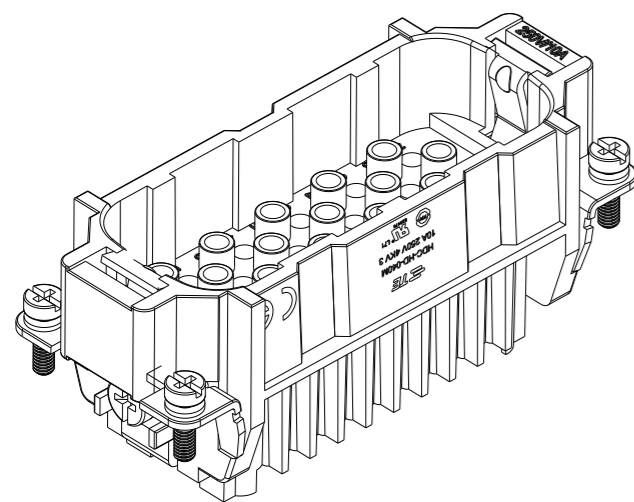


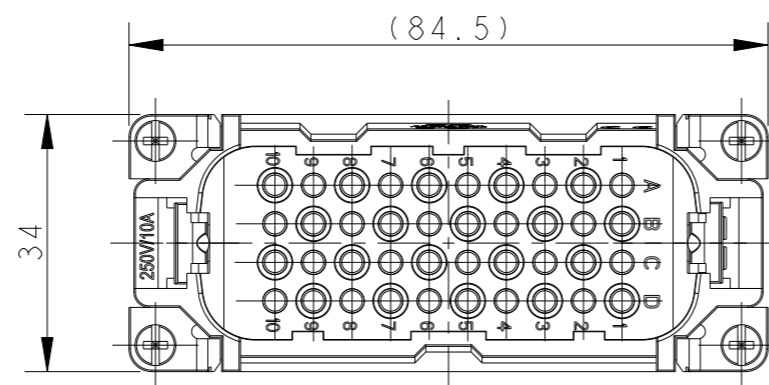
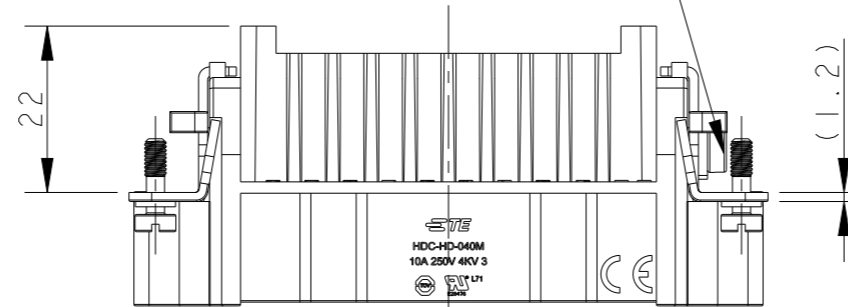
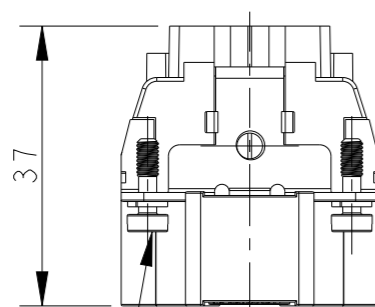
THIS DRAWING IS UNPUBLISHED. RELEASED FOR PUBLICATION 20
 © COPYRIGHT 20 BY - ALL RIGHTS RESERVED.

REVISIONS

P	LTR	DESCRIPTION	DATE	DWN	APVD
B	ECR-15-013292		24SEP2015	DL	CW
B1	ECR-15-017530		02DEC2015	GY	CW
B2	ECR-16-015492		08NOV2016	QY	CW
C	ECR-21-105750		30JUN2021	BS	CW



M4 SCREW RECOMMENDED
 TIGHTENING TORQUE 1.2Nm
 M4 螺丝, 推荐锁紧力矩 1.2Nm



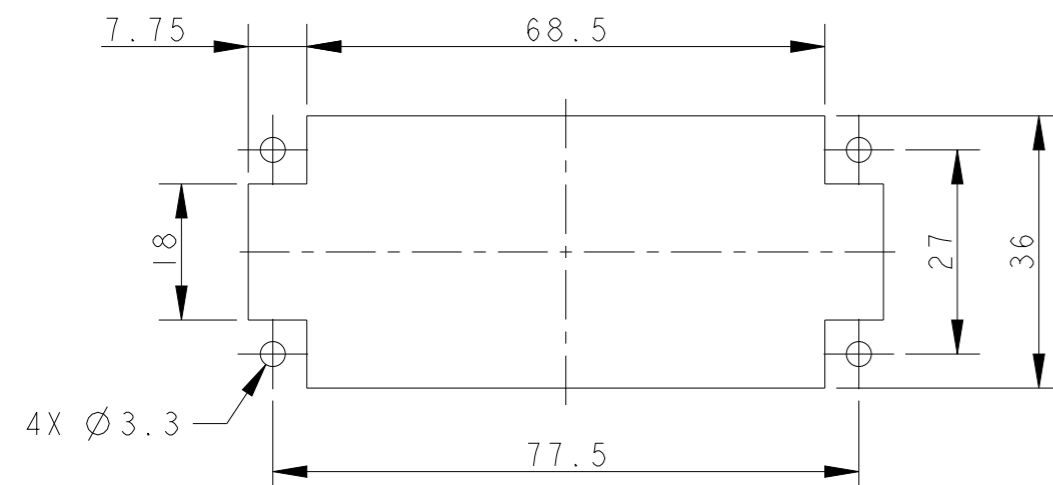
4X M3 SCREW RECOMMENDED
 TIGHTENING TORQUE 0.5Nm
 4X M3螺丝, 推荐锁紧力矩 0.5Nm

- NOTES:
- TECHNICAL CHARACTERISTICS:
 INSULATION MATERIAL: PC
 RATED VOLTAGE: 250 V
 RATED CURRENT: 10 A
 INSULATION RESISTANCE: $\geq 400M\Omega$
 RATED IMPULSE VOLTAGE: 4 KV
 POLLUTION DEGREE: 3
 FLAMMABILITY: UL94V-0
 MATING CYCLES: 500 CYCLES
 WIRE RANGE: 0.14-2.5 mm² (26-14 AWG)
 CONTACT TYPE: CRIMP CONTACT
 - CONTACT NEED TO BE ORDERED SEPARATELY.
 (ORDER No. REFER TO DRAWING: T20200X10XX000)

- 注释:
- 技术参数:
 绝缘材料: PC
 额定电压: 250V
 额定电流: 10A
 绝缘电阻: $\geq 400M\Omega$
 额定脉冲电压: 4 KV
 污染等级: 3
 阻燃等级: UL94V-0
 插拔次数: 500次
 接线范围: 0.14-2.5 mm² (26-14 AWG)
 接线类型: 冷压接
 - 端子需要单独订购.
 (订货号参考图面: T20200X10XX000)

TYPE-1, T2020402101-000, TE LOGO
 类型-1, T2020402101-000, TE LOGO

TYPE-2, T2020402101-001, STAINLESS STEEL SCREW, TE LOGO
 类型-2, T2020402101-001, 不锈钢螺丝, TE LOGO



PANEL CUT OUT FOR INSERTS FOR USE
 WITHOUT HOODS/HOUSINGS
 不用防护外壳时芯件的安装开孔图

THIS DRAWING IS A CONTROLLED DOCUMENT.		DWN	16DEC2014	TE Connectivity	
		CHK	16DEC2014		
		APVD	16DEC2014		
		NAME	CHRIS WANG		
DIMENSIONS: mm		PRODUCT SPEC	108-137042	NAME HD-040-M	
TOLERANCES UNLESS OTHERWISE SPECIFIED:		APPLICATION SPEC	114-137042	SIZE	CAGE CODE
0 PLC ±-		WEIGHT	-	A3	00779
1 PLC ±-		Customer Drawing		DRAWING NO	
2 PLC ±-				C-T2020402101000	
3 PLC ±-		SCALE	1:1	SHEET	1 OF 2
4 PLC ±-		RESTRICTED TO	-		
ANGLES ±-		REV C			
FINISH					

4

3

2

1

THIS DRAWING IS UNPUBLISHED.

RELEASED FOR PUBLICATION

20

© COPYRIGHT 20

BY -

ALL RIGHTS RESERVED.

REVISIONS

P	LTR	DESCRIPTION	DATE	DWN	APVD
-	-	SEE SHEET 1	-	-	-


NOTE:
SEE SHEET 1

注释:
见页 1

TYPE-3, T2020402101-002, STAINLESS STEEL SCREW, NO LOGO
类型-3, T2020402101-002, 不锈钢螺丝, 无LOGO

T2020402101-002	HD-040-M	HD-040 MALE INSERT, STAINLESS STEEL SCREW, NO LOGO HD-040 公插, 不锈钢螺丝, 无LOGO	TYPE-3 类型-3
T2020402101-001	HD-040-M	HD-040 MALE INSERT, STAINLESS STEEL SCREW HD-040 公插, 不锈钢螺丝	TYPE-2 类型-2
T2020402101-000	HD-040-M	HD-040 MALE INSERT HD-040 公插	TYPE-1 类型-1
PART NUMBER 料号	PART DESCRIPTION 描述		TYPE 类型

ALL DIMENSIONS ARE SAME AS TYPE 1,
EXCEPT THOSE DEFINED IN THIS TYPE.
除了在本类型中定义的尺寸外, 其它尺寸同类型 1

THIS DRAWING IS A CONTROLLED DOCUMENT.		DWN 16DEC2014 RAGHAVENDRA H M	 TE Connectivity	
DIMENSIONS: mm		CHK 16DEC2014 CHRIS WANG		
TOLERANCES UNLESS OTHERWISE SPECIFIED:		APVD 16DEC2014 XU XIANG	NAME HD-040-M	
0 PLC ±- 1 PLC ±- 2 PLC ±- 3 PLC ±- 4 PLC ±- ANGLES ±-		PRODUCT SPEC 108-137042	SIZE CAGE CODE DRAWING NO RESTRICTED TO	
MATERIAL		APPLICATION SPEC 114-137042	A300779 © T2020402101000	
FINISH		WEIGHT	SCALE 1:1 SHEET 2 OF 2 REV C	
		Customer Drawing		

1470-19 (3/13)