



Individually Control RGBW LED Neon Flex



Product Description

this is side emitting Neon strip An-ti fire silicon material with diffused color on top side inside part is the SK6812 addressable RGBW LED flex 60pcs of LEDs and Pixels per meter ,so each LED can be cut down and useful when you custom designing a size /length



no light shadow of each single or magic color

it comes 1meter in a reel and IP65 rated ,meanwhile

it could be custom made in different size

it has multi CCT of White, Warm white around 3000K ,

Nature white around 5500-6000K



Product Datasheet

Product Number	N010060CA4SA1
LED Quantity	60 leds/m
Material	Silicon
Control (IC)	SK6812
Luminance /M	R: 83 G: 202 B: 68 W:237/WW:295
Color Temperature	WW: 2800-3200K / W: 5500-6000K
Cutting Unit	16.6MM
Operating Voltage	DC5V
Power (W)	12W/M
Dimension	1000* 10* 20 MM
IP	IP65
Net Weight	0.3kg/roll (1m)
Operation Temperature	- 40 ~ 50 °C

Application



Outdoor Illumination, indoor decoration

Architectural decoration

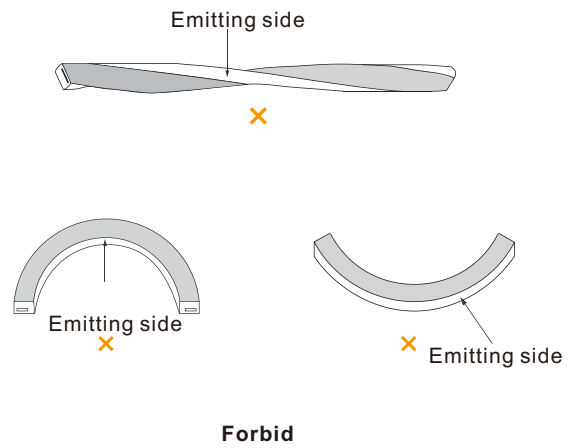
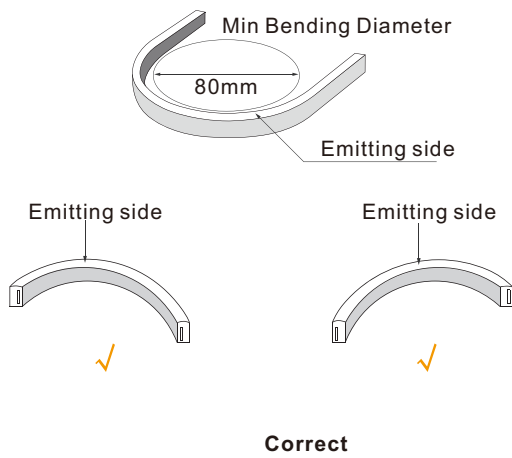


Neon Signboard

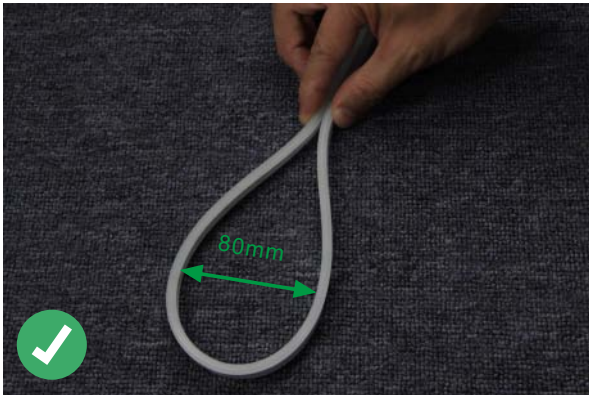
Christmas lighting



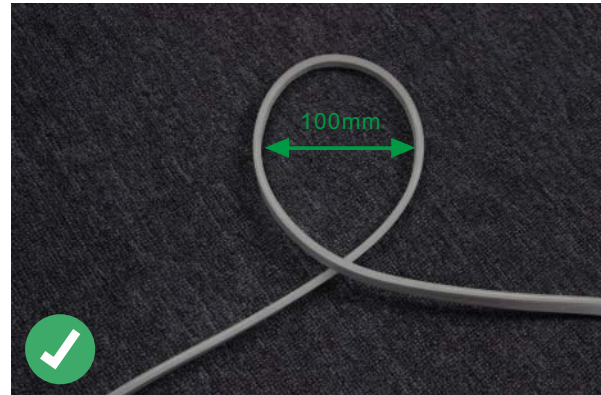
Correct bending way



Correct bending



Face to the lighting surface and fold the strip.
The minimum bending diameter is 80mm



Lighting surface upwards and the strip can be bended to right or left naturally, The minimum bending diameter is 100mm

Incorrect bending way



Face to the side surface (as the picture shows),
Do not bend it downward to damage the strip.



(as the picture shows) please do not twist the strip,
or it will be damaged



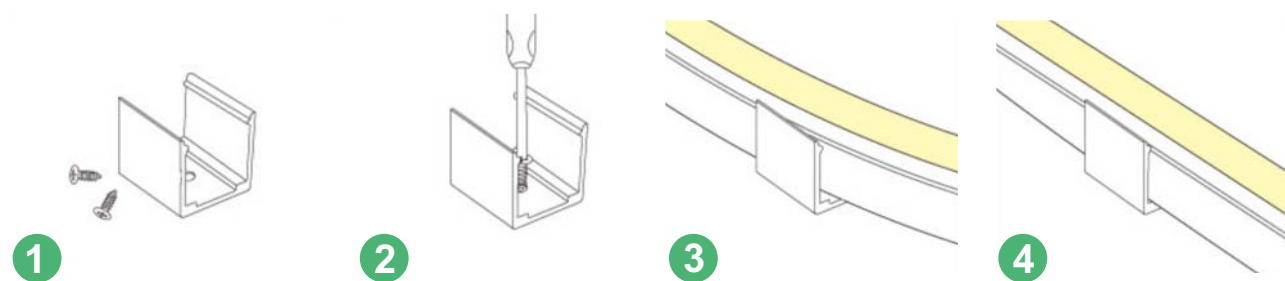
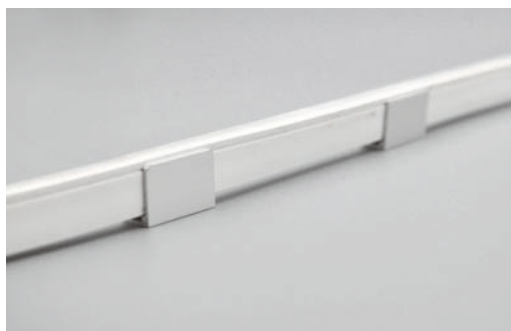
Installation



clips
50x8x13mm(LxWxH)

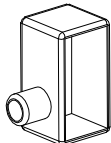
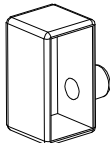
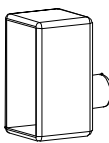
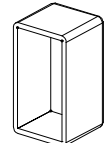


profile
1000x8x13mm(LxWxH)



Accessory(Excluded)

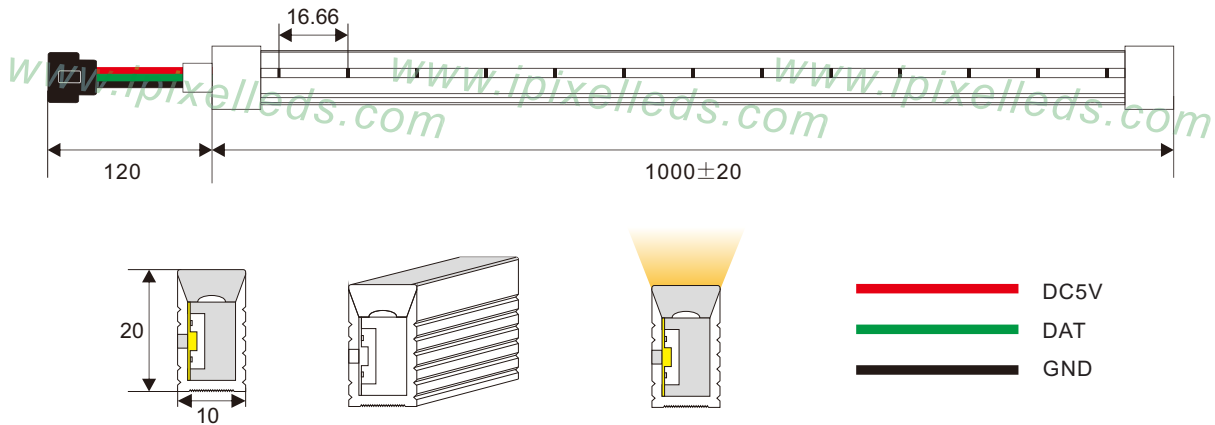
Name	Aluminum extrusion	Silicone glue
installation		
Remarks	L:1000 mm	10 ml/pc

Name	Standard Connector	Option A	Option B	End cap
Style				

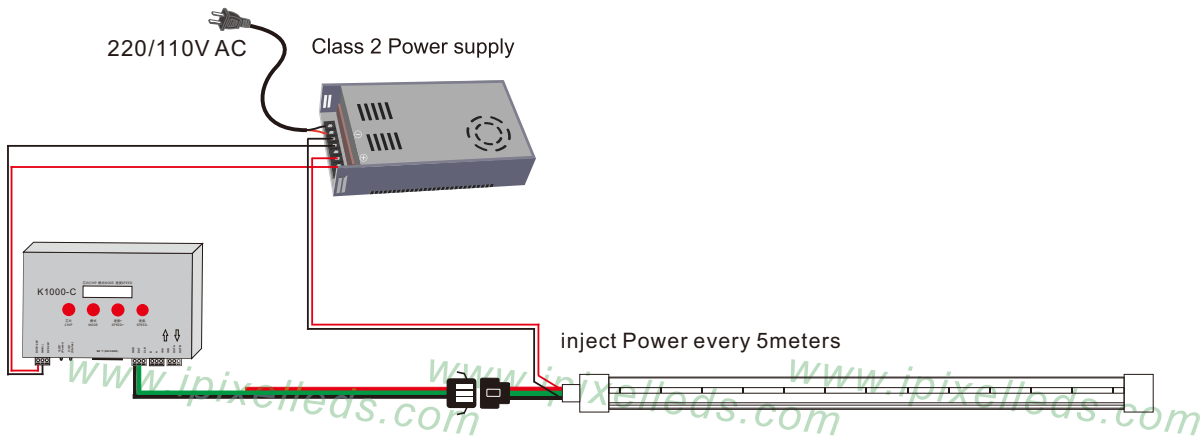


iPixel LED Light Co., Ltd

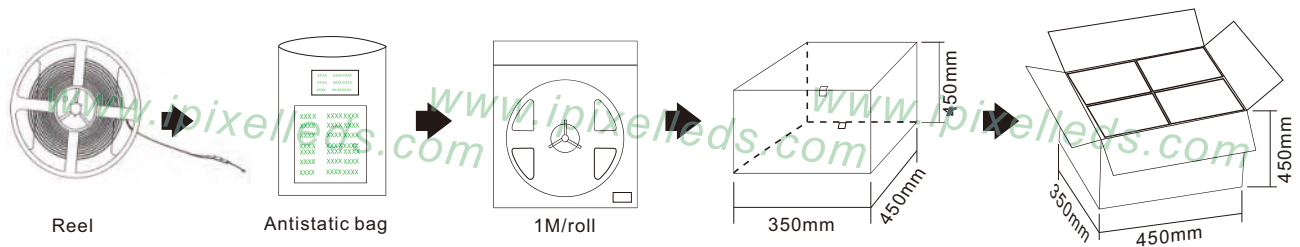
Outline Dimension (unit:mm)



Connection



Product packaging



Product number	Standard length	Quantity / volume	outer carton size	Weight(kg)/reel
N010060CB4ST	1M	240 Reels	L450xW350xH450mm	0.3kg
/				/
/				/
/				/
/				/