

THIS DRAWING IS UNPUBLISHED. RELEASED FOR PUBLICATION
 © COPYRIGHT - BY TYCO ELECTRONICS CORPORATION. ALL RIGHTS RESERVED.

LOC	DIST	REVISIONS					
CH	11	P	LTR	DESCRIPTION	DATE	DWN	APVD
			B	REVISED PER 0G3B-0080-02	7/15/02	SS	GS
			B1	REVISED PER ECO-09-020935	09SEP09	KK	AEG

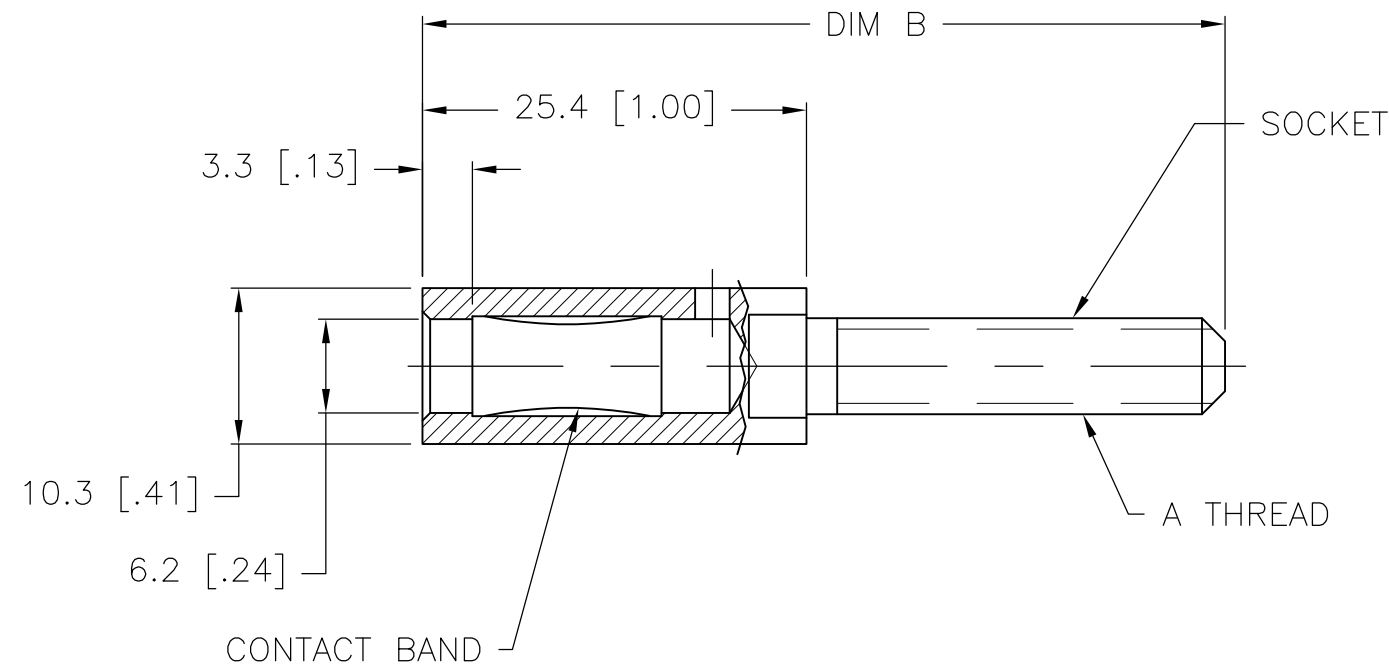
NOTES:

1. WIRE RACK MARKS PERMISSIBLE IN THREAD RELIEF AFTER PLATING.

② LUBRICATED ASSEMBLY.

③ PRELIMINARY PART NO.

④ OBSOLETE PARTS: OBSOLETE CIS STREAMLINING PER D.RENAUD/D.SINISI



②③	NORMAL: 200 C AND BELOW	SILVER/NI	36.8 [1.45]	1/4-28 UNF-2A	-	192211-5
	HI-TEMP: 400° C MAX	UNPLATED	53.1 [2.09]	M6X1-6g	09263	192211-4
④	HI-TEMP: 400° C MAX	UNPLATED	53.1 [2.09]	1/4-28 UNF-2A	09253	192211-3
	NORMAL: 200° C AND BELOW	GOLD/NI	53.1 [2.09]	M6X1-6g	09034	192211-2
OBSOLETE	NORMAL: 200° C AND BELOW	GOLD/NI	53.1 [2.09]	1/4-28 UNF-2A	09035	192211-1
	USAGE	BAND PL.	DIM B	THREAD A	HUGIN NO.	PART NO.

THIS DRAWING IS A CONTROLLED DOCUMENT.		DWN 02-24-92	J. MARTENS	Tyco Electronics Corporation Harrisburg, PA 17105	
DIMENSIONS: MM		CHK -	APVD -	NAME: SOCKET ASSY, 6mm	
TOLERANCES UNLESS OTHERWISE SPECIFIED:		PRODUCT SPEC -	APPLICATION SPEC -	RESTRICTED TO -	
0 PLC ± - 1 PLC ± - 2 PLC ± - 3 PLC ± 0.25[.01] 4 PLC ± - ANGLES ± -		WEIGHT -	SIZE A3	CAGE CODE 00779	DRAWING NO C-192211
MATERIAL: BODY: BRASS, BAND: BeCu		FINISH: BODY: SILVER/NI, BAND: SEE TABLE		CUSTOMER DRAWING	
			SCALE 2:1	SHEET 1 OF 1	REV B1