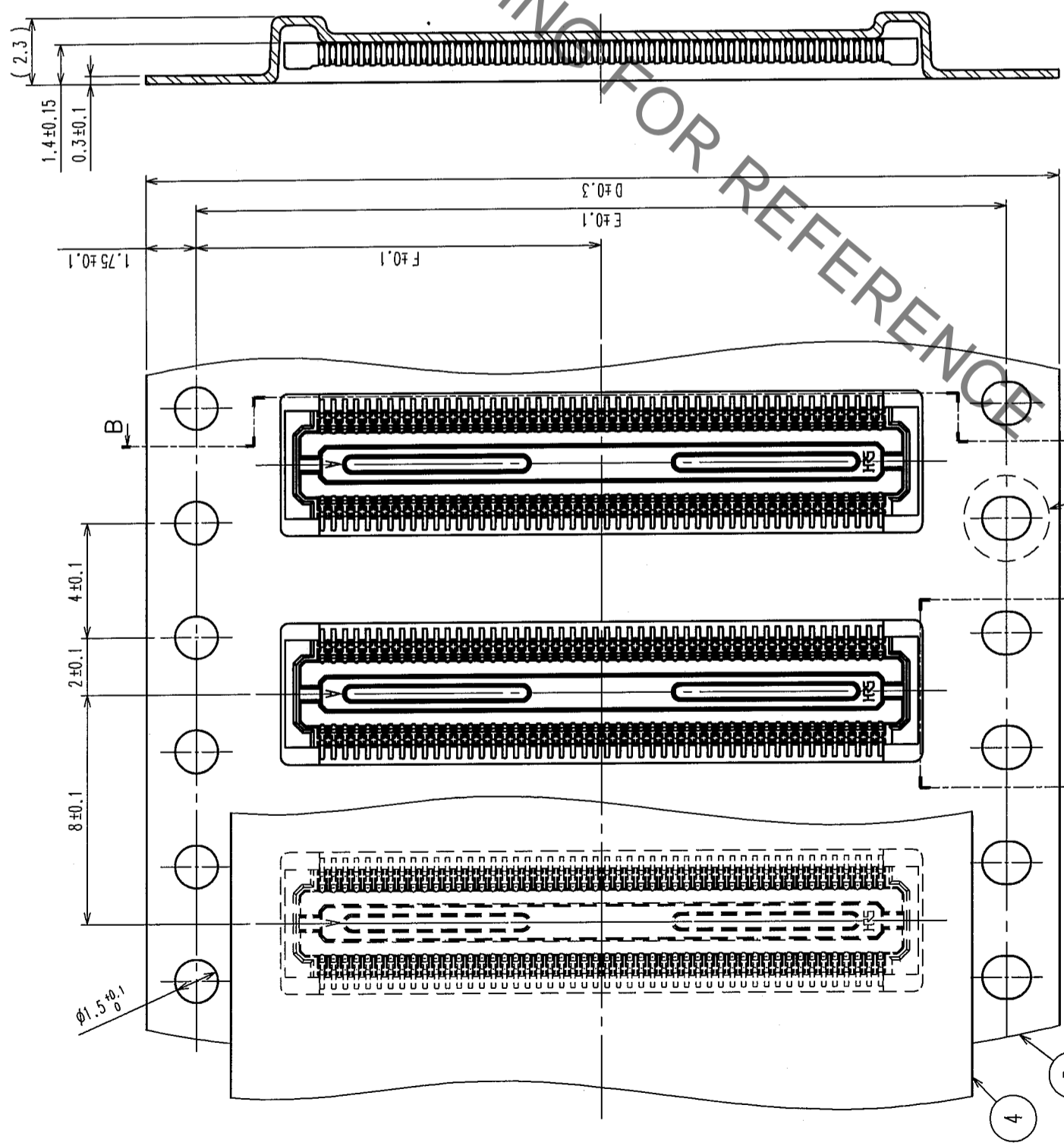


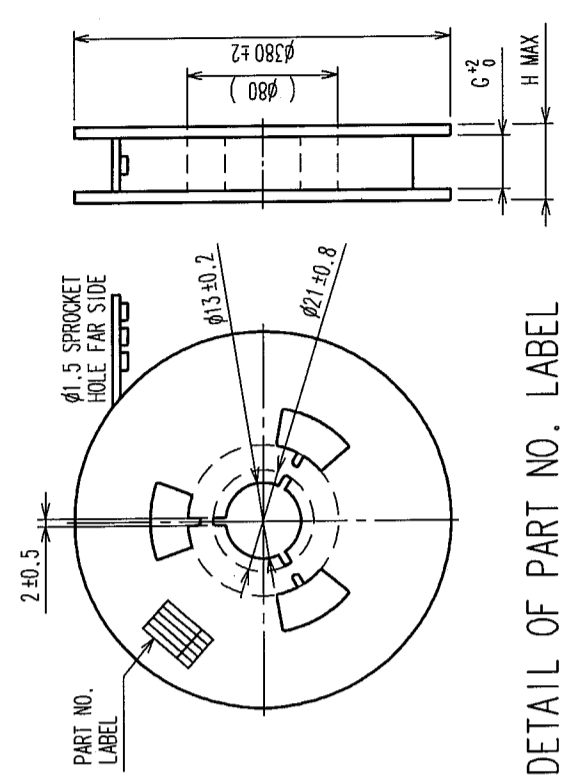
2 In case of consideration for using Automotive equipment / device which demand high reliability, kindly contact our sales window correspondents.

COUNT	DESCRIPTION OF REVISIONS	BY	CHKD	DATE	COUNT	DESCRIPTION OF REVISIONS	BY	CHKD	DATE
△									
△									
△									

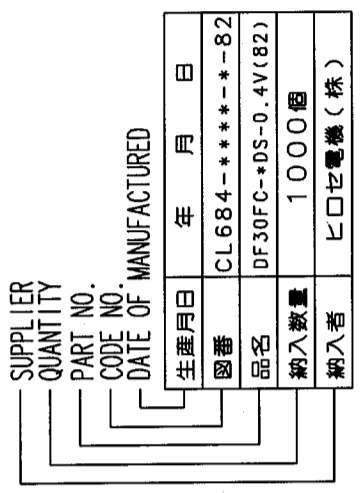
B-B



STYLE AND DIMENSION OF REEL (FREE)

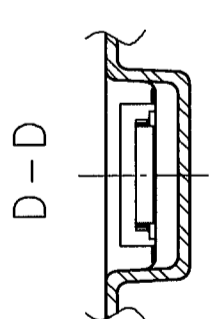
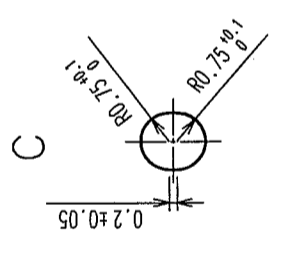


DETAIL OF PART NO. LABEL



PART NO.	D	E	F	G	H
DF30FC-80DS-0.4V(82)	32	28.4	14.2	32.4	38.4
DF30FC-70DS-0.4V(82)	24	-	11.5	24.4	30.4
DF30FC-60DS-0.4V(82)	24	-	11.5	24.4	30.4
DF30FC-50DS-0.4V(82)	24	-	11.5	24.4	30.4
DF30FC-40DS-0.4V(82)	24	-	11.5	24.4	30.4
DF30FC-34DS-0.4V(82)	16	-	7.5	16.4	22.4
DF30FC-30DS-0.4V(82)	16	-	7.5	16.4	22.4
DF30FC-24DS-0.4V(82)	16	-	7.5	16.4	22.4
DF30FC-22DS-0.4V(82)	16	-	7.5	16.4	22.4
DF30FC-20DS-0.4V(82)	16	-	7.5	16.4	22.4

CODE NO. (OLD)		DESIGNED	K. Nishida	CHECKED	K. Sasaki	APPROVED	J. Oka	RELEASED	
DRAWING NO.	EDC3-303556-05	DRAWN	T. NISHI	DATE	04-08-25	DATE	04-08-25	DATE	04-08-25
SCALE	5 : 1	PART NO.	DF30FC-DS-0.4V(82)						
UNITS	mm	CODE NO.	CL684-**-**-82						



TO	