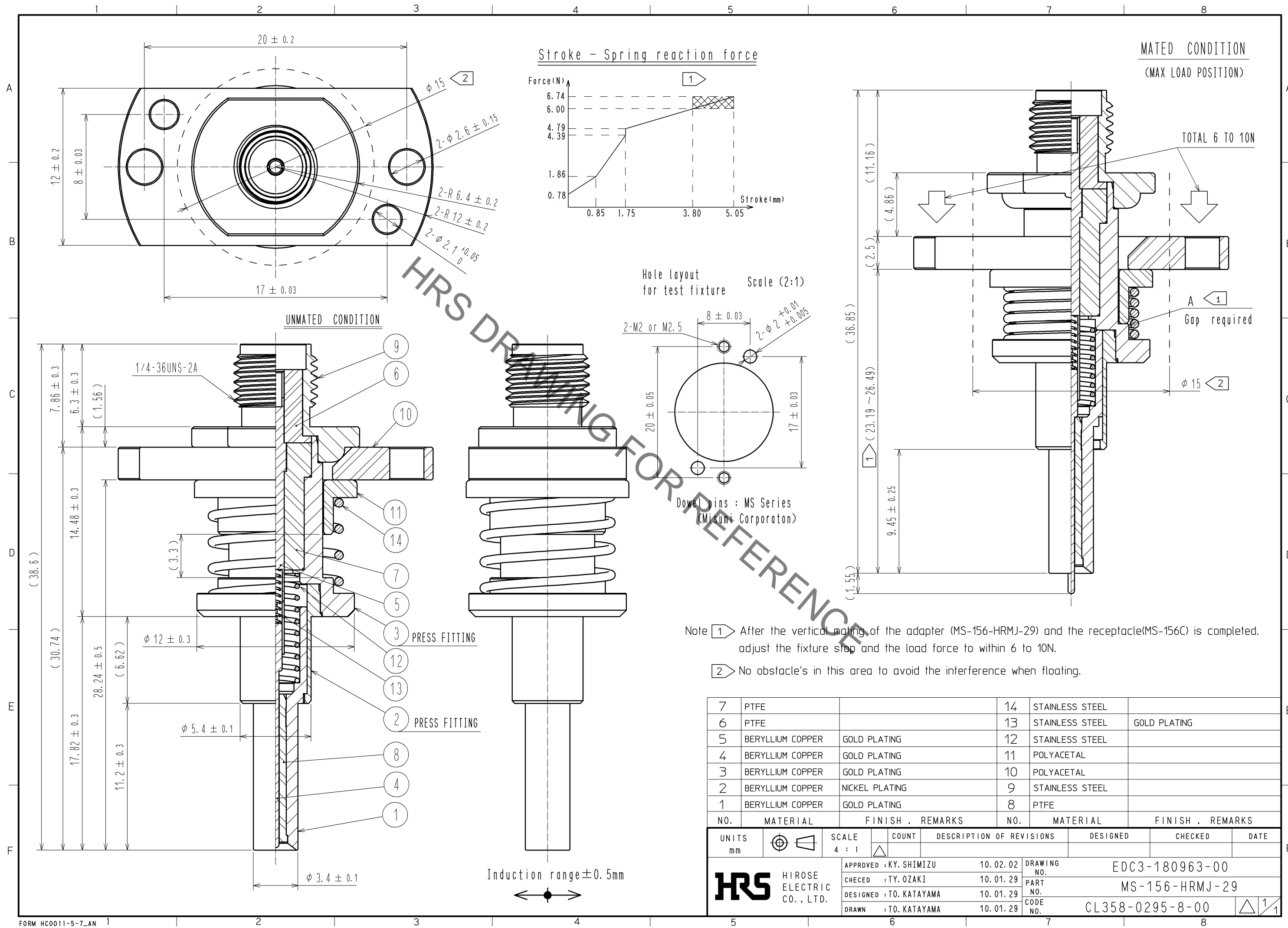


May.1.2023 Copyright 2023 HIROSE ELECTRIC CO., LTD. All Rights Reserved.  
In case of consideration for using Automotive equipment / device which demand high reliability, kindly contact our sales window correspondents.



Note 1 After the vertical mating of the adapter (MS-156-HRMJ-29) and the receptacle (MS-156C) is completed, adjust the fixture stop and the load force to within 6 to 10N.

Note 2 No obstacle's in this area to avoid the interference when floating.

7	PTFE		14	STAINLESS STEEL	
6	PTFE		13	STAINLESS STEEL	GOLD PLATING
5	BERYLLIUM COPPER	GOLD PLATING	12	STAINLESS STEEL	
4	BERYLLIUM COPPER	GOLD PLATING	11	POLYACETAL	
3	BERYLLIUM COPPER	GOLD PLATING	10	POLYACETAL	
2	BERYLLIUM COPPER	NICKEL PLATING	9	STAINLESS STEEL	
1	BERYLLIUM COPPER	GOLD PLATING	8	PTFE	
NO.	MATERIAL	FINISH . REMARKS	NO.	MATERIAL	FINISH . REMARKS
UNITS mm		SCALE 4 : 1	COUNT		DESCRIPTION OF REVISIONS
DESIGNED		CHECKED		DATE	
APPROVED : KY. SHIMIZU 10.02.02			DRAWING NO. EDC3-180963-00		
CHECKED : TY. OZAKI 10.01.29			PART NO. MS-156-HRMJ-29		
DESIGNED : TO. KATAYAMA 10.01.29			CODE NO. CL358-0295-8-00		
DRAWN : TO. KATAYAMA 10.01.29			1/1		