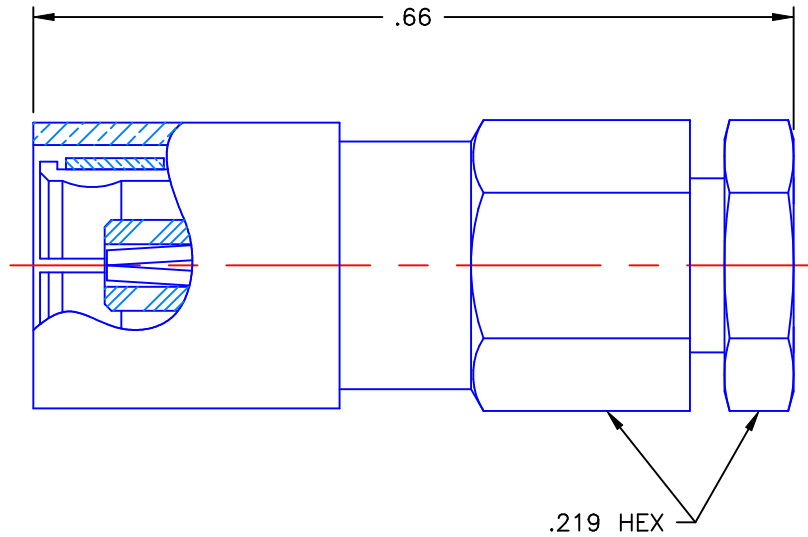


REVISIONS			
REV	DESCRIPTION	DATE	APPROVED
A	INITIAL RELEASE	04/01/10	A.D.M.



NOTES: COMFORMS TO MIL-C-39012 SMB SERIES.

**MATERIALS:**

1. CONTACT & SPRING = BERYLLIUM COPPER PER ASTM B196, ALLOY C17300, TEMPER TD04.
2. INSULATORS = VIRGIN WHITE TEFLON PER ASTM D1710, GRADE 1, TYPE I, CLASS "B".
3. ALL OTHER METAL PARTS = BRASS PER ASTM B16, ALLOY C36000, TEMPER H02.

**FINISHES:**

1. CONTACT = GOLD PLATE PER MIL-G-45204, TYPE II, CLASS 1, GRADE C, OVER .00010 TO .00020 STRESS FREE SULFAMATE NICKEL PER QQ-N-290.
2. SOLDER FITTING = GOLD PLATE PER MIL-G-45204, TYPE II, CLASS 0, GRADE C, OVER .00010 TO .00020 COPPER STRIKE PER MIL-C-14550.
3. ALL OTHER METAL PARTS = NICKEL PLATE PER QQ-N-290, CLASS 1, GRADE G, EXCEPT .0001 TO .0002 THICK OVER .00005 TO .0001 THICK COPPER PER MIL-C-14550.

Property of Radiall Incorporated  
This document cannot be reproduced or  
communicated to a third party without prior  
written permission of RADIALL Incorporated.

UNLESS OTHERWISE SPECIFIED DIMENSIONS ARE IN INCHES TOLERANCES ON	DWN:	DATE	
	A.D.M.	04/01/10	
	CHKD:	DATE	
DECIMAL	ANGLE	D.N.	04/01/10
		APVD:	DATE
		J.M.	04/01/10



**APPLIED ENGINEERING PRODUCTS**

104 John W. Murphy Dr.  
New Haven, CT 06513

SMB STRAIGHT FEMALE PLUG  
SOLDER-CLAMP TYPE  
FOR .085 S/R & SIMILAR CABLES

REFERENCE:	MATERIALS & FINISHES:	SIZE	FSCM NO.	DWG. NO.	REV
ORIGINATOR: A.D.M. DATE: 04/01/10	SEE NOTES	A	19505	2002-7541-010	A
		SCALE 6:1		THIRD ANGLE PROJECTION	SHEET 1 OF 1

2002-7541-010