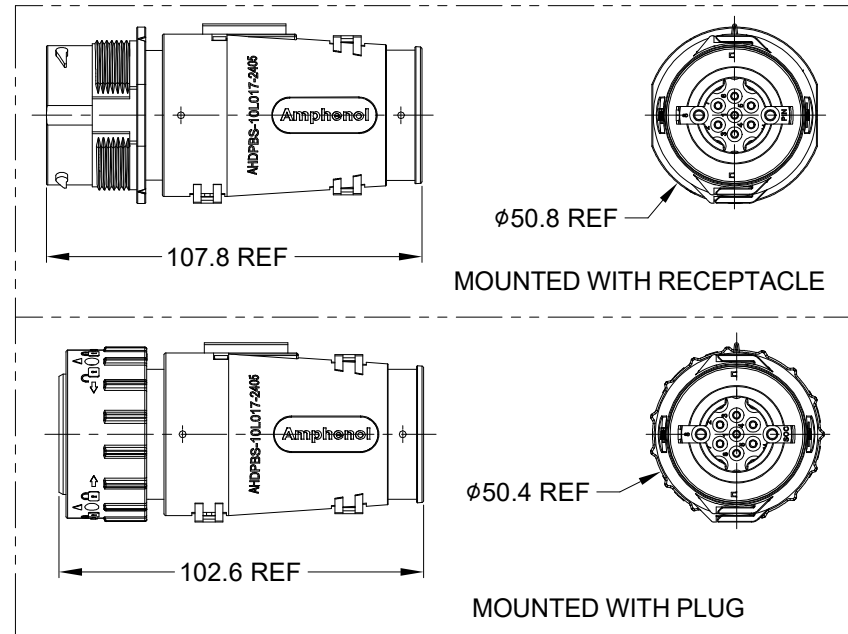
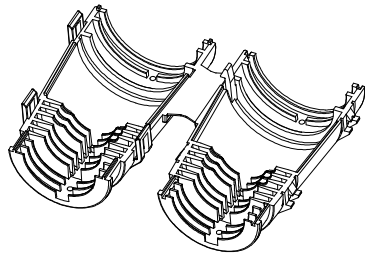
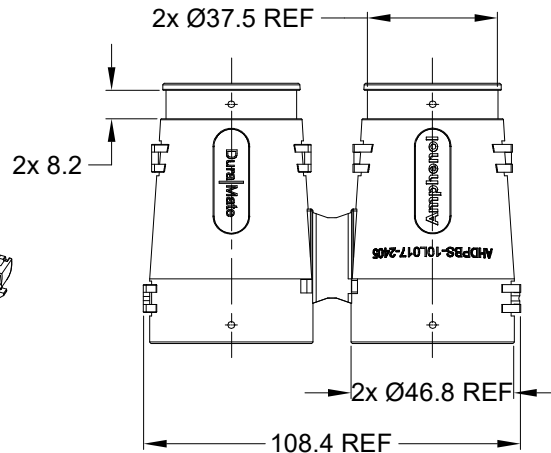
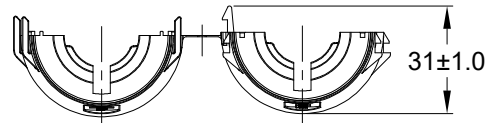
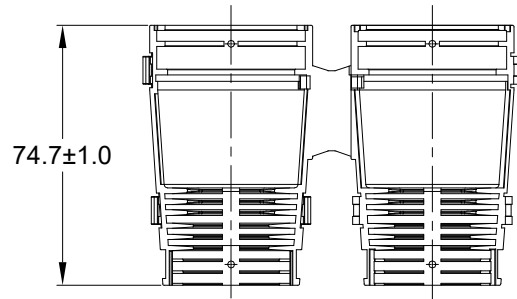


REVISIONS

REV	ECO	DESCRIPTION	DATE	BY	APPR
A1	-	FIRST ISSUE	08-MAR-22	MILO	TOMMY



NOTES: UNLESS OTHERWISE SPECIFIED

1. MATERIAL: THERMOPLASTIC, COLORS: BLACK
2. USE WITH AHDP02/04/06-24-*P/S-BRA
3. CABLE EXIT DESIGNED FOR CORRUGATED TUBE NW 17, 19 AND 26.
4. RoHS COMPLIANT
5. ALL DIMENSIONS ARE FOR REFERENCE USE ONLY.

QUANTITY	AHDPBS-10L017-2405	DESCRIPTION	REF: 2428-010-2405
	PART NUMBER		ITEM

MATERIALS LIST

SIGNATURES	DATE
DRAWN: MILO.DONG	08-MAR-22
CHECKED: SULLEN.ZHANG	09-MAR-22
ENGINEER:	
APPROVAL: TOMMY.XIE	10-MAR-22
CUSTOMER:	

UNLESS OTHERWISE SPECIFIED
 1) All dimensions are in metric (mm).
 2) Tolerances are as follows:
 1 PL DEC ±0.30 Fractions ±1/64
 2 PL DEC ±0.15 Angles ±1°
 3 PL DEC ±0.08
 3) Note reference =

MATERIAL SPECIFICATIONS:
 WEIGHT: 32.3g

PROCESS SPECIFICATIONS:
 THIS DRAWING IS SUPPLIED FOR INFORMATION ONLY. DESIGN FEATURES, SPECIFICATIONS AND PERFORMANCE DATA SHOWN HEREON ARE THE PROPERTY OF THE AMPHENOL CORPORATION. NO RIGHTS OF REPRODUCTION ARE IMPLIED. ALL DIMENSIONS ARE SUBJECT TO NORMAL MANUFACTURING VARIATIONS.

NEXT ASSY:

Amphenol

Sine Systems - www.amphenol-sine.com
 44724 Morley Drive
 Clinton Township, MI 48036

BACKSHELL, COVER, STRAIGHT, AHDP SERIES, SIZE 24, BRA

SIZE	TYPE	DWG NO:	REVISION
A	C-	AHDPBS-10L017-2405	A1
SCALE:	NONE	DURAMATE	SHEET 1 OF 1