

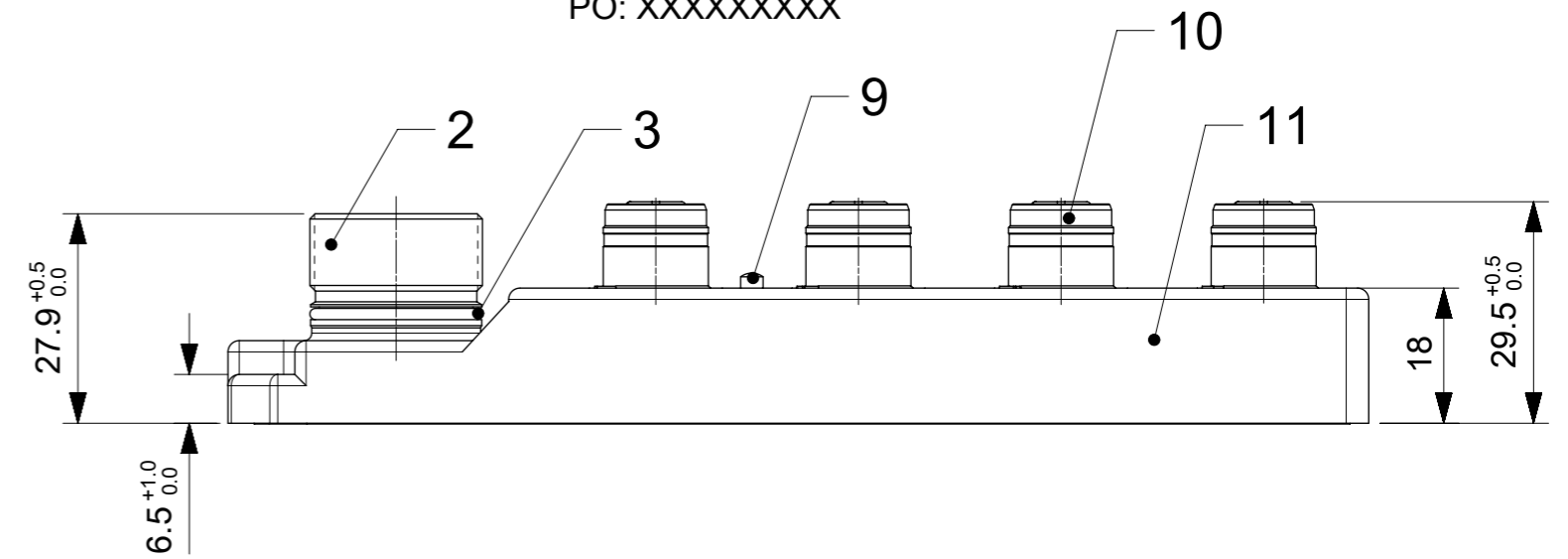
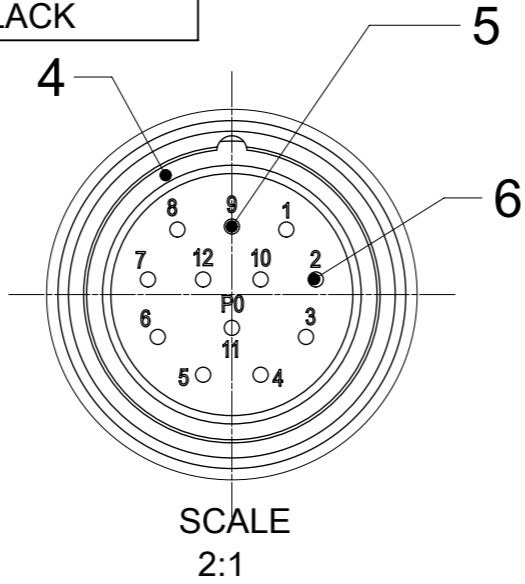
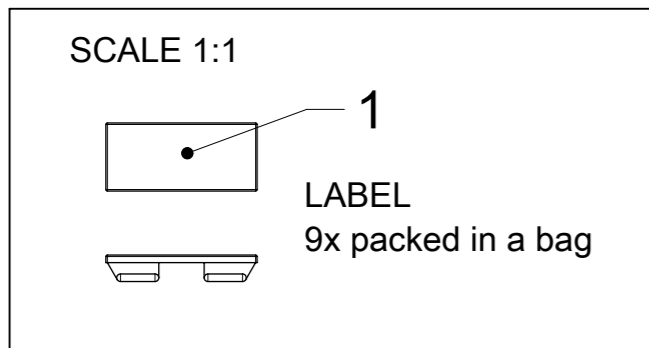
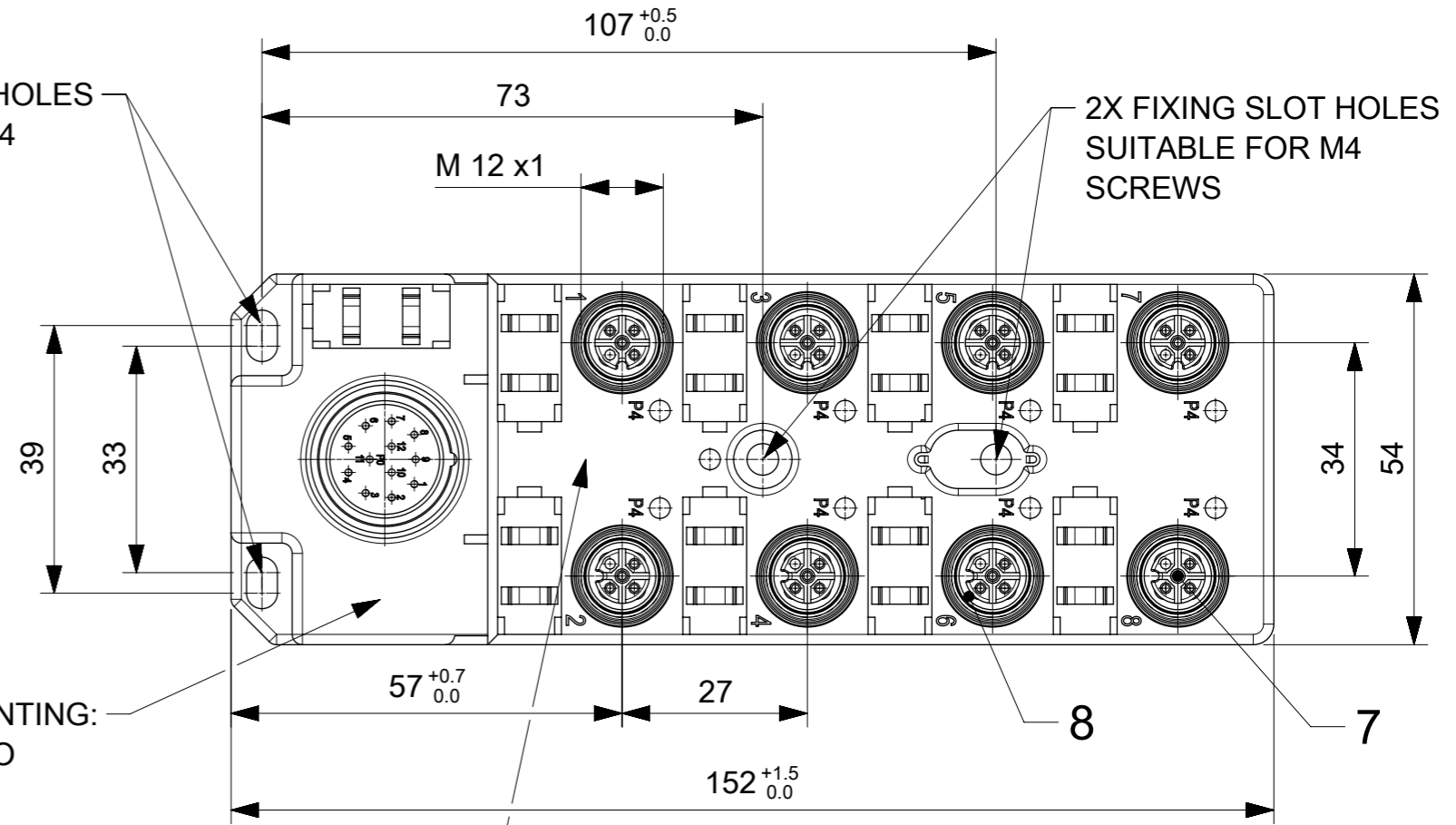
**TABLE 1**

MOLEX P/N	ENG. NO.	LED
1202510055	BKB8010-FBC	NO
1202510056	BKB801P-FBC	YES
1202510057	BKB801N-FBC	YES

**TABLE 2 BILL OF MATERIAL**

ITEM	DESCRIPTION	MATERIAL	FINISH
1	LABEL	ABS	WHITE
2	SHELL	BRASS	NICKEL PLATED
3	O-RING	NBR	BLACK
4	O-RING	NBR	BLACK
5	CONTACT	BRASS	GOLD OVER NICKEL
6	CONTACT	BRASS	GOLD OVER NICKEL
7	CONTACT	BRONZE	GOLD OVER NICKEL
8	O-RING	FPM	RED
9	LED	NO LED = PA	BLACK
		WITH LED = PA	TRANSPARENT
10	SHELL	BRASS	NICKEL PLATED
11	HOUSING	PBT	BLACK

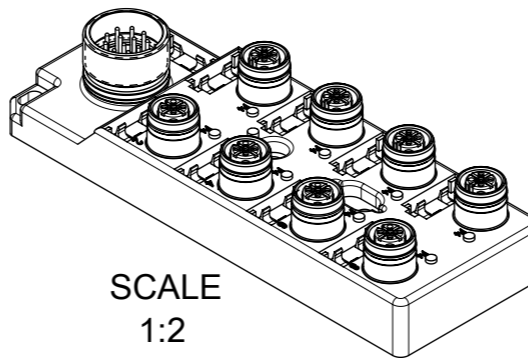
2X FIXING SLOT HOLES  
SUITABLE FOR M4  
SCREWS



**GENERAL CHARACTERISTICS:**

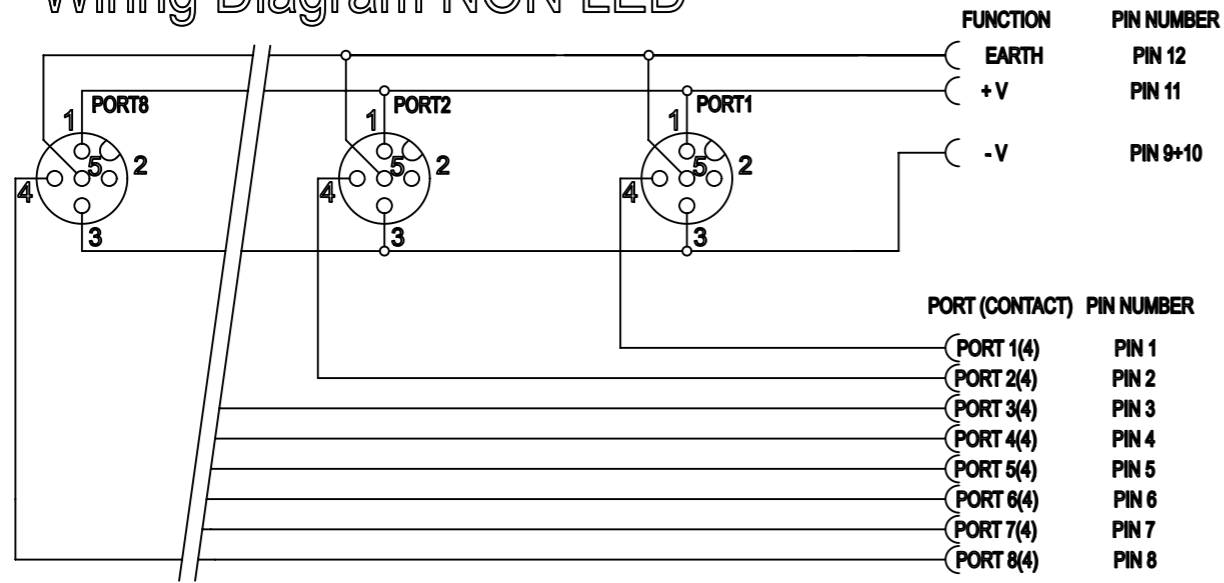
ELECTRICAL AND MECHANICAL DATA ACC. TO IEC 61076-2-101

NOMINAL VOLTAGE: 10-30 V DC  
 AMPERE RATING: 4 A PER PORT / 12 A MAX  
 AMPERE RATING WITH UL REGISTRATION: 3 A PER PORT / 9 A MAX  
 IP DEGREE OF PROTECTION: IP 67  
 TEMPERATURE RANGE: -25°C to + 85°C

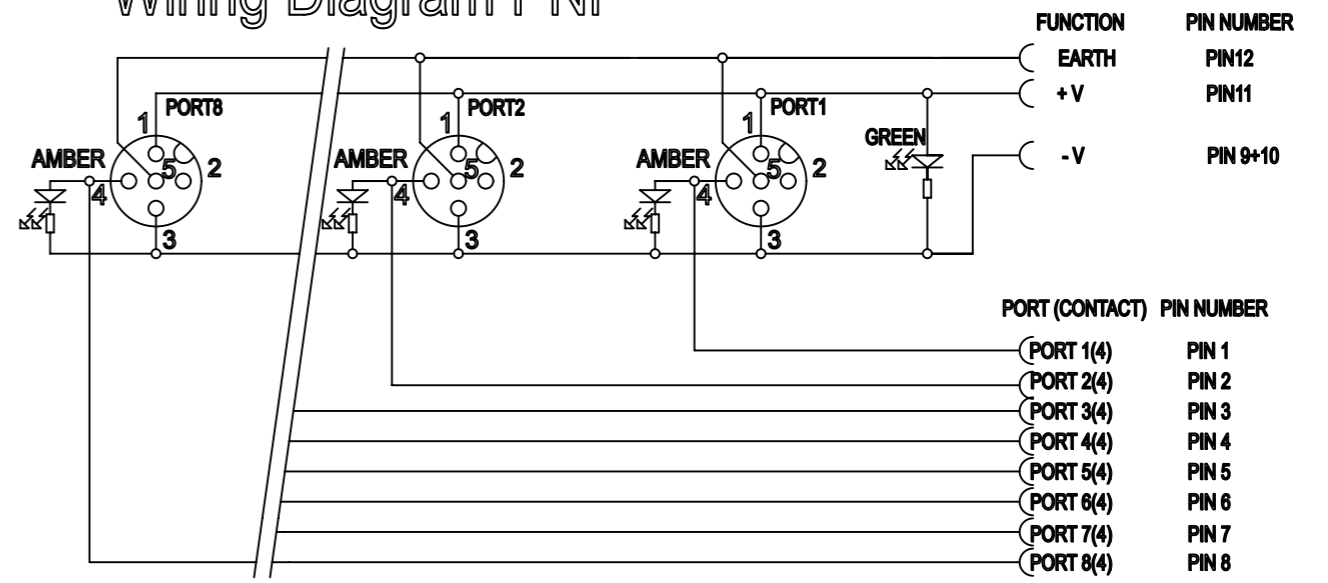


SYMBOLS		THIS DRAWING CONTAINS INFORMATION THAT IS PROPRIETARY TO MOLEX ELECTRONIC TECHNOLOGIES, LLC AND SHOULD NOT BE USED WITHOUT WRITTEN PERMISSION		CURRENT REV DESC:		molex	
▽ = 0	mm	SCALE	1:1	EC NO: 630686		MPIS U12 NON 4P 8PT M23 BK SINGLE	
▽ = 0	GENERAL TOLERANCES (UNLESS SPECIFIED)			DRWN: SSM	2018/12/04	PRODUCT CUSTOMER DRAWING	
▽ = 0	ANGULAR TOL ± 1.0°			CHK'D: RSILLER	2020/01/17	DOCUMENT NUMBER	
▽ = 0	4 PLACES	±		APPR: RSILLER	2020/01/17	1202510055	
▽ = 0	3 PLACES	±		INITIAL REVISION:		DOC TYPE	DOC PART
▽ = 0	2 PLACES	± 0.05		DRWN: SSM	2018/12/04	PSD	000
▽ = 0	1 PLACE	± 0.3		APPR: RSILLER	2020/01/17	A	
▽ = 0	0 PLACES	± 0.5		DRAFT WHERE APPLICABLE MUST REMAIN WITHIN DIMENSIONS		MATERIAL NUMBER	CUSTOMER
▽ = 0	THIRD ANGLE PROJECTION			DRAWING	SERIES	SEE TABLE 1	GENERAL MARKET
▽ = 0	A3-SIZE			120251	120251	SHEET NUMBER	
						1 OF 2	

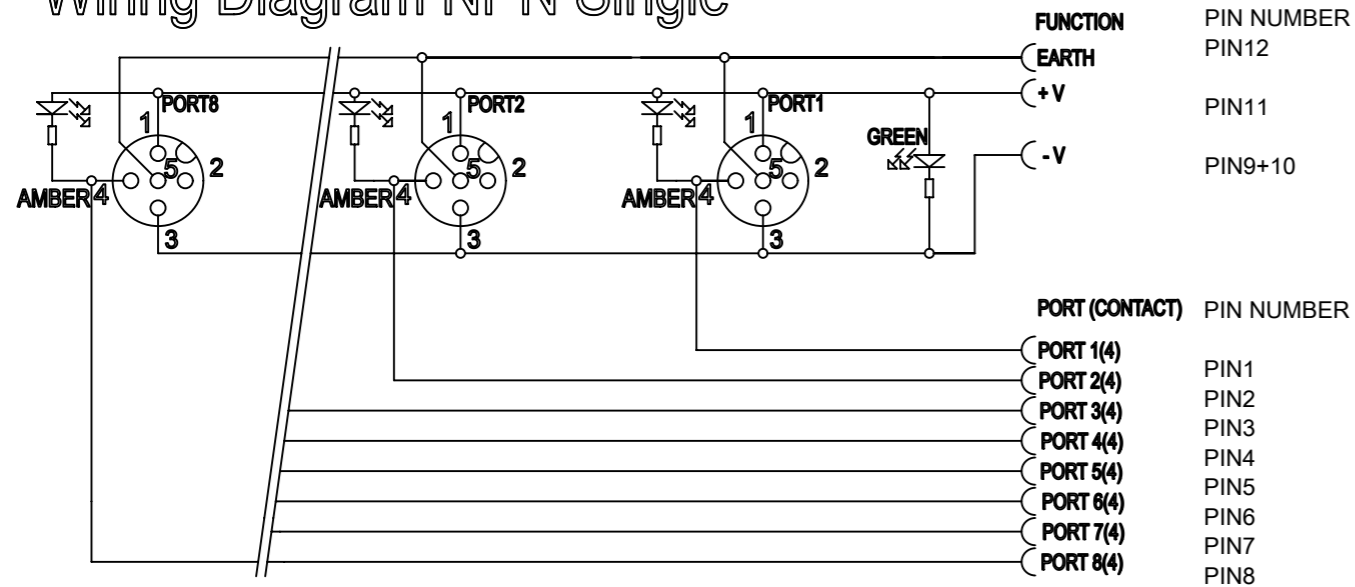
### Wiring Diagram NON LED



### Wiring Diagram PNP



### Wiring Diagram NPN Single



SYMBOLS	THIS DRAWING CONTAINS INFORMATION THAT IS PROPRIETARY TO MOLEX ELECTRONIC TECHNOLOGIES, LLC AND SHOULD NOT BE USED WITHOUT WRITTEN PERMISSION		<div style="text-align: center; font-size: 24pt; font-weight: bold;">molex</div>			
	DIMENSION UNITS	SCALE				MPIS U12 NON 4P 8PT M23 BK SINGLE
▽ = 0	mm	1:1	PRODUCT CUSTOMER DRAWING			
▽ = 0	GENERAL TOLERANCES (UNLESS SPECIFIED)		DOCUMENT NUMBER			
▽ = 0	ANGULAR TOL ± 1.0°		1202510055			
▽ = 0	4 PLACES ±		DOC TYPE			
▽ = 0	3 PLACES ±		PSD			
▽ = 0	2 PLACES ± 0.05		DOC PART			
▽ = 0	1 PLACE ± 0.3		000			
▽ = 0	0 PLACES ± 0.5		REVISION			
▽ = 0	DRAFT WHERE APPLICABLE MUST REMAIN WITHIN DIMENSIONS		A			
▽ = 0	THIRD ANGLE PROJECTION	DRAWING	SERIES	MATERIAL NUMBER	CUSTOMER	SHEET NUMBER
▽ = 0		A3-SIZE	120251	SEE TABLE 1	GENERAL MARKET	2 OF 2