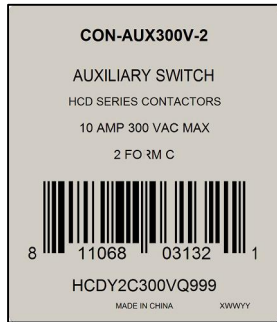
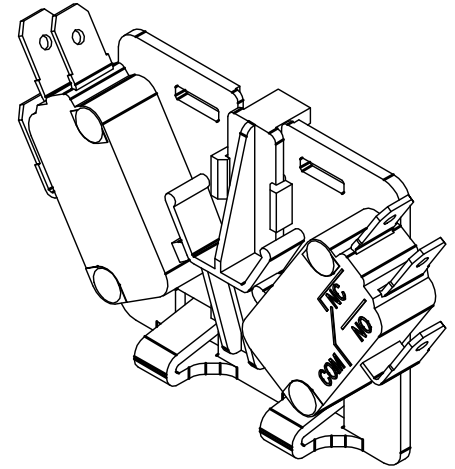
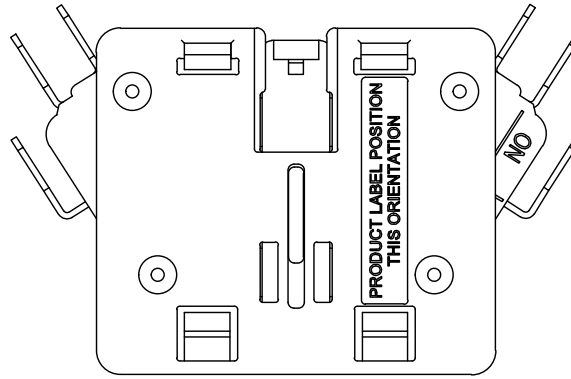
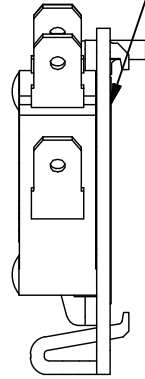
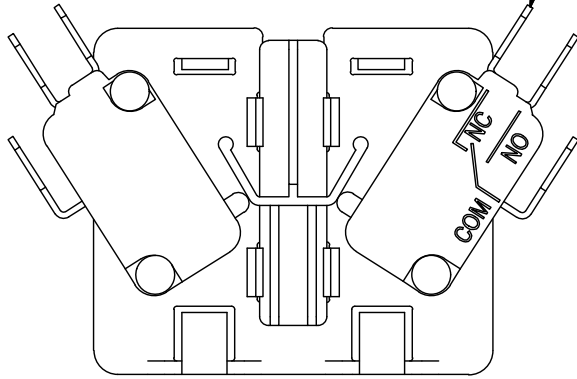


LABEL	UPCA BARCODE NUMBER
I-BOX	811068031321
MASTER BOX	811068031338

NOTES: UNLESS OTHERWISE SPECIFIED

.250"[6.35 mm] X .032"[.81 mm] THICK
MALE QUICK CONNECT TERMINALS
(6)

RIVETS FLUSH OR
BELOW THIS SURFACE



INDIVIDUAL BOX LABEL - 1005215
(1.50"[38.1] X 1.75"[44.5])



PRODUCT LABEL - 1005291
(1.18"[30.0] X 0.24"[6.1])

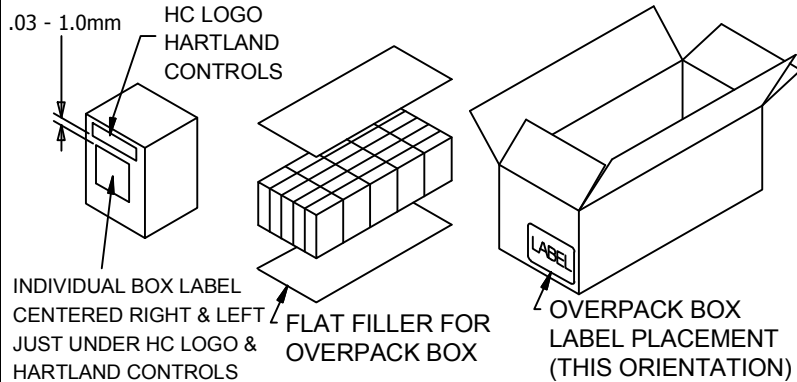


MASTER BOX LABEL - 1005278
(4.00"[101.6] X 2.00"[50.8])



FULL PALLET LABEL - 1005279
(4.00"[101.6] X 2.00"[50.8])

PACKAGING



BOX	FLAT FILLER	OVERPACK
1005293	DC-HCC-AS050 (2 PIECES)	DC-HCC-AS010

D	REVISED FLAT FILLER AND OVERPACK PART NUMBERS	04688	BJS	KWD	7/9/18
C	ADD 0.3-1.0mm DIM. TO LABEL DETAIL. REVISE I-BOX LABEL LAYOUT.	04671	MM	KWD	6/26/18
B	ADDED I-BOX LABEL PLACEMENT	04496	KWD	MM	1/11/18
A	ISSUE DRAWING	04401	MM	KWD	12/20/17
REV	DESCRIPTION	ECN	DWN	APVD	APVD DATE

Hartland Controls LLC
807 Antec Rd.
Rock Falls, IL 61071

DRN. BY MM	DRN. DATE 12/12/17	CHECKED BY KWD	CHECKED DATE 12/20/17
---------------	-----------------------	-------------------	--------------------------

DESC. AUX. SWITCH 2 SPDT MICRO

PART NO. HCDY2C300VQ999