

GN 750 | Control levers

Steel

METRIC



LEVER BODY

Black-oxide steel.

HUB CAP

Acetal resin based (POM) technopolymer, light-grey colour.

LEVER ARM

Black-oxide steel with cylindrical handle 1.280 (see page 648) in Duroplast.

STANDARD EXECUTIONS

H7 reamed through hole.

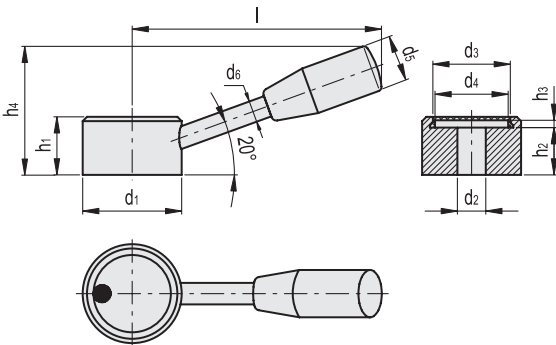
- GN 750-M: cap with black position point.
- GN 750-N: plain cap.

SPECIAL EXECUTIONS ON REQUEST

- Square pass-through hole (GN 750-V), see Technical data on page A-15.
- Pass-through hole and keyway (GN 750-K) in compliance with DIN 6885/1 tolerance P9 (see page A-15).



Conversion Table	
1 mm = 0.039 inch	
d1	
mm	inch
32	1.26
40	1.57
50	1.97



Code	Description	d1	l	d2 H7	h1	h2	h3	h4	d3	d4	d5	d6	⚖
GN.19101	GN 750-32-B10-M	32	84	10	21	15	4.2	43	25	23	18	8	123
GN.19105	GN 750-32-B10-N	32	84	10	21	15	4.2	43	25	23	18	8	123
GN.19111	GN 750-40-B12-M	40	106	12	25	19	4	54	32	30	21	9	232
GN.19115	GN 750-40-B12-N	40	106	12	25	19	4	54	32	30	21	9	232
GN.19121	GN 750-50-B14-M	50	130	14	28	22	3.8	63	40	37.5	23	11	412
GN.19125	GN 750-50-B14-N	50	130	14	28	22	3.8	63	40	37.5	23	11	412

METRIC

MS. | Ball and spring

for control elements, stainless steel



SPRING

AISI 302 stainless steel.

BALL

AISI 420 stainless steel.

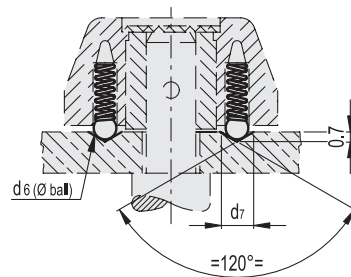
FEATURES AND APPLICATIONS

MS. group is indicated for fitting on the following operating and control knobs where clicking operation is required:

- IZN.380 see page 681
- EGK.SOFT see page 709
- LBR. see page 714
- ELC. see page 717
- ELCR. see page 718



Assembly example with ball and spring for clicking operation



Code	Description	d6	d7 -0.3
35001	MS.D3	3	2
35051	MS.D4	4	3.0
35101	MS.D5	5	4.0
35201	MS.D6	6	5.5
35301	MS.D8	8	7.0
35401	MS.D10	10	8.5

INOX STAINLESS STEEL

METRIC



Control elements