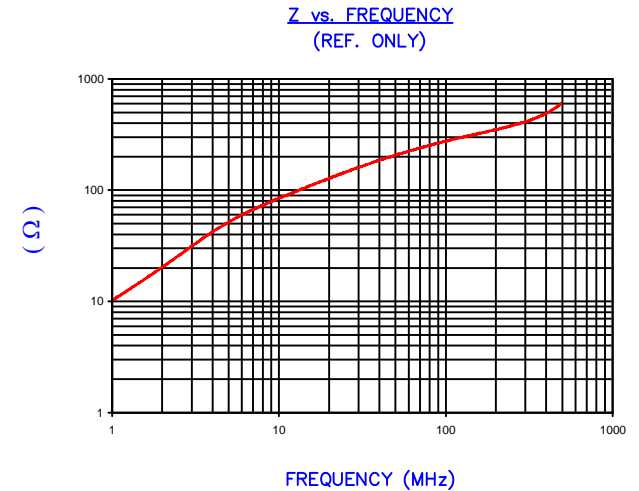


RoHS

IMPEDANCE (Z)			
Frequency	25 MHz	100 MHz	300 MHz
Nominal (REF)	147 Ω	276 Ω	412 Ω
Minimum	- Ω	220 Ω	- Ω



AGILENT E4991A Impedance/Material Analyzer
HP 16092A-Test Fixture

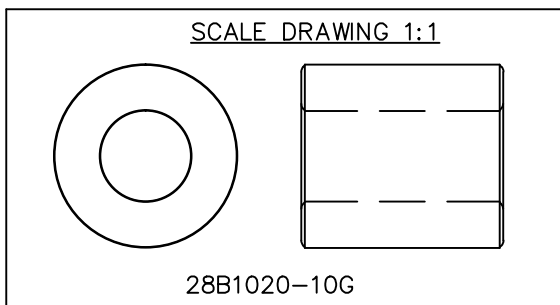
FERRITE CORE DIMENSIONS (SPEC): mm [in]

A	25.99 [1.023]	±	0.50 [.002]
B	12.75 [.502]	±	0.35 [.014]
C	28.66 [1.128]	±	0.80 [.032]

WEIGHT/1000 56.01 kgs [123.49 Lbs]

NOTE:

1. BARE CORE: 28B1020-100
2. DLB SPEC (BLACK EPOXY COATING): 500VAC MIN @ 6.17LBS
3. COSMETIC SPECIFICATION REFER TO WI-QA-038.



DIMENSIONS ARE IN mm [INCHES].			
REV	DESCRIPTION	DATE	INT
B	UPDATE LOGO	09/07/16	QIU
A	ORIGINAL DRAFT	01/04/10	Jcai

This print is the property of Laird Tech. and is loaned in confidence subject to return upon request and with the understanding that no copies shall be made without the written consent of Laird Tech. All rights to design or invention are reserved.



PROJECT/PART NUMBER: 28B1020-10G	REV B	PART TYPE: FERRITE CORE	DRAWN BY: Jcai
DATE: 01/04/10	SCALE: 1.5 : 1	MATERIAL: FERRITE	
CAD # 28B1020-10G-B	TOOL # B1020		