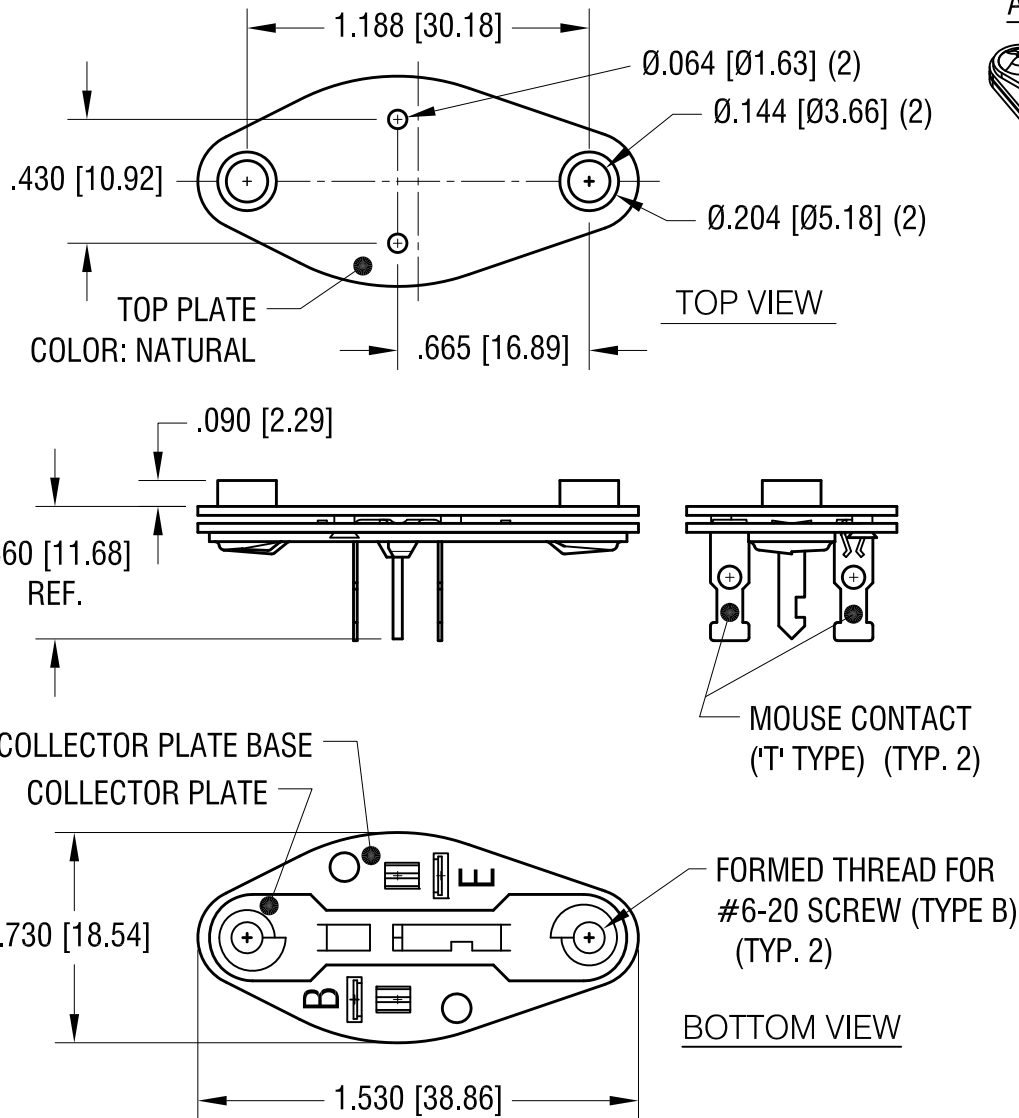


THIS DOCUMENT IS THE PROPERTY OF KEYSTONE ELECTRONICS CORP. AND SHALL NOT BE REPRODUCED, DISTRIBUTED OR USED AS A BASIS FOR MANUFACTURE WITHOUT PRIOR WRITTEN PERMISSION FROM KEYSTONE ELECTRONICS CORP.



**NOTES:**

TOP PLATE: COLOR - NATURAL

MAT'L - NYLON 6/6 UL 94V-2

COLLECTOR PLATE BASE:

MAT'L - .032 [0.81] TH'K PHENOLIC

COLLECTOR PLATE:

MAT'L - .032 [0.81] TH'K STEEL

FINISH - TIN PLATE

MOUSE CONTACT ('T' TYPE):

MAT'L - .013 [0.33] TH'K BRASS

FINISH - TIN PLATE

10.1.03	CHANGE AS PER ECN 03-071	A
DATE	DESCRIPTION	REV.

<b>KEYSTONE ELECTRONICS CORP.</b>			
www.keyelco.com • NEW HYDE PARK, NY 11040 • Tel (516) 328-7500			
PART NAME			
TO-3 POWER TRANSISTOR SOCKET			
MATERIAL			
AS NOTED			
FINISH		DRN BY	DATE
AS NOTED		BOONE	4.26.82
		APP'D	SCALE
		LN	1.5X
TOLERANCES	INCH [MM]	CODE	DWG NO.
DECIMAL	± .005 [± 0.13]	C	<b>4601</b>
ANGULAR	± 1°		
UNLESS OTHERWISE SPECIFIED			