

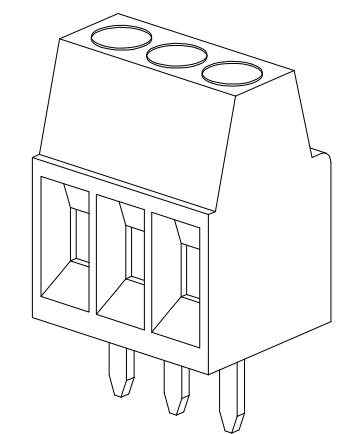
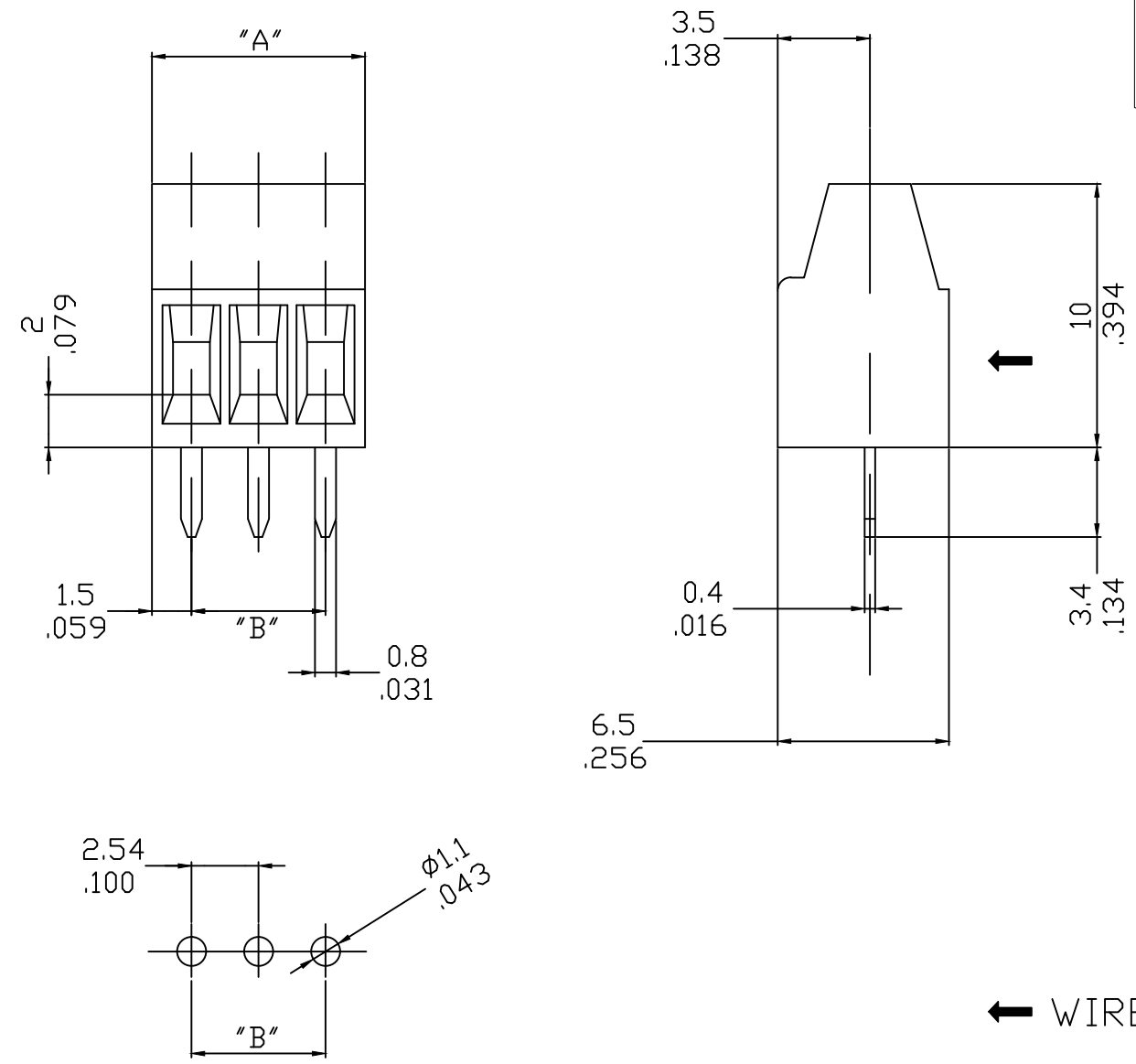
| NUMBER OF CIRCUITS "XX" | MATERIAL NO. | ENG. NO. | DIM "A" | DIM "B" |
|-------------------------|--------------|-------------|---------------|---------------|
| 02 | 397730002 | MX-MSD02004 | 5.54 [.218] | 2.54 [.100] |
| 03 | 397730003 | MX-MSD03004 | 8.08 [.318] | 5.08 [.200] |
| 04 | 397730004 | MX-MSD04004 | 10.62 [.418] | 7.62 [.300] |
| 05 | 397730005 | MX-MSD05004 | 13.16 [.518] | 10.16 [.400] |
| 06 | 397730006 | MX-MSD06004 | 15.70 [.618] | 12.70 [.500] |
| 07 | 397730007 | MX-MSD07004 | 18.24 [.718] | 15.24 [.600] |
| 08 | 397730008 | MX-MSD08004 | 20.78 [.818] | 17.78 [.700] |
| 09 | 397730009 | MX-MSD09004 | 23.32 [.918] | 20.32 [.800] |
| 10 | 397730010 | MX-MSD10004 | 25.86 [1.018] | 22.86 [.900] |
| 11 | 397730011 | MX-MSD11004 | 28.40 [1.118] | 25.40 [1.000] |
| 12 | 397730012 | MX-MSD12004 | 30.94 [1.218] | 27.94 [1.100] |

SPECIFICATIONS

| | |
|---------------------------|-------------------------------|
| MAXIMUM VOLTAGE (PER UL): | 150V |
| MAXIMUM CURRENT (PER UL): | 10A |
| WIRE RANGE (PER UL): | 16-30 AWG (SOLID OR STRANDED) |
| WIRE STRIP LENGTH: | 5mm (.200") |
| CONTACT RESISTANCE: | <15mΩ |
| INSULATION RESISTANCE: | >10 ⁹ Ω (500V DC) |
| OPERATING TEMPERATURE: | -40°C TO +110°C |
| MAXIMUM SCREW TORQUE: | 1.7 LBF/IN (.19Nm) |
| PCB THICKNESS: | 2.4mm (.094") |

MATERIALS

| | | | | |
|------|------|-------------|-----------------|--------|
| 4 | XX | SCREW, M1.6 | COPPER ALLOY | NICKEL |
| 3 | XX | CAGE CLAMP | COPPER ALLOY | NICKEL |
| 2 | XX | TERMINAL | COPPER ALLOY | TIN |
| 1 | 1 | INSULATOR | PA 66, UL 94V-0 | GREEN |
| ITEM | QTY. | DESCRIPTION | MATERIAL | FINISH |



| | | | | | | | | | | |
|--|-------------------------------|--|-------|--------------------|------|---|--------------|--|--|--|
| RPM-T201845669 EC NO: -- DRWN: ABENJAMI 2018/05/02 CHKD: -- APPR: BRUPERT 2018/05/08 | QUALITY SYMBOLS ▽=0 ∇=0 | GENERAL TOLERANCES (UNLESS SPECIFIED) | | DIMENSION STYLE | | SCALE | DESIGN UNITS | THIRD ANGLE PROJECTION | | |
| | | | | MM/IN | | 2:1 | INCH | | | |
| | | | | mm | INCH | DRAWN BY DATE | | TITLE | | |
| | | | | 4 PLACES ±--- | ±--- | ABENJAMI 2018/05/02 | | 2.54/.100 FIXED EURO TERMINAL BLOCK ASSY | | |
| | | 3 PLACES ±--- | ±.005 | CHECKED BY DATE | | MATERIAL NO. DOCUMENT NO. SHEET NO. | | | | |
| | | 2 PLACES ±0.13 | ±.01 | APPROVED BY DATE | | MOLEX INCORPORATED | | | | |
| | | 1 PLACE ±0.10 | ±--- | BRUPERT 2018/05/08 | | SD-39773-001 1 OF 1 | | | | |
| | | ANGULAR ±2° | | MATERIAL NO. | | THIS DRAWING CONTAINS INFORMATION THAT IS PROPRIETARY TO MOLEX INCORPORATED AND SHOULD NOT BE USED WITHOUT WRITTEN PERMISSION | | | | |
| | | DRAFT WHERE APPLICABLE MUST REMAIN WITHIN DIMENSIONS | | SEE CHART | | | | | | |
| REV | | SIZE | | B | | | | | | |