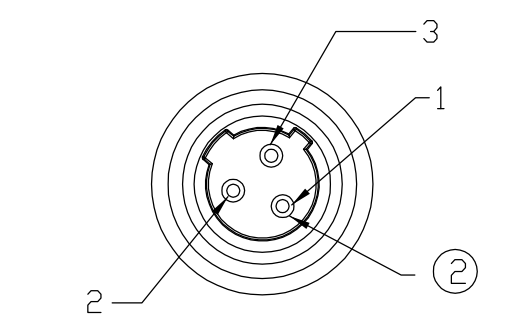
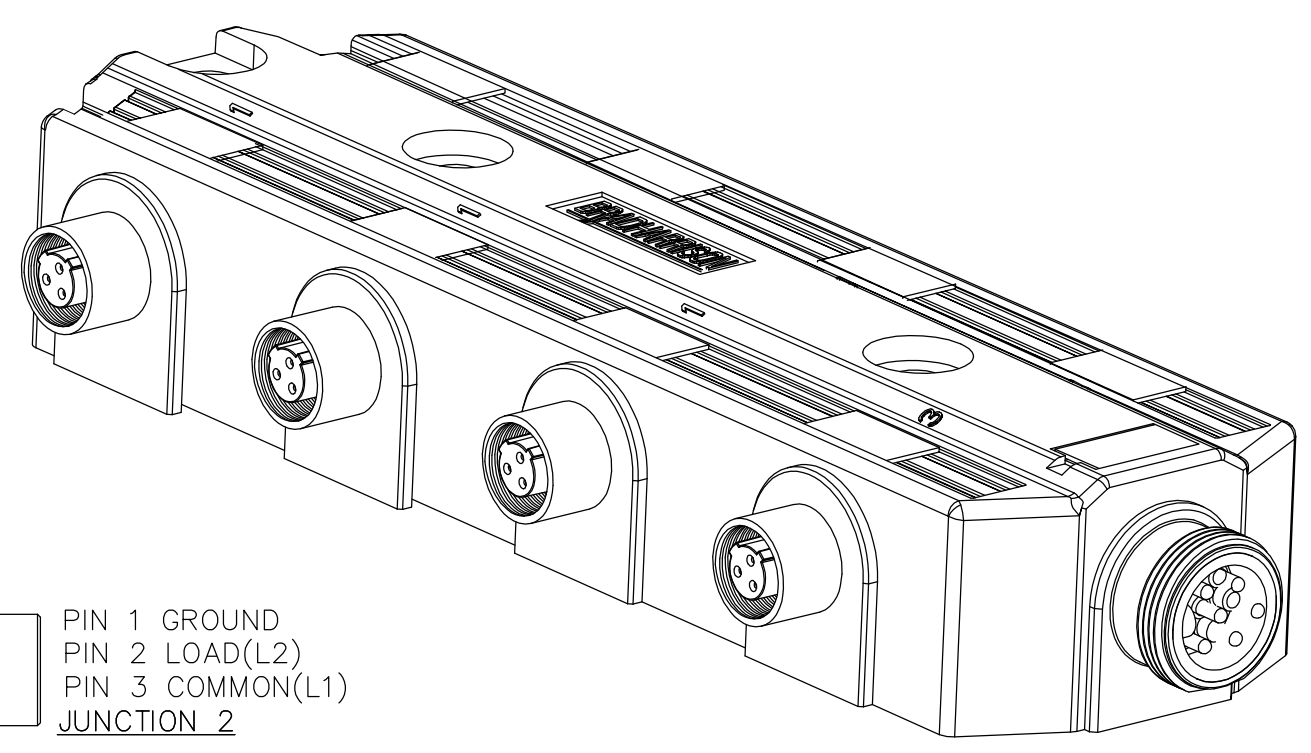
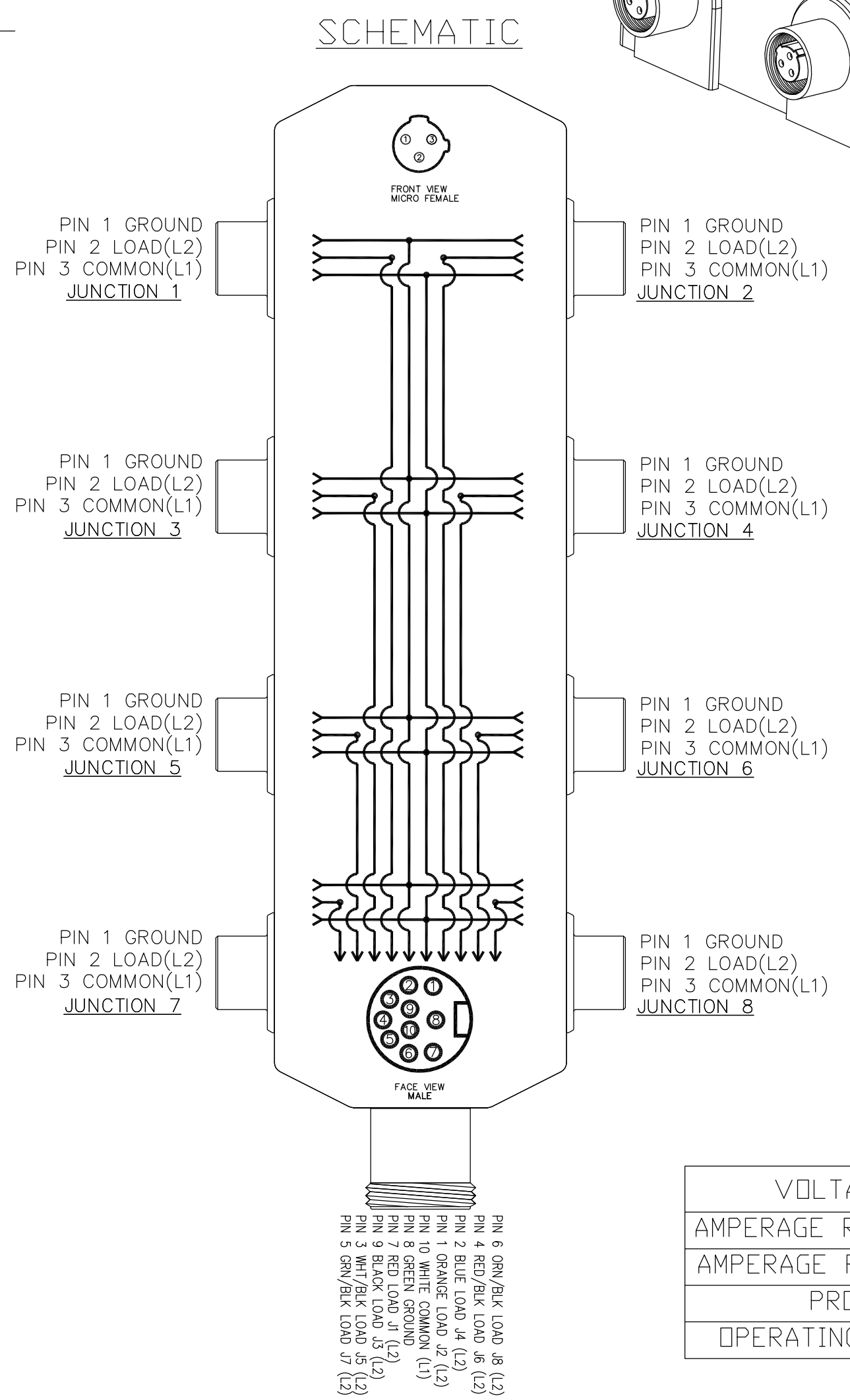
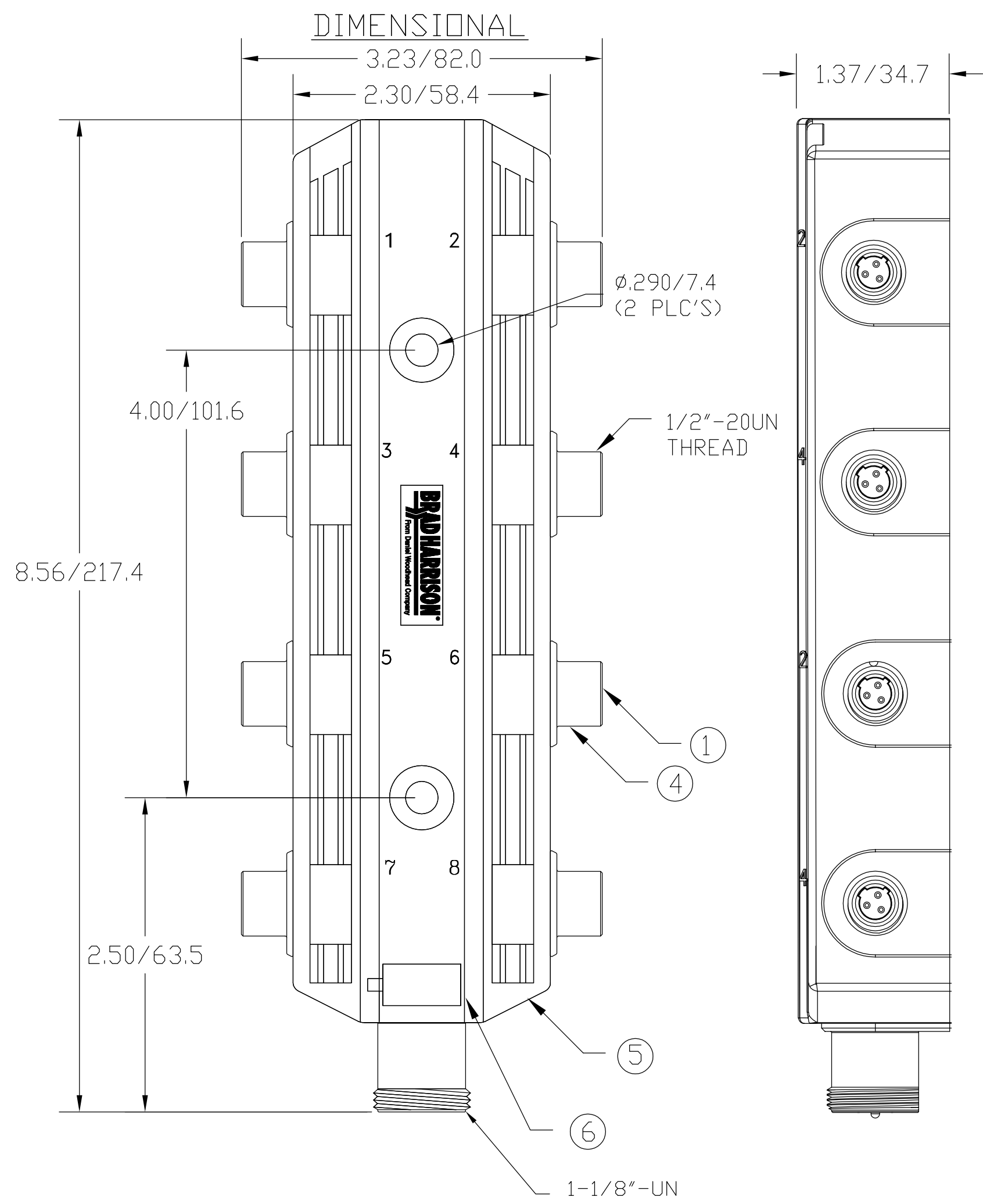
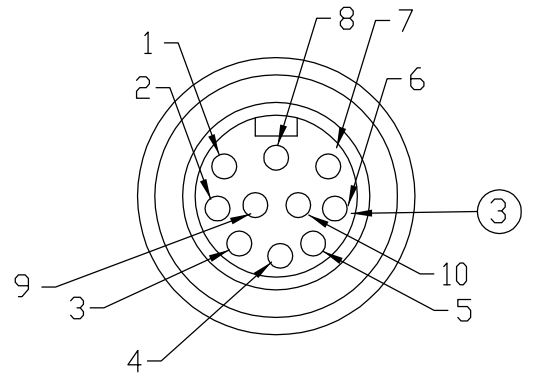


MATERIAL NUMBER	OLD PART NUMBER
120115-0022	702P801



FEMALE FACE VIEW



MALE FACE VIEW

VOLTAGE RATING	120 VAC/VDC
AMPERAGE RATING PER PORT	4 AMPS
AMPERAGE RATING PER UNIT	8 AMPS
PROTECTION	IP67
OPERATING TEMPERATURE	-25°C TO 90°C

ITEM	COMPONENT	MATERIAL	FINISH
1	INSERT	NLYON	BLACK
2	CONTACT SOCKET	COPPER ALLOY	GOLD OVER NICKEL
3	CONTACT PIN	COPPER ALLOY	GOLD OVER NICKEL
4	RECEPTACLE SHELL	ZINC DIE CAST	BLACK E-COATED
5	HOUSING	PBT	BLACK
6	LABEL	ABS	WHITE
	POTTING MATERIAL	EPOXY	BLACK

RLS D DRAWING EC NO: WNA2010-0139 DRWN: BWOODMAN 8/27/09 CH'KD: JM APPR: JFMURPHY 2009/08/31	QUALITY SYMBOL ▽=0 ◁=0	GENERAL TOLERANCES (UNLESS SPECIFIED) 4 PLACES ±--- 3 PLACES ±--- 2 PLACES ±--- 1 PLACE ±0.3	DIMENSION STYLE IN/MM	SCALE ---	DESIGN UNITS ---	THIRD ANGLE PROJECTION	
	DRAFT WHERE APPLICABLE MUST REMAIN WITHIN DIMENSIONS	DRAWN BY: BW DATE: 2009/03/26	CHECKED BY: LH DATE: 2009/03/26	APPROVED BY: JFMURPHY DATE: 2009/08/28	TITLE MICRO DUALKEY 8 PORT 3 POLE MPIS		
	MATERIAL NO. SEE CHART	DOCUMENT NO. SD-120115-005	SHEET NO. 1 OF 1	MOLEX INCORPORATED			
	THIS DRAWING CONTAINS INFORMATION THAT IS PROPRIETARY TO MOLEX INCORPORATED AND SHOULD NOT BE USED WITHOUT WRITTEN PERMISSION						