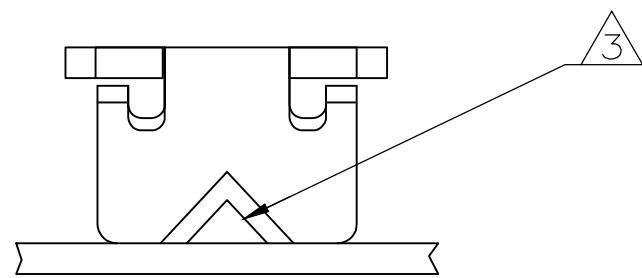
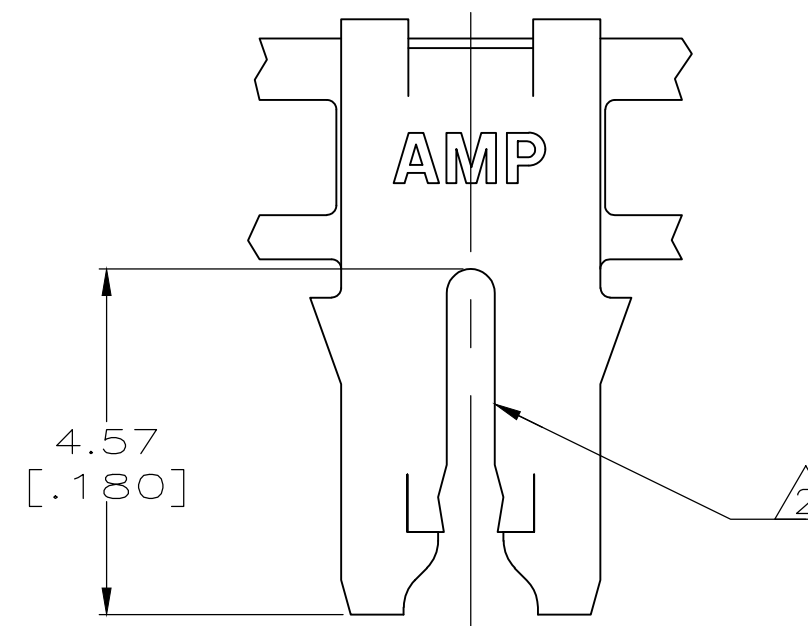
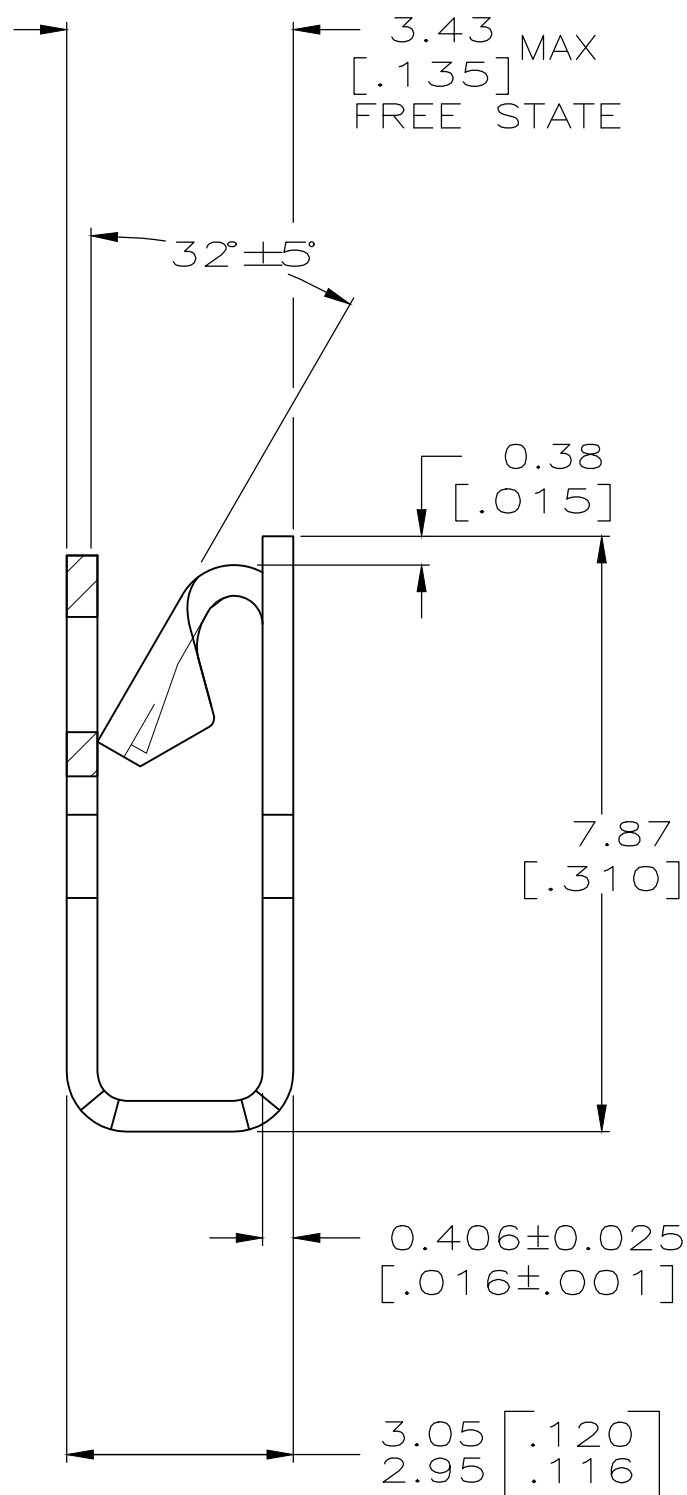
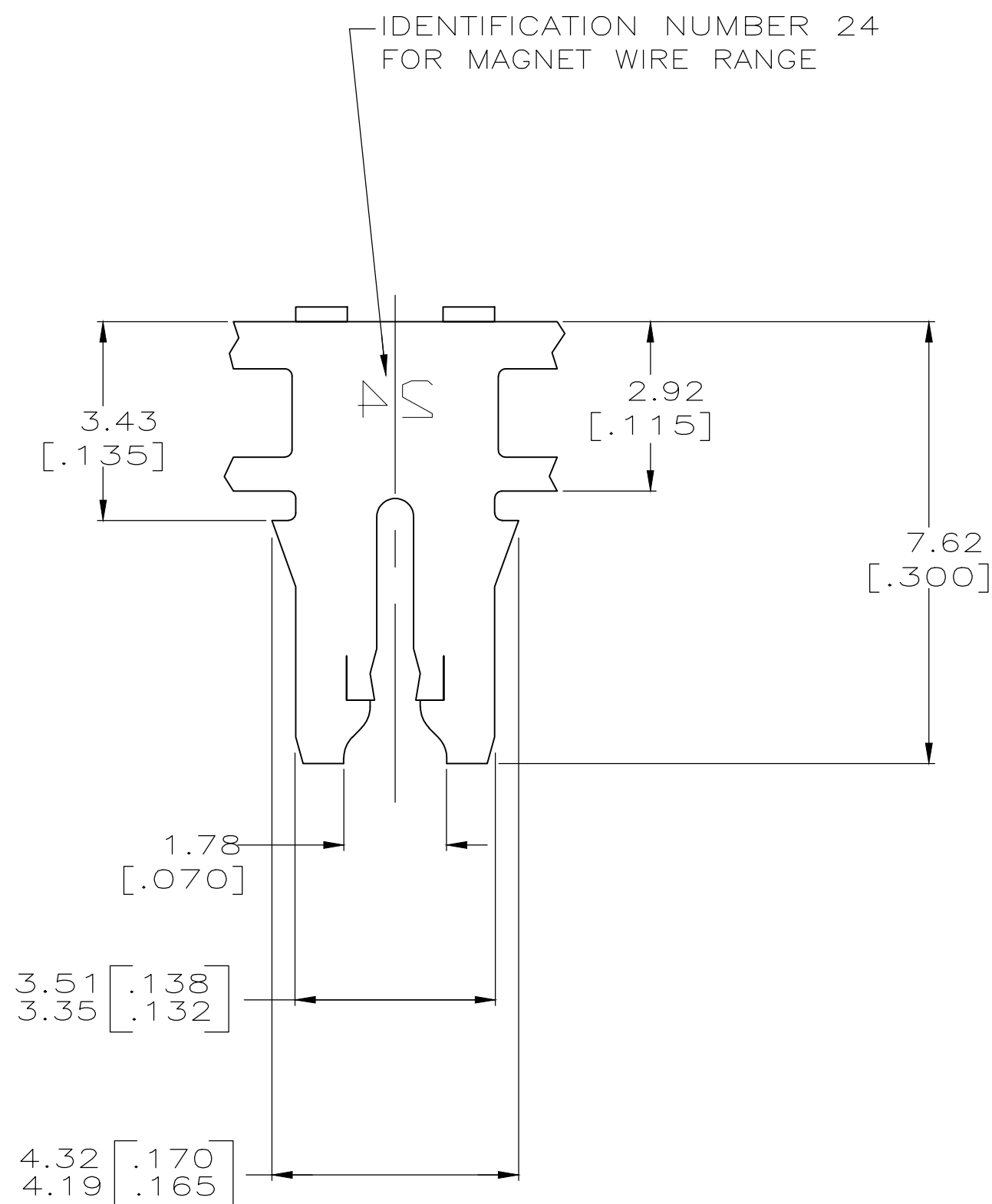


THIS DRAWING IS UNPUBLISHED. RELEASED FOR PUBLICATION  
 © COPYRIGHT - By - ALL RIGHTS RESERVED.

REVISIONS				
P	LTR	DESCRIPTION	DATE	DWN APVD
T		REVISED PER ECR-19-011896	29SEP2019	ANDY KPS



- 1 CONTINUOUS STRIP ON REELS WITH TERMINALS LOCATED ON 5.59±0.08 [.220±.003] CENTERS.
- 2 SLOT ACCEPTS 0.80-1.20mm [#20-#16.5] AWG COPPER MAGNET WIRE.  
SLOT ACCEPTS 0.95-1.20mm [#18.5-#16.5] AWG ALUMINUM MAGNET WIRE.  
ALUMINUM WIRE RANGE APPLIES FOR POST-TIN PLATED VERSIONS ONLY. A SINGLE WIRE ONLY.
- 3 POKE-IN ACCEPTS A 0.50-0.90mm<sup>2</sup> [#20-#18] AWG SOLID OR FUSED STRANDED LEAD WIRE.
- 4 TIN PLATED
- 5 PAPER SPLICED - RESTRICTED TO BSH GERMANY
- 6 SPLICE FREE
- 7 PRODUCT REELED ON PLASTIC REEL



BRASS	STANDARD	1-62833-0
CU-NI-SI	STANDARD	62833-9
BRASS	STANDARD	62833-8
BRASS	STANDARD	62833-6
PHOSPHOR BRONZE	STANDARD	62833-4
<del>PHOSPHOR BRONZE</del>	<del>REVERSED</del>	<del>62833-3</del>
BRASS	REVERSED	62833-2
BRASS	STANDARD	62833-1
MATERIAL	REELING	PART NO.

OBSOLETE

THIS DRAWING IS A CONTROLLED DOCUMENT.		DWN 1/SEP/94 R.R. BUCHEISTER JR.	<b>TE</b> TE Connectivity	
DIMENSIONS: INCHES		CHK 02SEP94 MS FEHER		
TOLERANCES UNLESS OTHERWISE SPECIFIED:		APVD 02SEP94 MS FEHER	NAME	
0 PLC ± -		PRODUCT SPEC	TERMINAL, POKE-IN, 300 SERIES MAG-MATE	
1 PLC ± -		APPLICATION SPEC	-	
2 PLC ± 0.25 [.010]		108-2012	SIZE	CAGE CODE
3 PLC ± -		114-2046	A2	00779
4 PLC ± -		WEIGHT	DRAWING NO	
ANGLES ± -		0	C-62833	
FINISH		CUSTOMER DRAWING		RESTRICTED TO
SEE TABLE		SCALE 10:1		SHEET 1 OF 1
4		REV T		