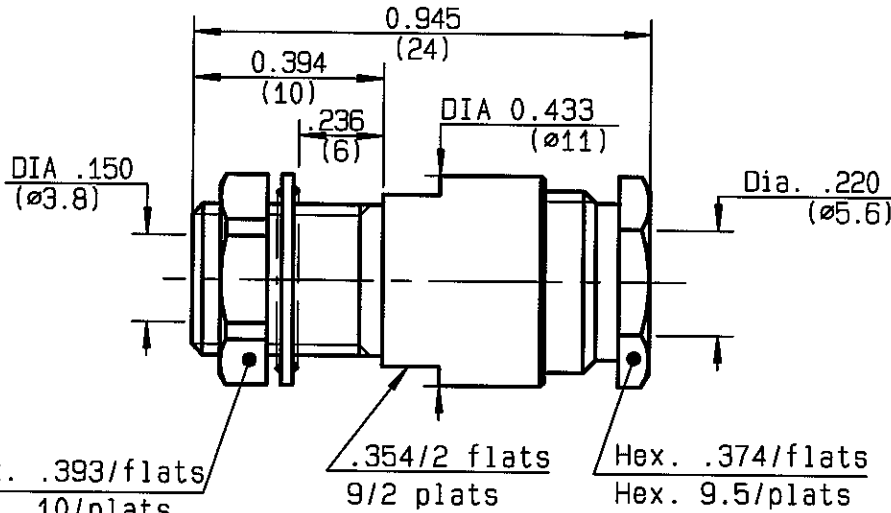


**BULKHEAD DIELECTRIC FEEDTHROUGHS
CABLE 5/50**

R280.257.000
SERIES ACC. COAX



PERCAGE PANNEAU
MOUNTING HOLE

| | MM | | INCH | |
|---|------|------|-------|-------|
| | maxi | mini | maxi | mini |
| A | 8.1 | 8 | 0.319 | 0.315 |

| | |
|---------------------------------|-----------------------------------|
| NOMINAL IMPEDANCE | 50 Ω |
| FREQUENCY RANGE | NA GHz |
| TEMPERATURE RATING | -65/+165 °C |
| V.S.W.R | NA + 0 x F(GHz)Maxi |
| RF INSERTION LOSS | NA √F(GHz) dB Maxi |
| VOLTAGE RATING | NA Veff Maxi |
| DIELECTRIC WITHSTANDING VOLTAGE | NA Veff Mini |
| INSULATION RESISTANCE | NA M ΩMini |
| HERMETIC SEAL | NA Atm.cm ³ /s |
| LEAKAGE (pressurized only) | NA |
| MECHANICAL DURABILITY | Cycles |
| WEIGHT | gr |
| SPECIFICATION | |

CABLES :

OTHERS CHARACTERISTICS

| | | |
|----------------------------|------------|-----------|
| CABLE RETENTION | 340 | N Mini |
| CENTER CONTACT RETENTION | | |
| Axial force - mating end | NA | N Mini |
| Axial force - opposite end | NA | N Mini |
| Torque | NA | cm.N Mini |
| RECOMMENDED TORQUES | | |
| Mating | NA | cm.N |
| Panel nut | 170 | cm.N |
| Clamp nut | 150 | cm.N |

| CONNECTOR PARTS | MATERIALS | FINISH | (all values are given) in micrometers |
|-----------------|-----------------|----------|---|
| BODY | BRASS | NICKEL 2 | |
| OUTER CONTACT | | | |
| CENTER CONTACT | | | |
| INSULATOR | | | |
| GASKET | SILICONE RUBBER | | |
| OTHERS PIECES | | | |

| | | |
|-----------------------|-----------------------------------|------------------|
| ISSUE 9734L | CREATION DATE 16-OCT-70 | FILE PART-NUMBER |
|-----------------------|-----------------------------------|------------------|



Connect to the future

The information given here is subject to change without notice.
Design changes may be in order to improve the product .

COLBEAU