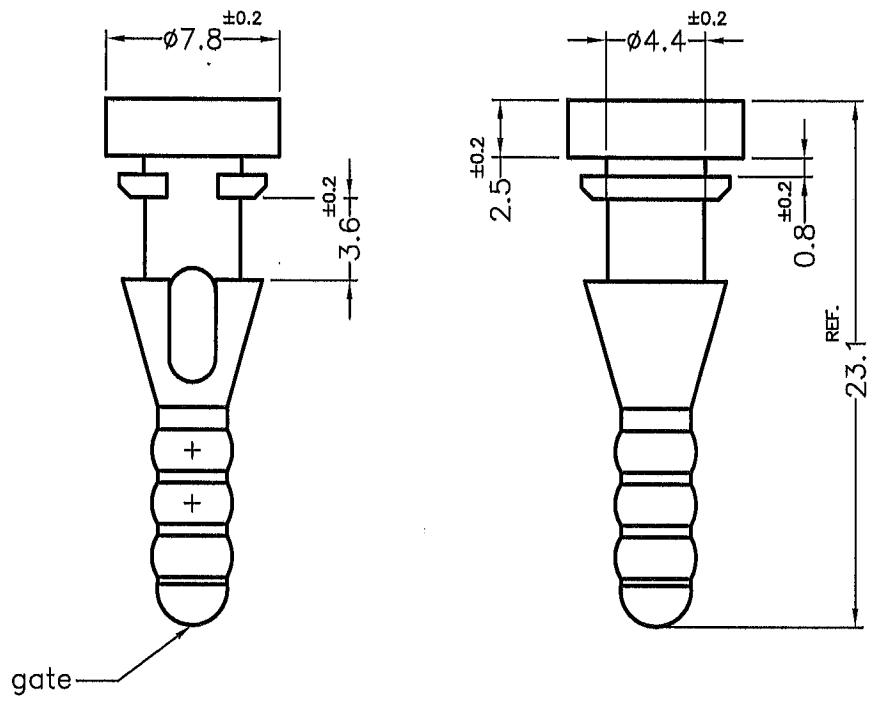


REVISIONS			
REV	DESCRIPTION	DATE	BY



FANS MOUNTING HOLE $\phi 4.4$ mm
 CHASSIS MOUNTING HOLE $\phi 4.5 \sim \phi 4.6$ mm

NOTE: MADE OF EQUIVALENT MATERIAL.
 均可使用同等材質。

<p>康揚企業股份有限公司 KANG YANG HARDWARE ENTERPRISE CO., LTD. 康揚塑膠(東莞)有限公司 KANG YANG PLASTIC(DONG GUAN) CO., LTD. 康哲電腦配件(吳江)有限公司 KANG CHE COMPUTER COMPONENTS(WUJIANG) CO., LTD.</p>				TITLE	FAN SNAP RIVET	SPEC. DWG.	
				MATERIAL	TPE	DATE	2013.10.21
				HARDNESS		DRAWN	Y.C.P
				COLOR	BLACK	CHECK	
PART NUMBER	BUB-158G	DRAWING NUMBER	BUB-158	UNLESS OTHERWISE SPECIFIED TOLERANCE	SEE ABOVE	APPROVED	
SIZE	A4	SCALE	3:1	UNIT	mm	REV	A