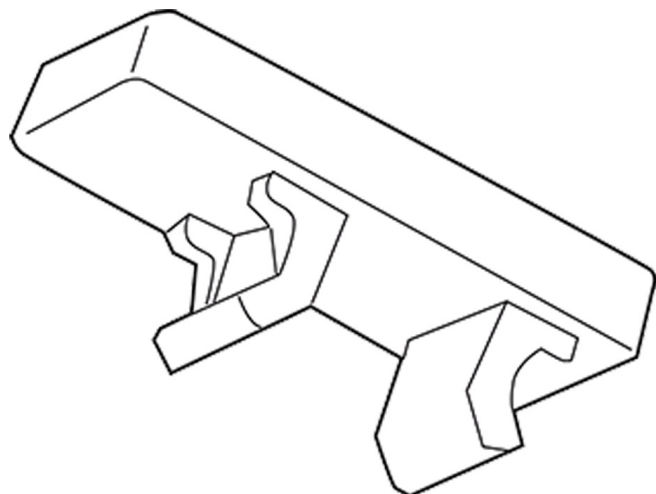


28245.8 PC-CPM-02 E 5X10/48 YE



Terminal marker, Length: 10 mm, Width: 5 mm, Colour: Yellow

RAL: 1026

Business data

Article number	<u>28245.8</u>
Article name	PC-CPM-02 E 5X10/48 YE
GTIN (EAN)	4044211211646
For manufacturer type	Weidmüller WDK & WDU, Allen-Bradley, Klemsan, ABB, Wago, Woertz
Packaging unit	1680
Quantity unit	PC
Number of markers per card	48 ST
Weight per piece (not including packaging)	0.26 g
Weight per piece (including packaging)	0.26 g
Unit of weight	G
Customs number	39269097
Country of origin	IT
Prio-Article	28245.7
Product description	Terminal marker

Technical data

Dimensions

Length	10 mm
Width	5 mm

Materials

Marker material	Polycarbonate
Flammability class UL 94	V-0
Working temperature, min.	-40 °C
Working temperature, max.	130 °C
Halogen-free	✓
Silicone-free	✓

Further technical data

Mounting	Individually
Software code	22

Environmental Product Compliance

REACH Conform	yes
REACH Candidate Substance Note	No
RoHS Conform	yes

Media

Accessories

Printer



Thermal transfer printer TTPCard including a power cord, USB cable, dust cover, black thermal transfer film (28010.4), three inlays: CCI-PC-SB 5x5 (28020.0), CCI-PC-CPM-10/BSTR (28027.0), CCI-PC/PVC/PVCF (28041.0), CONTASign PRO software in 16 languages (German, English, French, Italian, Dutch, Spanish, Portuguese, Czech, Polish, Bulgarian, Romanian, Slovenian, Turkish, Chinese, Japanese, Russian) for Windows versions 7, 8, 10. (available for download)

Article number	Article name	GTIN (EAN)	Packaging unit
<u>28000.0</u>	TTPCard Set	4044211207397	1 ST

Inlays

Printer inlay

Article number	Article name	GTIN (EAN)	Packaging unit
<u>28042.0</u>	CCI-PC-CPM/SPM	4044211208103	1 ST