

6

5

4

3

2

1

MATERIAL AND FINISH:

Housing & Back Cover: PA66, UL-94V-0, color black

Contacts (Line & Ground): Brass

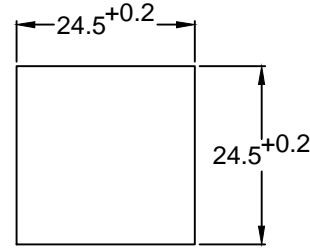
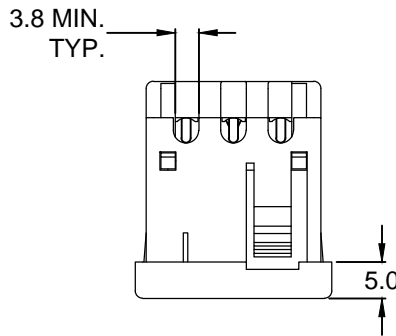
Contacts (Neutral): Brass, Nickel plated

ELECTRICAL SPECIFICATIONS:

Rated current & voltage: 20A 125VAC

APPROVALS:  us

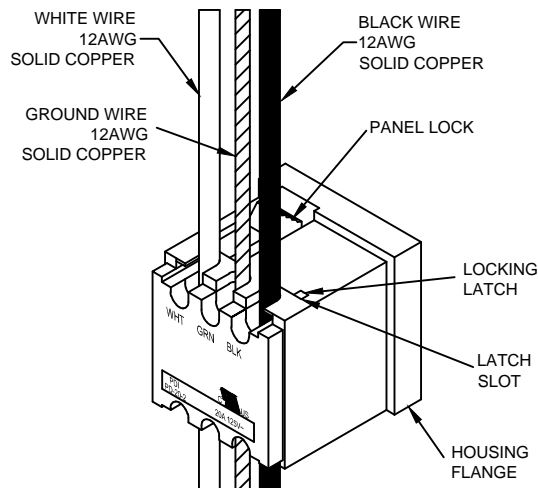
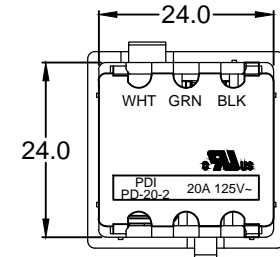
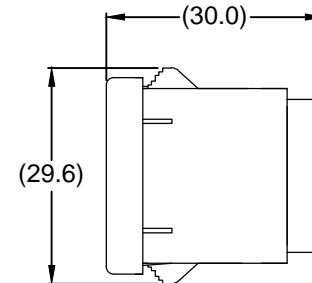
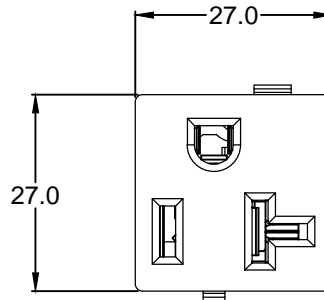
RoHS
COMPLIANT



RECOMMENDED
PANEL CUTOUT
(THICKNESS: 1.0mm~2.0mm)

NOTES:

1. For use with 12AWG solid copper wire only.
2. Part shipped unassembled.



TOLERANCE UNLESS OTHERWISE SPECIFIED	
X	± 1
X.X	± 0.4
X.XX	± 0.20
DRAWN BY	DT
DATE:	6/25/02
CHECK BY	PB
DATE:	6/25/02
APPR BY	
DATE:	

Power Dynamics, Inc.
 Phone: 973 560-0019 Whippany, New Jersey Fax: 973 560-0076

PART: NEMA 5-15R / 5-20R; IDC TYPE
 SNAP IN PANEL MOUNT RECEPTACLE

PD-20-2

SIZE: A
 SCALE: NTS

ALL DIMENSIONS FOR REFERENCE ONLY
 DIMENSIONS ARE IN MILLIMETERS

SHEET 1 of 1
 REV: B

REVISIONS	CHANGE	CHNG	CHK	APPR
	DATE	BY	DATE	BY
	A	3/19/09	UPDATED	PB
	B	3/29/12	ADD 3.8 CHANNEL DIM.	PB

6

5

4

3

2

1