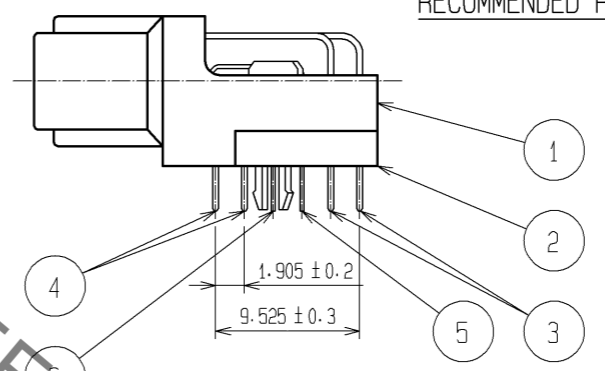
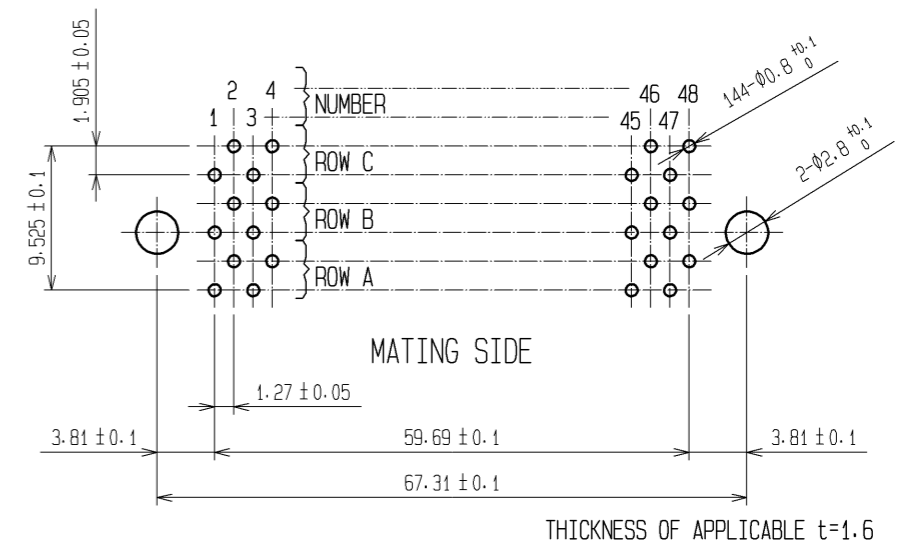
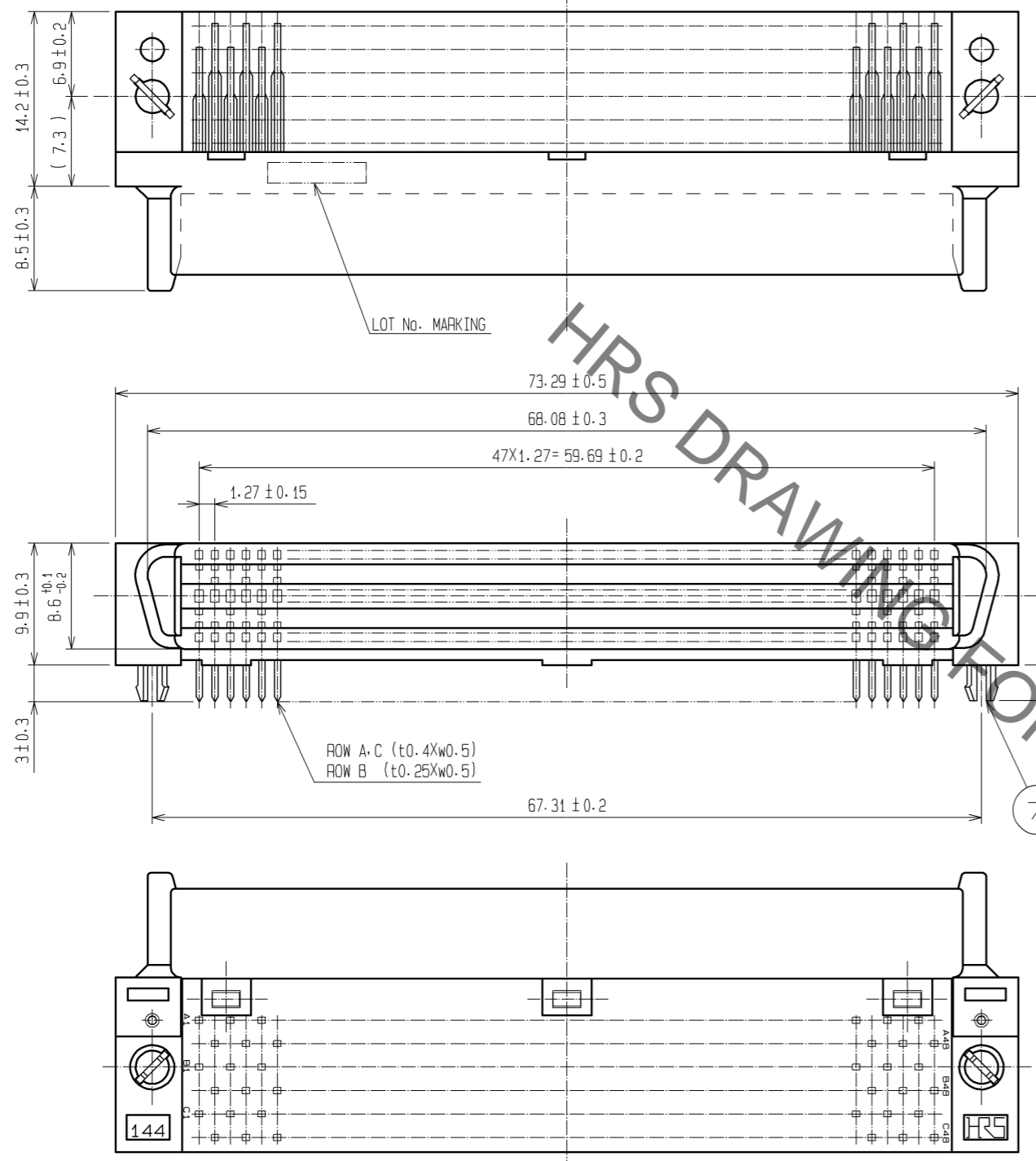


Apr.1.2023 Copyright 2023 HIROSE ELECTRIC CO., LTD. All Rights Reserved.
In case of consideration for using Automotive equipment / device which demand high reliability, kindly contact our sales window correspondents.



NOTE THE DIMENSIONS IN PARENTHESES ARE FOR REFERENCE.

NO.	MATERIAL	FINISH	REMARKS	NO.	MATERIAL	FINISH	REMARKS
7	PHOSPHOR BRONZE	TIN-PLATING		3~6	PHOSPHOR BRONZE		CONTACT AREA:GOLD 0.2µm min.
2	PBT	BLACK	UL94V-0				DIP AREA:TIN-PLATING 2µm min.
1	PPS	BLACK	UL94V-0				UNDER PLATING:NICKEL 2.5µm min.

UNITS	SCALE	COUNT	DESCRIPTION OF REVISIONS	DESIGNED	CHECKED	DATE
mm	2 : 1	△				
APPROVED : HS. OKAWA			09.03.16	DRAWING NO. EDC3-081605-21		
CHECKED : HT. YAMAGUCHI			09.03.16	PART NO. FX1-144S-1.27DSL(71)		
DESIGNED : SY. KAMIGA			09.03.16	CODE NO. CL571-0053-5-71		
DRAWN : HK. SUNADORI			09.03.16	△ 1/1		