



specifications

Consumption	Lumen Output	Efficacy	Voltage	CRI	Lens	Heat Sink	L70 hours	Ambient Temp (F)	Power Factor	UL listing	THC
1.4 W	148	133 lm / W	12 V 	> 80	n/a	aluminum	50,000	-40° - 113°	> 0.9	IP40	< 20%

select your lamp

Part Number	Color Temp	Base
GI-G4C-W105-12	3000K	G4

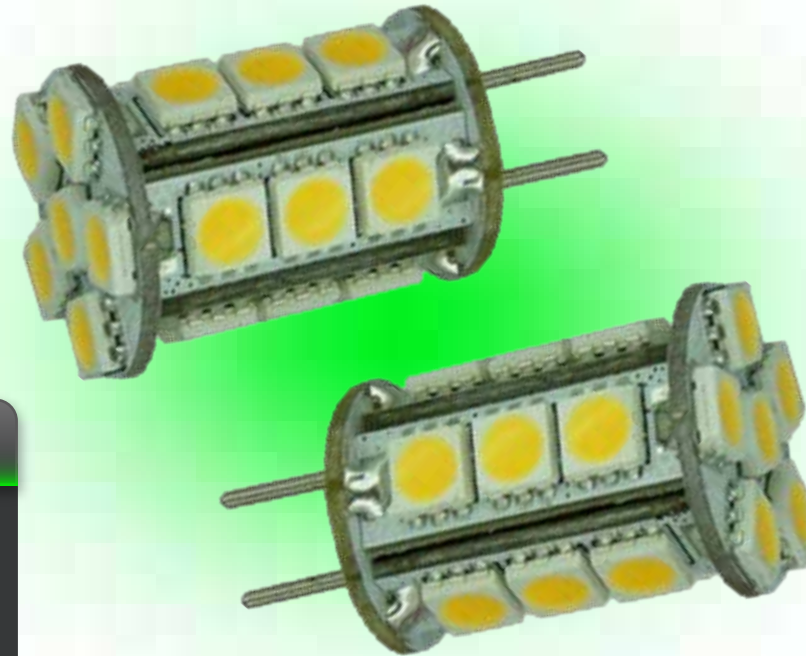
other

Dimensions	Warranty	Gross Weight	Case QTY
1.35" x 0.52"	6 years	0.71 ounces	1 pcs

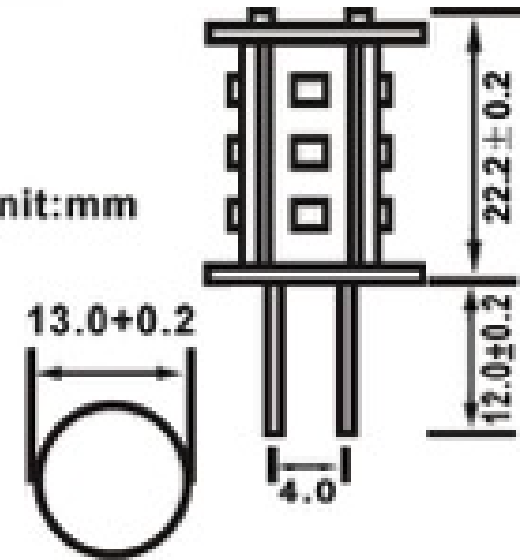


Features

- > No UV or IR radiation
- > 50,000 hour LED lifespan based on IES LM-80 results and TM-21 calculations
- > 90% energy savings compared to halogen lamps



Unit:mm



Not all product variations listed on this page may be DLC qualified. Visit www.designlights.org/search to confirm qualification.

