

## STANDARD COMPONENTS

- **MSR.60-B base:** glass-fibre reinforced polyamide based (PA) technopolymer, black colour, matte finish.

- **CC-MSR.60 screw covers:** polyester based (PBT) technopolymer in six colours, glossy finish press-fit assembly. Supplied, removable by a screwdriver.

Available also as accessory sold separately (see table).

- **MSR.60-C Two-way clamp:** glass-fibre reinforced polyamide based (PA) technopolymer, black colour, matte finish.

- **MSR.60-TA-TB-TC-TD-TE-TF device clamps:** glass-fibre reinforced polyamide based (PA) technopolymer.

- **MSR.60-T13 connecting tubes:** aluminium profile available with standard lengths from 100 to 2000 mm.

On request and for sufficient quantities other lengths are available.

- **TC13-MSR.60 connecting tube closing caps:** glass-fibre reinforced polyamide based (PA) technopolymer, black colour, matte finish, push-fit assembly. Supplied.

Available also as accessory sold separately (see table).

## FEATURES AND APPLICATIONS

MSR. connecting clamps, designed according to ELESA patent, allow an easy and efficient connection between the components, preventing the risk of rotating freely.

The system allows the axial, perpendicular or angled positioning of the connecting tube to the base.

## ADVANTAGES

- The slot-shaped connecting tube prevents free rotation.
- Tube and components clamped by the aid of only one screw.
- Easy adjustments by five degrees of freedom of the clamped devices (see drawing).
- Lack of cavities to avoid the deposit of dirt and undesired substances.
- Easy identification of the clamped device using different coloured caps on the base.

## ACCESSORIES ON REQUEST

- CC-MSR.60: screw-covers in polyester based technopolymer (PBT) in six colours, glossy finish, press-fit assembly (see table).

- TC13-MSR.60: glass-fibre reinforced polyamide based (PA) technopolymer connecting tube closing caps, black colour, matte finish, press-fit assembly (see table).

	<b>C1</b>		<b>C2</b>		<b>C3</b>		<b>C4</b>		<b>C5</b>		<b>C6</b>
	RAL7021		RAL2004		RAL7035		RAL1021		RAL5024		RAL3000

## TC13-MSR.60

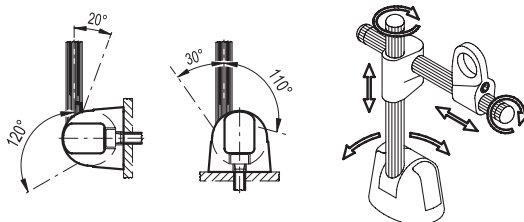
Code	Description	Closing caps for
440016	TC13-MSR.60	MSR.60-T13

## CC-MSR.60

Code	Description	Screw-covers for
440011-*	CC-MSR.60-*	MSR.60-B

\* Complete with colour index (C1, ..., C6).

5 degrees of freedom

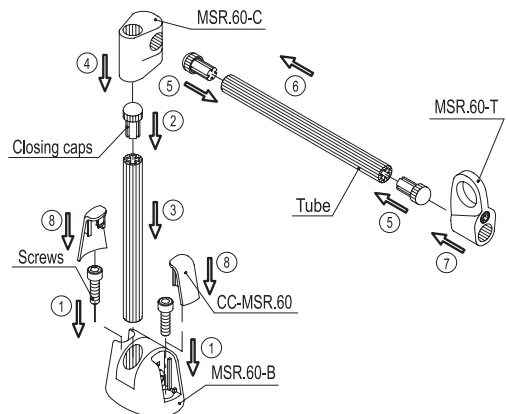


FAMdesign

## ASSEMBLY INSTRUCTIONS

1. Assemble the base by means of 2 M6 cylindrical head screws with hexagon socket (not supplied).
2. Fit one of the closing caps to the end of the connecting tube by tapping gently with a plastic mallet until firmly in place. Be careful not to assemble the cap to the end fitted to the base.
3. Insert the connecting tube in the shaped hole of the base and clamp it by screwing the set screw. Suggested tightening torque 5 Nm.
4. Insert the connecting tube in the shaped hole of the two-way clamp.
5. Fit the closing caps to the connecting tube.
6. Insert the connecting tube in the shaped hole of the two-way clamp.
7. Fit on the connecting tube the proper device clamp, chosen within the six available. After the positioning of the components, clamp them by screwing the set screws. Suggested tightening torque 3 Nm. We recommend not to exceed this value.
8. Once the adjustment has been set, fit the screw covers on the base.

## Assembly instructions



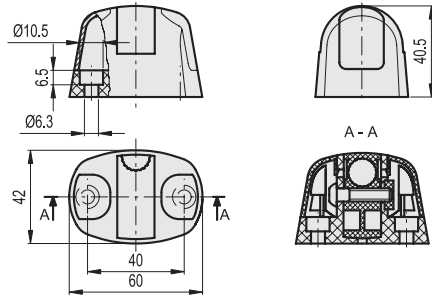


\* Complete with colour index, example: 440001-C9 MSR.60-B-C9

C9
C2
C3
C4
C5
C6  
 RAL9005 RAL2004 RAL7035 RAL1021 RAL5024 RAL3000

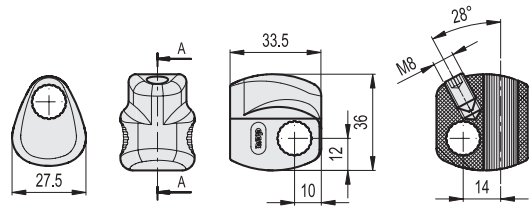
**MSR.60-B**

Code	Description	Pull out resistance [N]	⚖️
440001-*	MSR.60-B-*	300	50



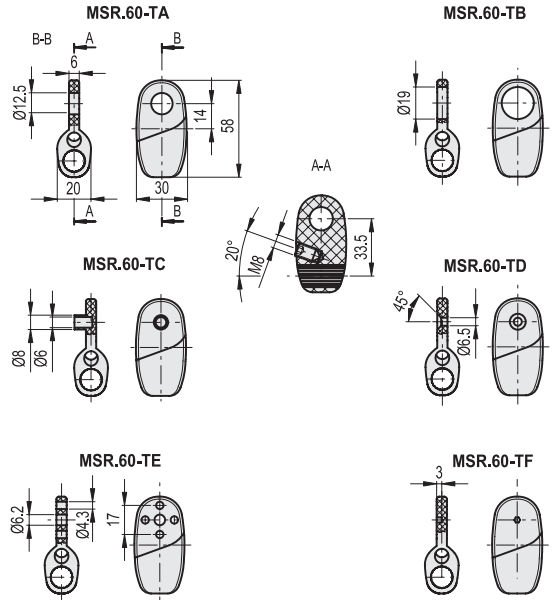
**MSR.60-C**

Code	Description	Pull out resistance [N]	⚖️
440021	MSR.60-C	300	19



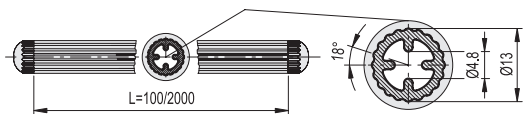
**MSR.60-TA-TB-TC-TD-TE-TF**

Code	Description	Pull out resistance [N]	⚖️
440031	MSR.60-TA	300	18
440032	MSR.60-TB	300	17
440033	MSR.60-TC	300	19
440034	MSR.60-TD	300	18
440035	MSR.60-TE	300	18
440036	MSR.60-TF	300	20



**MSR.60-T13**

Code	Description	⚖️
440050	MSR.60-T13-100	20
440055	MSR.60-T13-150	28
440060	MSR.60-T13-200	36
440065	MSR.60-T13-250	44
440070	MSR.60-T13-300	52
440200	MSR.60-T13-2000*	320



\* Supplied without closing caps.

