

NOTES:

1) MATERIALS:

HOUSING: GLASS FILLED LCP (LIQUID CRYSTAL POLYMER),
UL 94V-0, COLOR: BLACK.
TAIL ALIGNER: GLASS FILLED LCP (LIQUID CRYSTAL POLYMER),
UL 94V-0, COLOR: BLACK.
MOLDED STICK: LCP 30% GLASS FILLED, 94V-0, BLACK.
FEMALE CONTACT: BERYLLIUM COPPER .0100±.0005 THICK.
OUTER SHELL: LOW CARBON STEEL.
THREADED INSERT: BRASS.

2) PLATING :

TERMINAL: .000030/(0.00076) MINIMUM GOLD IN SELECTIVE AREA;
.000100/(0.00254) MINIMUM TIN IN SELECTIVE AREA;
OVER NICKEL UNDERPLATE OVERALL.

OUTER SHELL: .000150/(0.00381) MINIMUM TIN OVER
.000050/(0.00127) MINIMUM NICKEL OVER
COPPER FLASH (OPTIONAL).

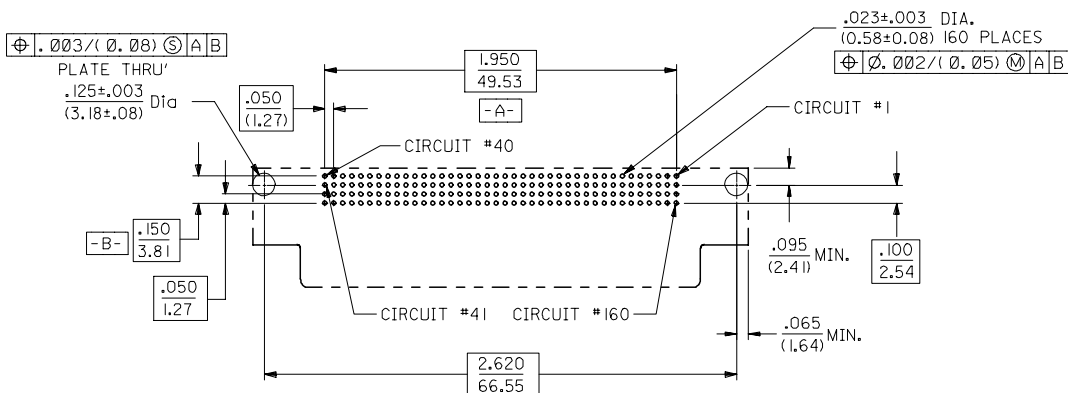
3) THIS PART CONFORMS TO MOLEX PRODUCT SPECIFICATION PS-71626.

4) PACKAGING SPECIFICATION PK-70873-0229 APPLIES.

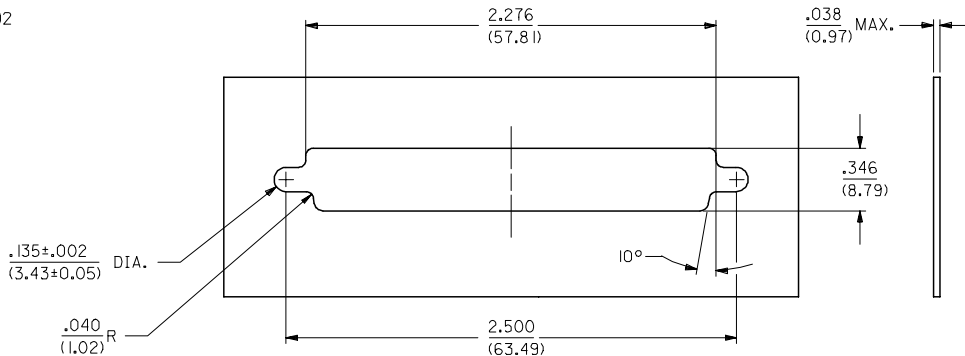
5) PART COMPLIES WITH CLASS B OF COSMETIC SPECIFICATION PS-45499-002

NOTE FOR LEAD FREE CONVERSION:

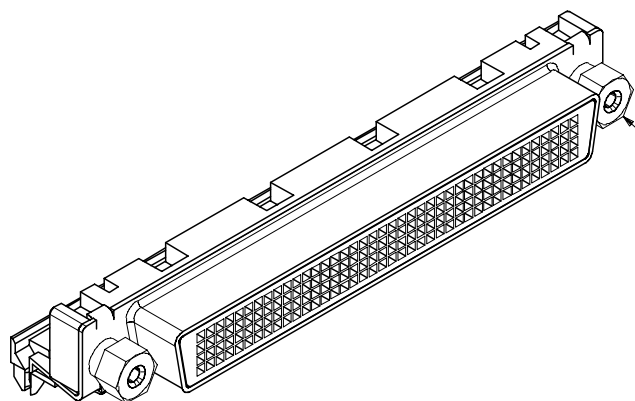
THE PRIMARY SHIPPING CARTON WILL BE
LABELED 'COMPLIANT TO RoHS DIRECTIVE
2002/95/EC AND ELV ANNEX II OF
DIRECTIVE 2000/53/EC'. CARTONS
WITHOUT THIS LABEL MAY CONTAIN
PRODUCT WITH LEAD.



RECOMMENDED PC BOARD LAYOUT
COMPONENT SIDE



PANEL CUT-OUT DIMENSIONS
ALL TOLERANCES ±.003/(0.08)
UNLESS OTHERWISE STATED.



FOR OPTIONAL HARDWARE DETAILS
SEE SDA-71629-*****

ADD NOTE 5 FC NO: UCP2006-3051 DRAWN BY: BARRA 2006/07/10 CHKD: MORGAN 2006/07/10 APPR: MILLER 2006/07/11	DESCRIPTION	QUALITY SYMBOLS	GENERAL TOLERANCES (UNLESS SPECIFIED)	DIMENSION STYLE		SCALE 2:1	DESIGN UNITS INCH	THIRD ANGLE PROJECTION
		$\nabla=0$ $\nabla=0$		mm	INCH			
			4 PLACES ± --- ± ---	DRAWN BY	DATE	TITLE		
			3 PLACES ± --- ± .010	SCHMIDGALL	1993/07/20	.050 PITCH LFH 160 CKT		
			2 PLACES ± 0.25 ± ---	CHECKED BY	DATE	RIGHT ANGLE I/O FEMALE		
			1 PLACE ± --- ± ---	MOS	1993/07/20	SALES ASSEMBLY		
			ANGULAR ±1/2°	APPROVED BY	DATE	MOLEX INCORPORATED		
				BIXLER	1993/07/20	DOCUMENT NO. SDA-71626-200*		
				MATERIAL NO.		SHEET NO.		
			DRAFT WHERE APPLICABLE MUST REMAIN WITHIN DIMENSIONS	SEE TABLE		2 OF 2		
				THIS DRAWING CONTAINS INFORMATION THAT IS PROPRIETARY TO MOLEX INCORPORATED AND SHOULD NOT BE USED WITHOUT WRITTEN PERMISSION				