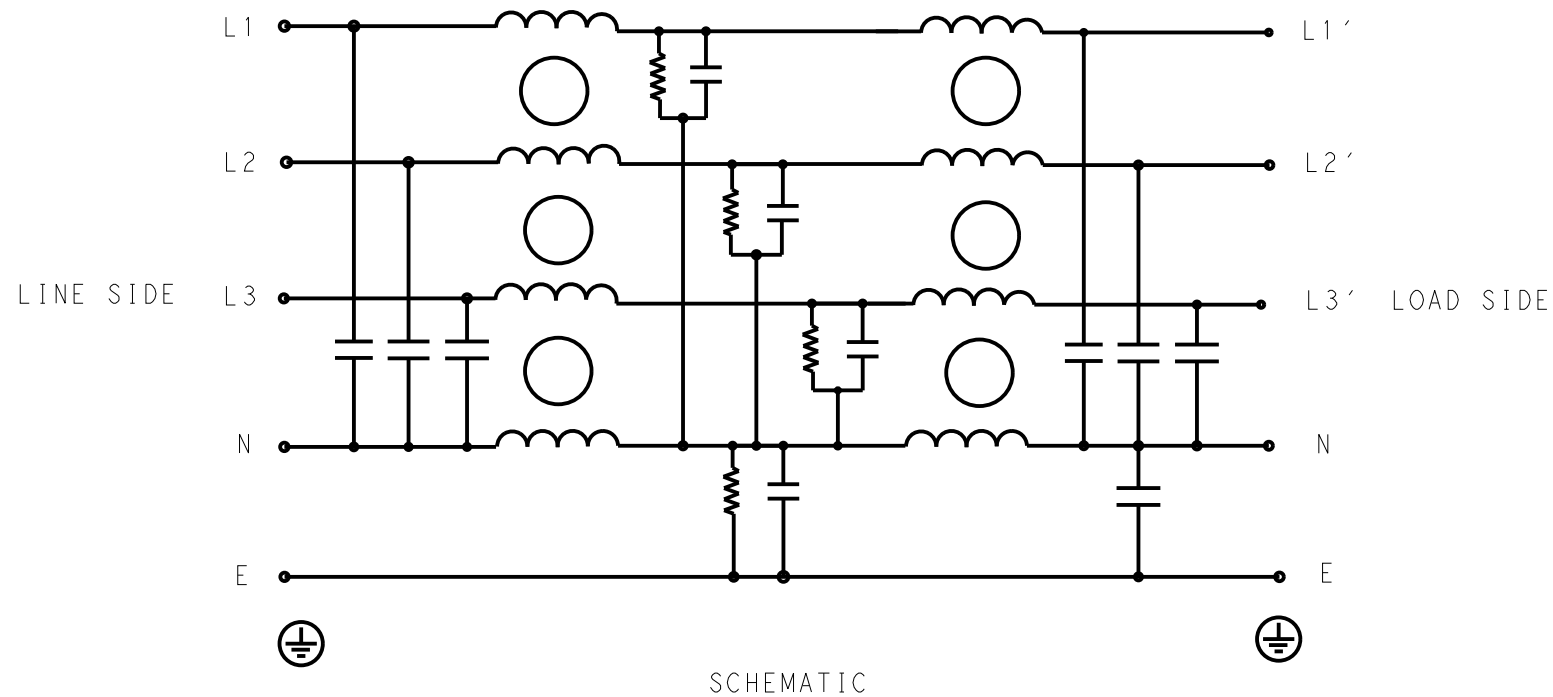


P	LTR	DESCRIPTION	DATE	DWN	APVD
	A	INITIAL RELEASE	21APR2021	SR	CB



SAFETY ORGANIZATIONS

THIS FILTER WILL BE FORMALLY RECOGNIZED, CERTIFIED OR APPROVED BY THE LISTED AGENCY. THEREFORE, ALL TEST/REQUIREMENTS SPECIFIED IN THE LATEST REVISION OF THE FOLLOWING AGENCY STANDARDS WILL BE MET:

UL APPROVED 75A 520V 50Hz/60Hz 50°C  
 CSA APPROVED 75A 520V 50Hz/60Hz 50°C

OPERATING SPECIFICATION

LINE CURRENT/VOLTAGE: 75A, 520VAC  
 LINE FREQUENCY: 50/60Hz

MAXIMUM LEAKAGE CURRENT: 11mA @ 230VAC, 50Hz

OPERATING AMBIENT TEMPERATURE RANGE @ RATED CURRENT: -10°C TO +50°C

IN AN AMBIENT  $T_a$ , HIGHER THAN 50°C, THE MAXIMUM OPERATING CURRENT,  $I_o$ , IS AS FOLLOWS:

$$I_o = I_r \sqrt{\frac{105 - T_a}{55}}$$

RELIABILITY SPECIFICATIONS

STORAGE TEMPERATURE: -40°C TO +85°C  
 HUMIDITY: 21 DAYS @ 40°C AND 95% RH

TEST SPECIFICATIONS

INDUCTANCE, NOMINAL: 0.7mH

CAPACITANCE @ 1kHz

NEUTRAL TO GROUND, NOMINAL: 2.2µF  
 LINE TO NEUTRAL, NOMINAL: 6.6µF

DISCHARGE RESISTOR

L/L I.R. 2MΩ 2W  
 L/N I.R. 1.5MΩ 2W  
 L/G I.R. 2MΩ 2W  
 N/G I.R. 680KΩ 2W  
 IR (NO DISCHARGE RESISTOR) 20°C, 50% RH AND 100VDC, MIN: 6MΩ

RECOMMENDED RECEIVING INSPECITON HIPOT

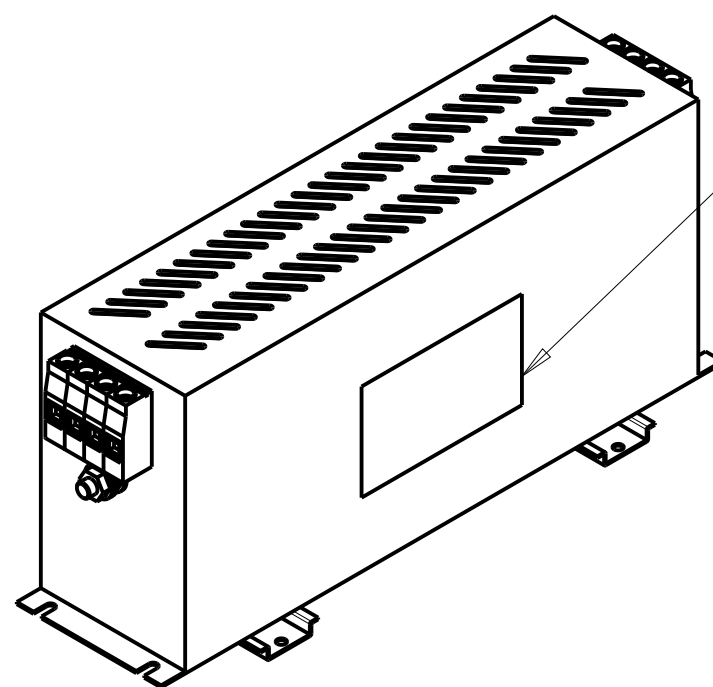
LINE TO GROUND FOR 1 MINUTE: 2856VDC  
 LINE TO LINE FOR 1 MINUTE: 2236VDC  
 LINE TO NEUTRAL FOR 1 MINUTE: 1290VDC

FILTER APPROVAL

THE BEST WAY TO SELECT AND QUALIFY A FILTER IS FOR YOUR ENGINEERING TO TEST THE UNIT IN YOUR EQUIPMENT.

TYPICAL INSERTION LOSS  
 COMMON MODE 50/50Ω; DIFFERENTIAL MODE 50/50Ω

MHz	0.01	0.05	0.15	0.5	1	3	5	10	30
CM	42	40	28	32	35	51	50	46	21
DM	40	38	25	21	34	46	48	30	24



LABEL TO TE MARKING SPECIFICATION

THIS DRAWING IS A CONTROLLED DOCUMENT.		DWN SUPREETH R 21APR2021		
		CHK CHRIS BOLLE 21APR2021		
DIMENSIONS: mm		APVD CHRIS BOLLE 21APR2021	NAME POWER LINE FILTER FOR DIN 35 RAIL INSTALLATION 75KEVD10BBSWHM	
TOLERANCES UNLESS OTHERWISE SPECIFIED:		PRODUCT SPEC -	RESTRICTED TO -	
0 PLC ±0.5		APPLICATION SPEC -	SIZE A3	CAGE CODE 00779
1 PLC ±0.40		WEIGHT -	DRAWING NO C-6-1609998-8	
2 PLC ±0.130				
3 PLC ±0.0500				
4 PLC ±				
ANGLES ±				
MATERIAL -	FINISH -	CUSTOMER DRAWING	SCALE 3:10	SHEET 1 OF 2
				REV A

© 2021 TE Connectivity. All Rights Reserved.

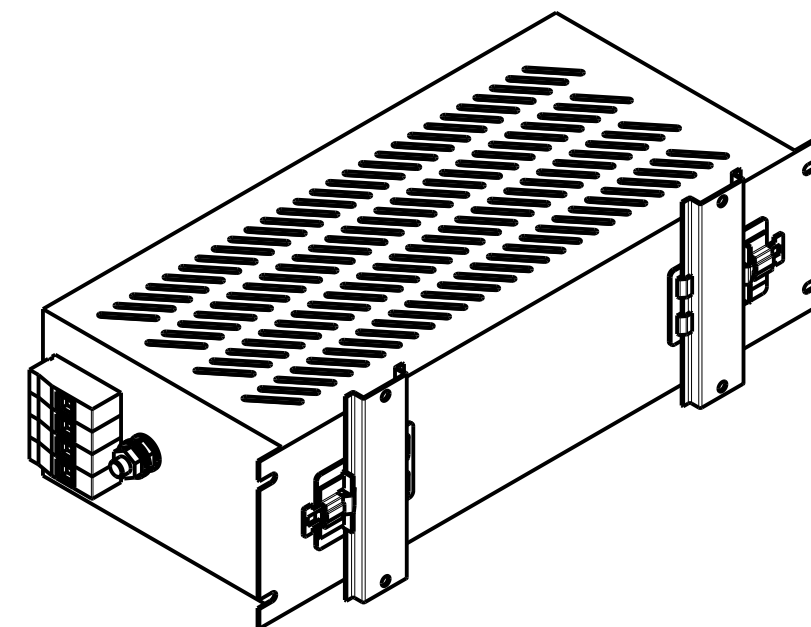
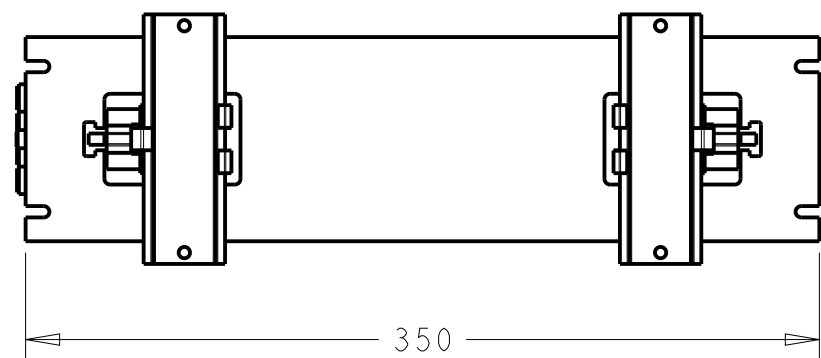
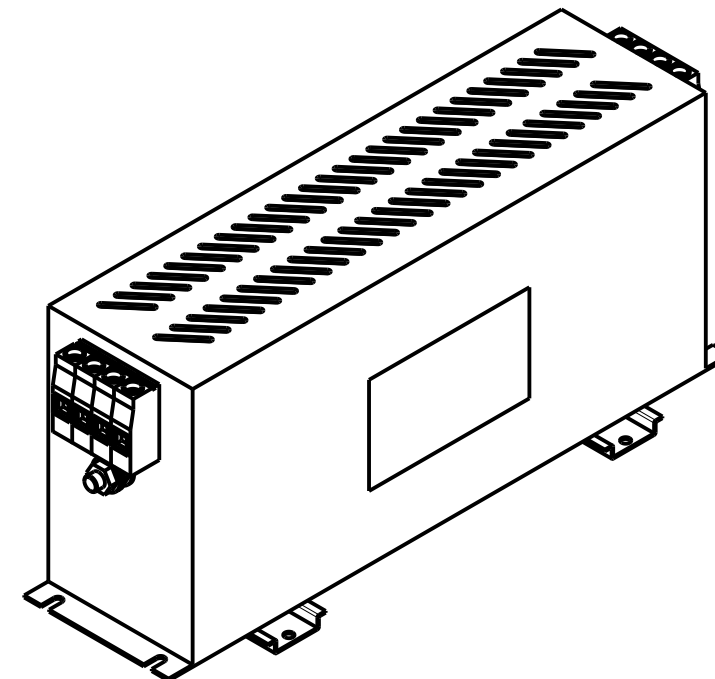
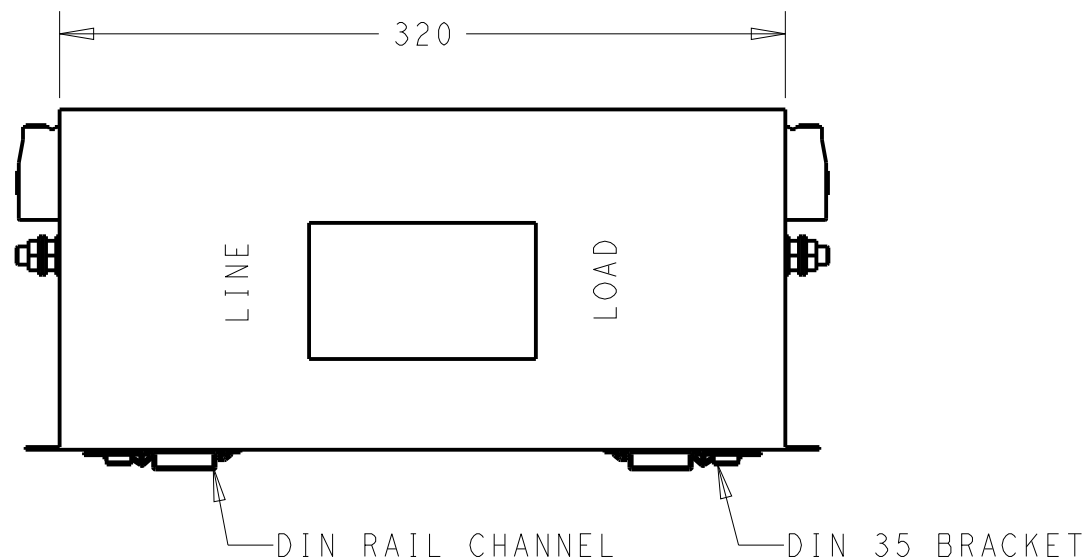
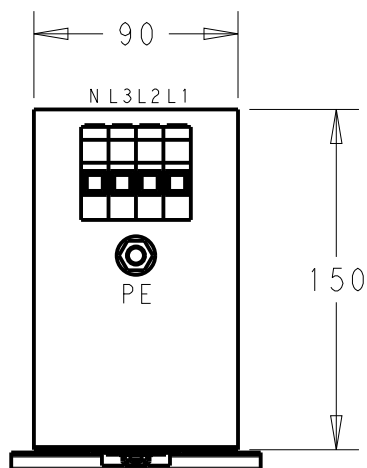
NOTE 1 GROUND CONNECTION:  
 FOR ELECTRICAL SAFETY AND FILTER PERFORMANCE  
 UNIT MUST HAVE A GOOD GROUND CONNECTION.  
 TORQUE OUTER TERMINAL SCREWS: 2-2.2Nm / 18 -19.8 in.lbs  
 TORQUE GROUND NUTS: 3.5-6Nm

NOTE 2 INPUT OUTPUT CONNECTION TERMINAL  
 AWG SIZE: 12-8 AWG  
 WIRE SECTION: 16mm<sup>2</sup>  
 THREADED BOLT SIZE FOR GROUND: M8

NOTE 3 SUPPLIED WITH DIN RAIL BRACKET.

NOTE 4 DRAWING SHOWS DIN RAIL FOR REFERENCE ONLY.

REVISIONS					
P	LTR	DESCRIPTION	DATE	DWN	APVD
		SEE SHEET 1			



THIS DRAWING IS A CONTROLLED DOCUMENT.		DWN	21APR2021	<b>TE</b> TE Connectivity
		CHK	21APR2021	
		APVD	21APR2021	
		NAME	POWER LINE FILTER FOR DIN 35 RAIL INSTALLATION 75KEVD10BBSWHM	
DIMENSIONS: mm		PRODUCT SPEC		
		TOLERANCES UNLESS OTHERWISE SPECIFIED:		
		0 PLC	±0.5	
MATERIAL		1 PLC	±0.40	
		2 PLC	±0.130	
		3 PLC	±0.0500	
		4 PLC	±	
		FINISH		
		WEIGHT		
		CUSTOMER DRAWING	SCALE 3:10	RESTRICTED TO
			SHEET 2 OF 2	REV A