

NOTES:

1- MATERIAL:

HOUSING: LCP GLASS FILLED UL 94V0, COLOUR: BLACK
 TERMINAL: COPPER ALLOY PLATED WITH:
 BASE FINISH: NICKEL
 CONTACT SURFACE FINISH:
 GOLD
 OR
 GOLD FLASH OVER PALLADIUM NICKEL.
 EXCEEDS PRODUCT REQUIREMENTS BASED ON PS-95501

SOLDER PEGS: COPPER ALLOY PLATED WITH TIN.

2- JACK FOR MATING WITH IEC 60603-7 & TIA-1096-A PLUGS (MOLEX 90075 SERIES).

3- PRODUCT SPECIFICATION: MOLEX PS-95501

4- POLYIMIDE ADHESIVE TAPE FOR PICK & PLACE SURFACE. THICKNESS: 125 μm

5- PACKAGING SPECIFICATION: MOLEX PK-85502. (BLISTER PACKAGING).

6- COPLANARITY OF SIGNAL LEADS: 0.10

7- SEE DIMENSIONS IN CHART ON SHEET 2.

8- P.C. BOARD THICKNESS: 1.57

9- MANUFACTURING I.D. CAN BE EITHER MG, MXF OR MXI.

10- APPLICATION SPEC: AS-85513-001

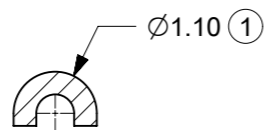
LAST INSPECTION NUMBER: 14

CHANGED PROD SPEC EC NO: IPG2013-0771 DRWN:DBYRNES 2012/11/23 CHKD: APPR:STGRIFFIN 2012/12/13	DESCRIPTION REV	QUALITY SYMBOLS	GENERAL TOLERANCES (UNLESS SPECIFIED)	DIMENSION STYLE	SCALE	DESIGN UNITS	THIRD ANGLE PROJECTION	
		▽=0 Ⓢ=0	mm INCH 4 PLACES ± --- ± --- 3 PLACES ± --- ± --- 2 PLACES ± 0.25 ± --- 1 PLACE ± 0.35 ± --- ANGULAR ± 2 °	MM ONLY	5:1	METRIC	☉ □ THIRD ANGLE PROJECTION	
			DRAFT WHERE APPLICABLE MUST REMAIN WITHIN DIMENSIONS	DRAWN BY: DB DATE: 2006/06/12 CHECKED BY: EOMAHONY DATE: 2006/06/15 APPROVED BY: EOMAHONY DATE: 2006/06/15	TITLE	R/A LOW PROFILE P.C.JACK SMT; 4,6 & 8 CKTS WITH THROUGH HOLE SOLDER PEGS		
				MATERIAL NO. SEE CHART SHT 2	MOLEX INCORPORATED DOCUMENT NO. SD-85502-103	SHEET NO. 1 OF 2		

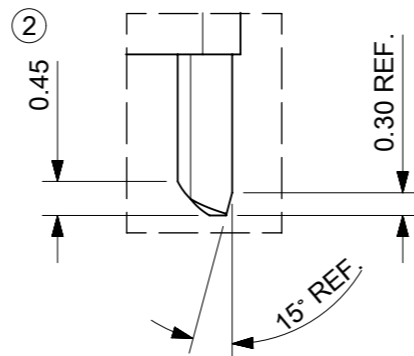
NOTE 9.

(SEE NOTE 7)

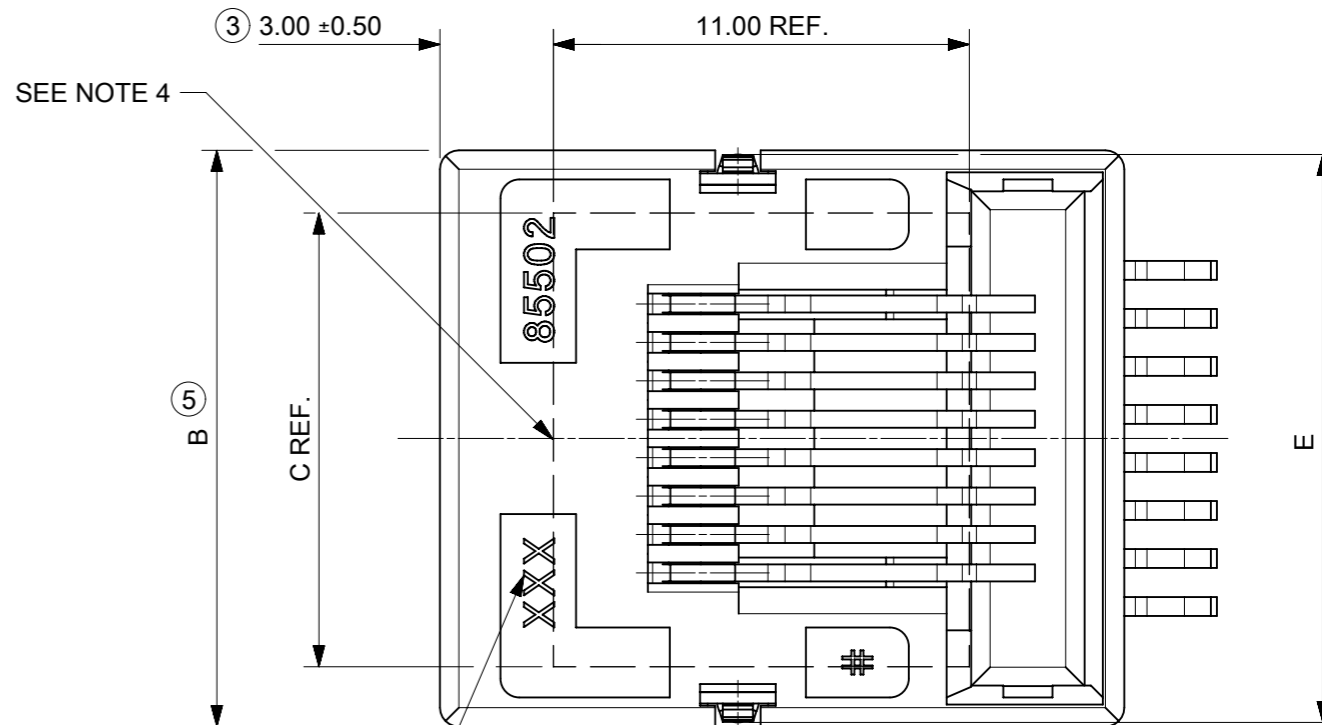
SEE DETAIL X



SECTION V-V
(SCALE 10:1)



DETAIL X
(SCALE 10:1)



SEE NOTE 4

SEE NOTE 9.

NOTES:

1. MATERIAL:
HOUSING: LCP GLASS FILLED UL 94-V0, COLOUR: BLACK
TERMINAL: COPPER ALLOY PLATED WITH:
BASE FINISH: NICKEL
CONTACT SURFACE FINISH:
GOLD
OR
GOLD FLASH OVER PALLADIUM NICKEL.
EXCEEDS PRODUCT REQUIREMENTS BASED ON PS-95501

SOLDER PEGS: COPPER ALLOY PLATED WITH TIN.

2. JACK FOR MATING WITH IEC 60603-7 & TIA-1096-A PLUGS
(MOLEX 90075 SERIES)

3. PRODUCT SPECIFICATION: MOLEX PS-95501

4. POLYIMIDE ADHESIVE TAPE FOR PICK & PLACE SURFACE.
THICKNESS: 125µm.

5. PACKAGING SPECIFICATION: MOLEX PK-85502
(BLISTER PACKAGING).

6. COPLANARITY OF SIGNAL LEADS: 0.10

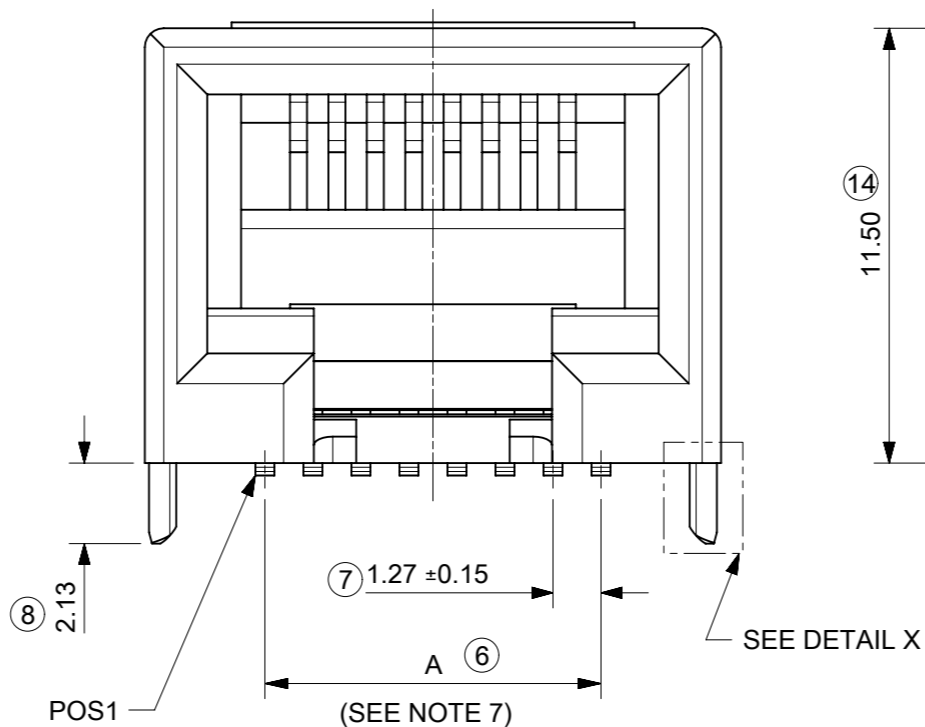
7. SEE DIMENSIONS IN CHART ON SHEET 2.

8. P.C. BOARD THICKNESS: 1.57

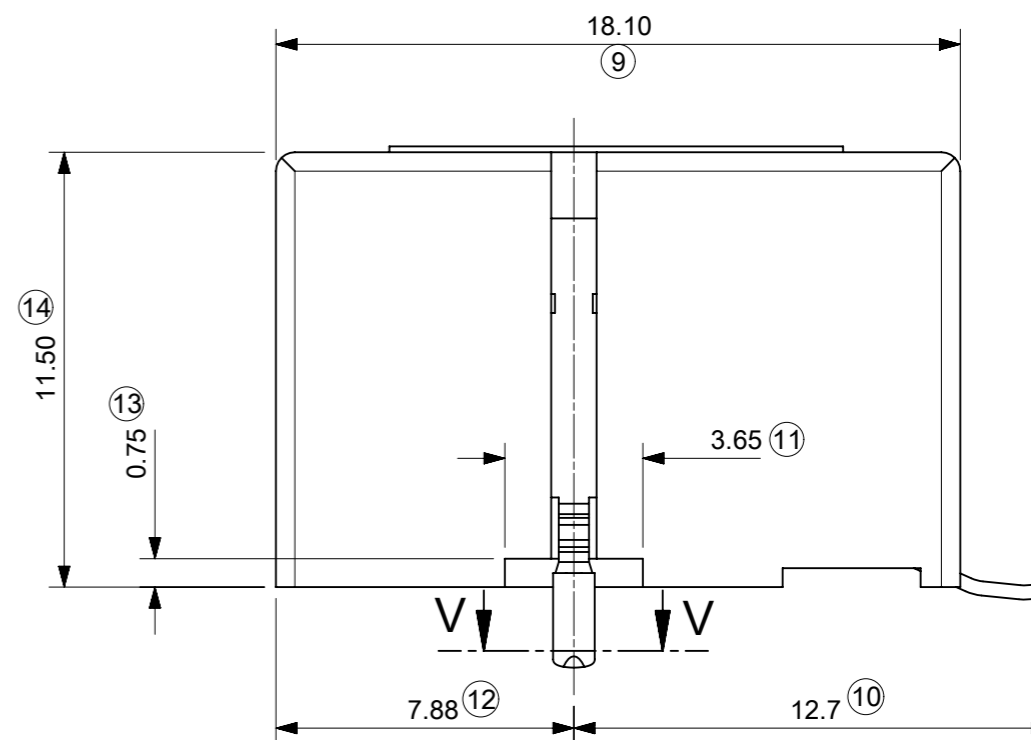
9. MANUFACTURING I.D. MAY BE EITHER MG, MXF, MXI OR MXCH.

10. APPLICATION SPEC: AS-85513-001

LAST INSPECTION NUMBER: 15

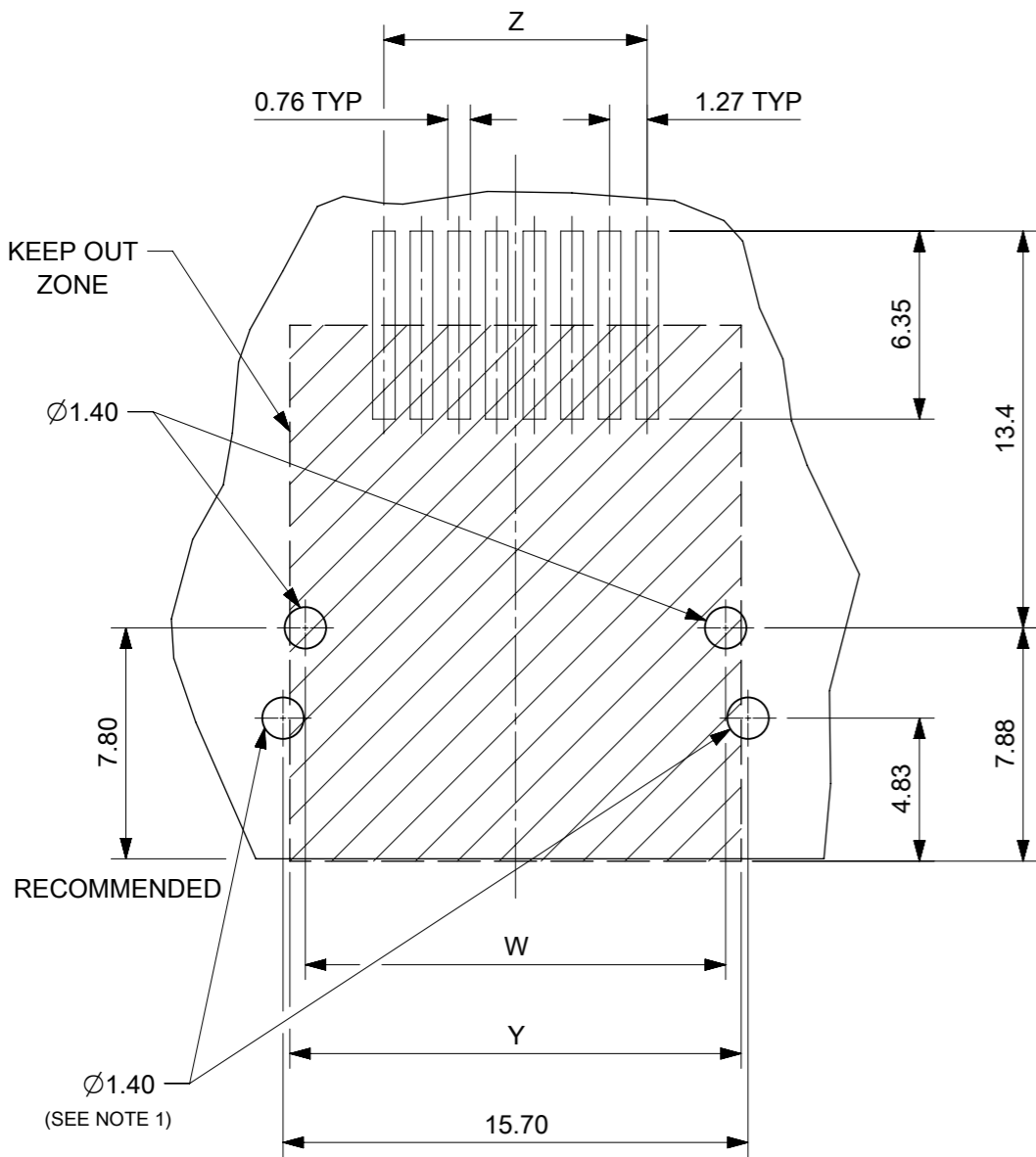


SEE DETAIL X



THIS DRAWING CONTAINS INFORMATION THAT IS PROPRIETARY TO MOLEX ELECTRONIC TECHNOLOGIES, LLC AND SHOULD NOT BE USED WITHOUT WRITTEN PERMISSION									
DIMENSION UNITS		SCALE		CURRENT REV DESC: REMASTERED USING 3D MODELS					
mm		5:1		<p>RIGHT ANGLE LOW PROFILE SMT PC JACK WITH THROUGH HOLE SOLDER PEGS</p> <p>PRODUCT CUSTOMER DRAWING</p>					
GENERAL TOLERANCES (UNLESS SPECIFIED)									
ANGULAR TOL ± 2.0°									
4 PLACES ±		EC NO: 686811							
3 PLACES ±		DRWN: AKUMAR19 2021/08/02							
2 PLACES ± 0.25		CHK'D: KLANG 2022/01/10							
1 PLACE ± 0.35		APPR: KLANG 2022/01/10		INITIAL REVISION:		DOCUMENT NUMBER		DOC TYPE DOC PART REVISION	
0 PLACES ±		DRWN: DBYRNES 2006/07/04		SD-85502-103		PSD		002 E2	
DRAFT WHERE APPLICABLE MUST REMAIN WITHIN DIMENSIONS		THIRD ANGLE PROJECTION		DRAWING		SERIES		MATERIAL NUMBER CUSTOMER SHEET NUMBER	
		A3-SIZE		85502		SEE CHART		GENERAL MARKET 1 OF 2	

- NOTES:
 1. TWO OPTIONAL HOLES FOR THE 8 POSITION - VERSION FOR THE COMPABILITY WITH THE INTERNAL SHIELDED VERSION.
 2. PLATING SEE SHEET 1.



P.C.B. MOUNTING PATTERNS (THROUGH HOLE SOLDER LEGS VERSION)
 VIEW FROM COMPONENT SIDE (SCALE 4:1)
 ALL DIMENSIONS REF DIMENSIONS

	PART NUMBERS FOR SMT JACK WITH THROUGH HOLE SOLDER PEGS								
	HOUSING COLOR	POS. 4 4 CKTS.	TOOLED	POS. 6 4 CKTS.	TOOLED	POS. 6 6 CKTS.	TOOLED	POS. 8 8 CKTS.	TOOLED
STANDARD VERSION	BLACK	85502-5009	X	85502-5010	X	85502-5011	X	85502-5012	X

DIM. \ TYPE	POS. 4	POS. 6		POS. 8
	4 CKTS.	4 CKTS.	6 CKTS.	8 CKTS.
A ± 0.15	3.81	3.81	6.35	8.89
B	11.18	13.21	13.21	15.24
C (REF)	8.50	8.50	8.50	12.00
E	11.08	13.11	13.11	15.14
W ± 0.05	10.13	12.16	12.16	14.19
Y (REF)	11.18	13.21	13.21	15.24
Z ± 0.05	3.81	3.81	6.35	8.89

THIS DRAWING CONTAINS INFORMATION THAT IS PROPRIETARY TO MOLEX ELECTRONIC TECHNOLOGIES, LLC AND SHOULD NOT BE USED WITHOUT WRITTEN PERMISSION											
DIMENSION UNITS mm	SCALE 5:1	CURRENT REV DESC: REMASTERED USING 3D MODELS									
GENERAL TOLERANCES (UNLESS SPECIFIED)		EC NO: 686811									
ANGULAR TOL	± 2.0 °	DRWN: AKUMAR19 2021/08/02			RIGHT ANGLE LOW PROFILE SMT PC JACK WITH THROUGH HOLE SOLDER PEGS						
4 PLACES	±	CHK'D: KLANG 2022/01/10			PRODUCT CUSTOMER DRAWING						
3 PLACES	±	APPR: KLANG 2022/01/10			DOCUMENT NUMBER						
2 PLACES	± 0.25	INITIAL REVISION:			2006/07/04		SD-85502-103		DOC TYPE	DOC PART	REVISION
1 PLACE	± 0.35	DRWN: DBYRNES 2006/07/04			2006/07/07		PSD		002	E2	
0 PLACES	±	APPR: EOMAHONY			SERIES		MATERIAL NUMBER		CUSTOMER		
DRAFT WHERE APPLICABLE MUST REMAIN WITHIN DIMENSIONS		THIRD ANGLE PROJECTION	DRAWING	A3-SIZE	85502	SEE CHART		GENERAL MARKET		SHEET NUMBER	
										2 OF 2	